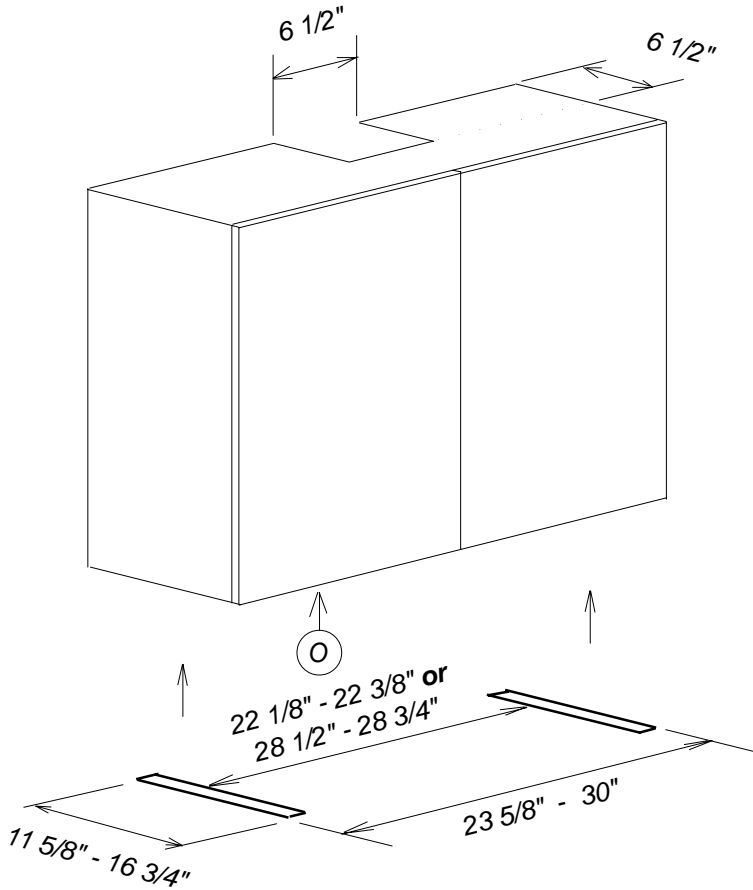


# Product and Cut-out Dimensions

## Built-in Ventilation System

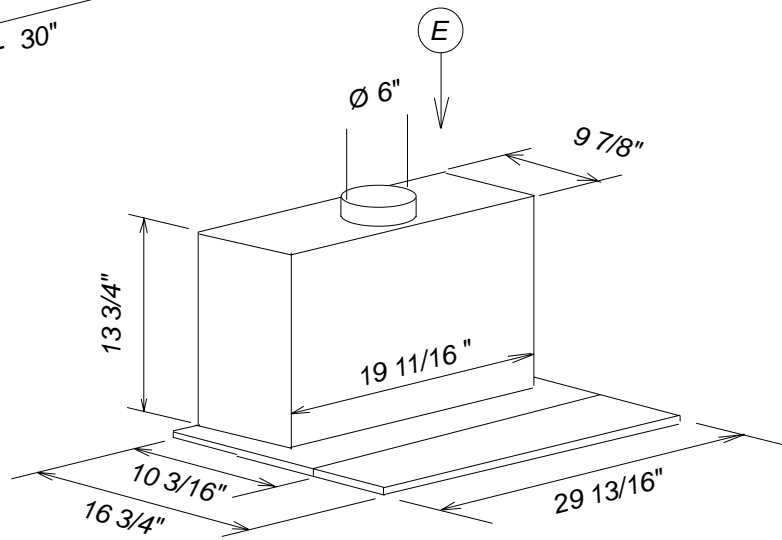
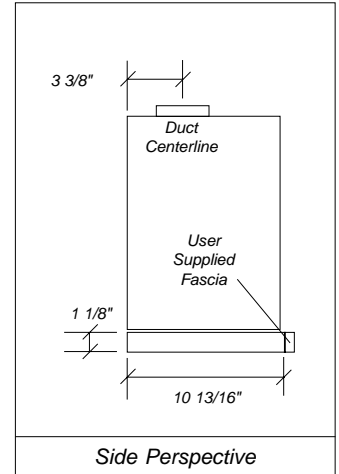
### DA3180



**IMPORTANT INFORMATION**

Unit must be installed through the front of the cabinet. Cabinet should not be designed with lower rail.

Unit may be installed in cabinets with the following widths: 24", 30", 60cm



Location Codes	
E -	5 foot - 120 Volt - 15 Amp 3-wire molded plug power supply connects right rear top.
O -	Standard 110 Volt outlet
Notes	
<ul style="list-style-type: none"> <li>The following minimum spacing must be maintained between hood and:</li> </ul>	
Electric cooktops:	18 inches
Gas cooktops:	26 inches
Open electric grill:	26 inches
<ul style="list-style-type: none"> <li>All installations must be done in accordance with local codes.</li> </ul>	