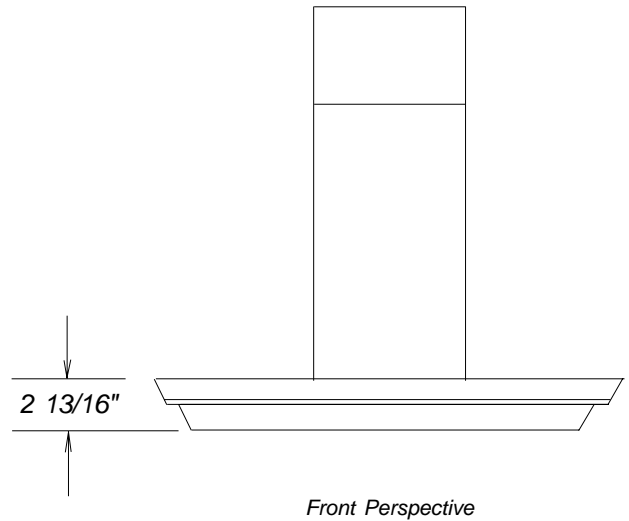
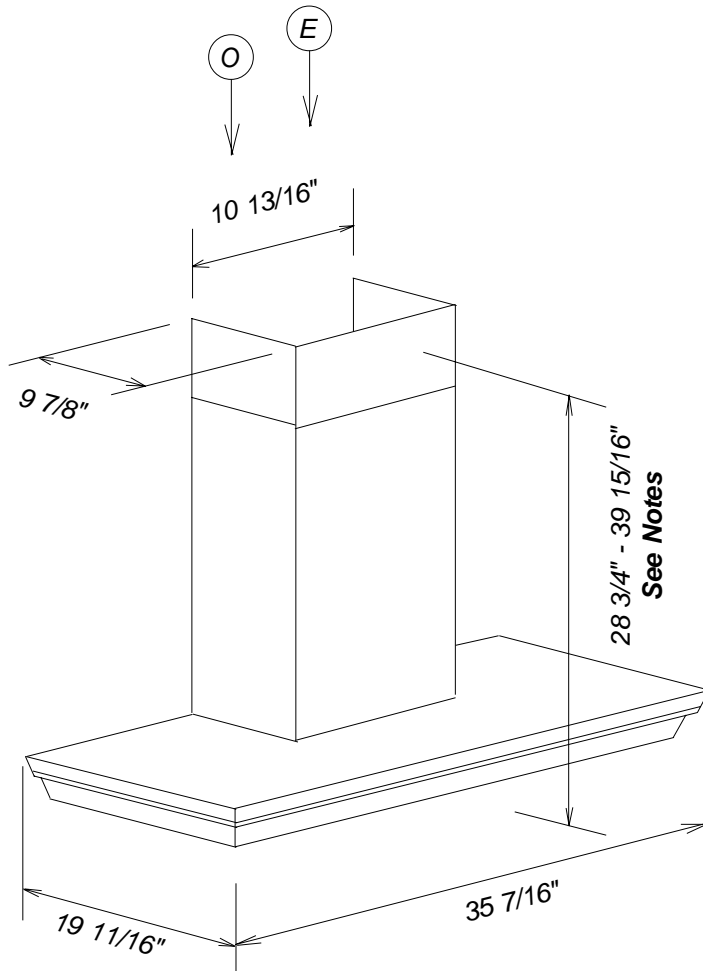


Product Dimensions

Decorator Wall Hood

DA279-3



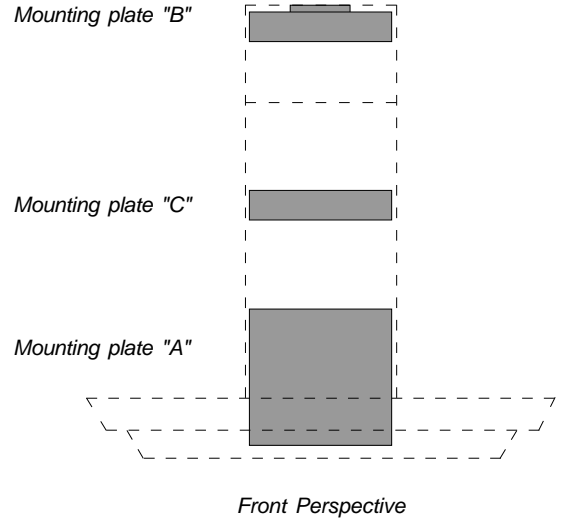
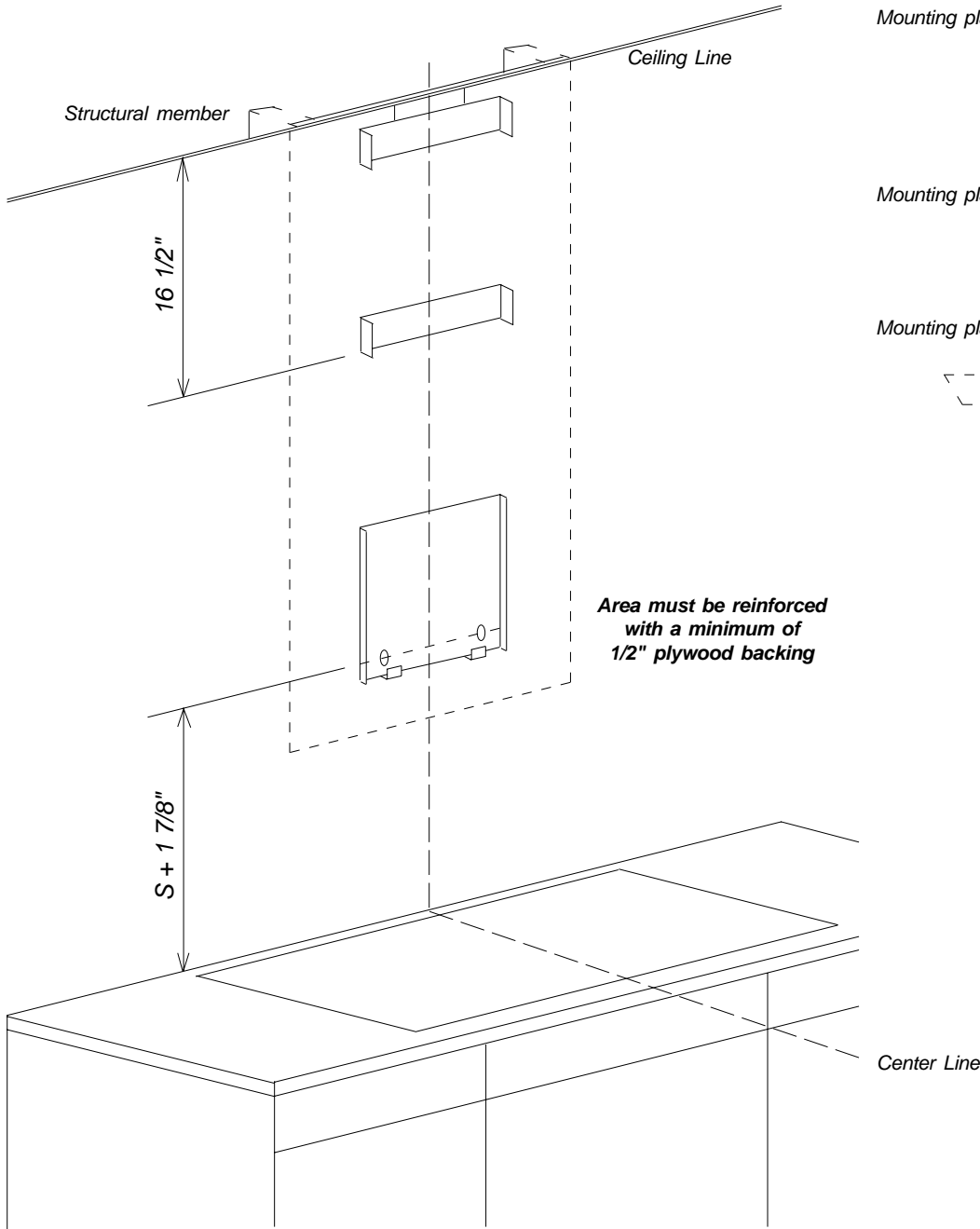
Location Codes
E - 110 Volt - 15 Amp 3-wire molded plug power supply connects through top or rear of chimney. O - Standard 110V Outlet
Notes
<ul style="list-style-type: none"> All installations must be done in accordance with local codes. Recirculation: $32 \frac{5}{16}$" - $43 \frac{5}{16}$" 6" duct connects to blower system inside chimney.

NOTE: Drawing is not to scale.
SPECIFICATION SHEETS 010405

Installation Dimensions

Decorator Wall Hoods

DA279-3



Area must be reinforced with a minimum of 1/2" plywood backing

Notes
<ul style="list-style-type: none"> • Center unit over cooking surface • Distance "S" is determined by the cooking surface. Minimum distance "S" is: <ul style="list-style-type: none"> - 18" for electric surfaces - 26" for gas surfaces • Area behind mounting plates MUST be reinforced using a minimum of 1/2" plywood. Reinforcing material should be affixed to structural wall members