



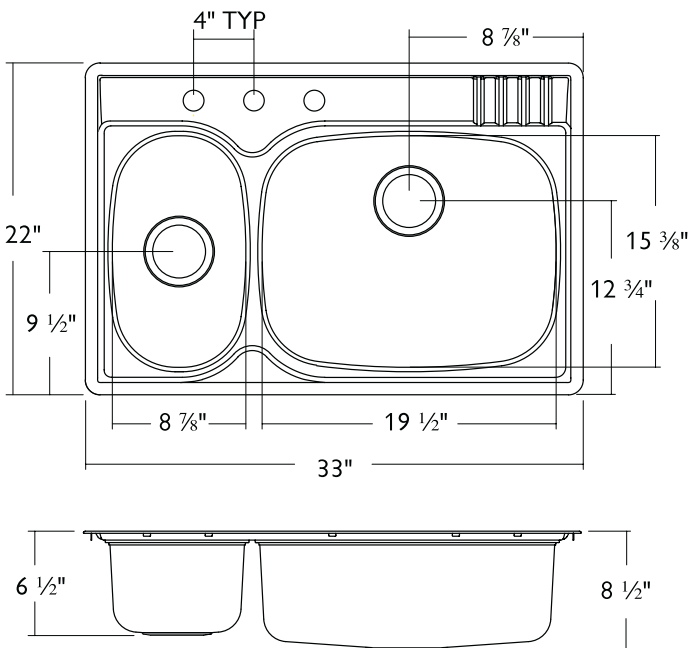
3050 Campus Drive, Suite 500 • Hatfield, PA 19440  
Customer Service: 1.800.626.5771

- **18-8 Stainless Steel**
- **Sound Deadening Pads**
- **Integrated Installation Rails**  
With pre-attached clips
- **Limited Lifetime Buyer Warranty**



Fits 36" Cabinet

Model #	Faucet Holes	Finish Deck/Bowl	Bowl Size ↕ × ↔	Sink Depth	Overall Dimension	Gauge	Cutout Dimension
CL2233/85K/1	1	Silk	L: 15 3/8" x 8 7/8"	L: 6 1/2"	22" x 33"	20	21 1/4" x 32 1/4"
CL2233/85K/3	3		R: 15 3/8" x 19 1/2"	R: 8 1/2"			1" Radius
CL2233/85K/4	4						



JOB NAME: \_\_\_\_\_

DATE: \_\_\_\_\_

CUSTOMER: \_\_\_\_\_

MODEL SPECIFIED: \_\_\_\_\_

QUANTITY: \_\_\_\_\_

ARCHITECT/ENGINEER: \_\_\_\_\_

CONTRACTOR: \_\_\_\_\_