



Under Cabinet or Wall Mount

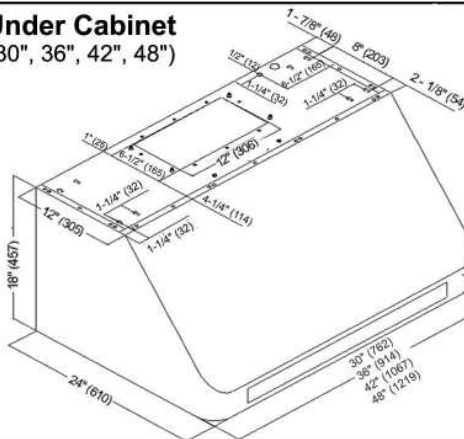
*So Quiet...
You Won't Believe It's On!*

CH-101 Series

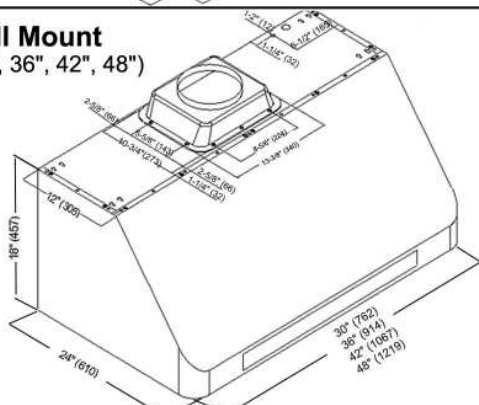


Appearance	
Stainless Steel	•
Seamless	•
Performance	
CFM **	400 to 1000
Sone / Decibel	1.4 to 8.0 / 45dB to 70dB
QuietMode™	1.4 Sones / 45dB
Features	
Halogen Light	12V 20W x 2 (30", 36", 42") - 2 Level Lighting
	12V 20W x 3 (48") - 2 Level Lighting
Heat Lamp	2 Heat Lamp Sockets Included (175W Bulbs Not Included)
Power Supply	120V 60Hz
No. of Speed	4 (Touch Sensor Screen)
Fan Type	Double Horizontal Squirrel Cage
Ducting	Top Transition Rectangular to 8" Round
Filter	Baffle (30", 36", 42" - x 2), (48" - x 3)
Optional Accessories	
Duct Cover	CH0030DC-12 (30")
	CH0036DC-12 (36")
	CH0042DC-12 (42")
	CH0048DC-12 (48")
Stainless Steel Back Splash	SSP30 (30" x 32"), SSP36 (36" x 32")

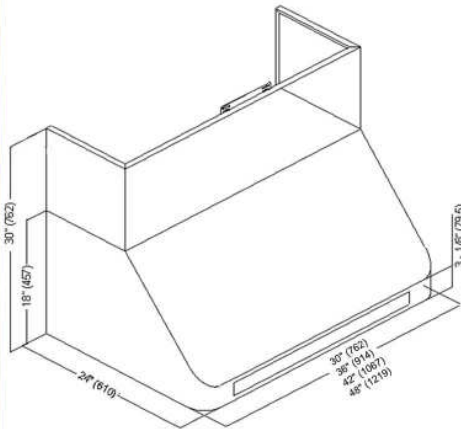
Under Cabinet (30", 36", 42", 48")



Wall Mount (30", 36", 42", 48")

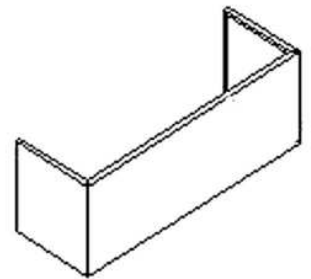


Wall Mount (with Duct Cover)



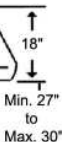
Optional Accessories

Duct Cover



Model No. CH0030DC-12
CH0036DC-12
CH0042DC-12
CH0048DC-12

Cabinet or
Duct Cover



Countertop



Information subject to change without notice.
Measurement in inches (mm). Inches are converted from millimeter and are estimated.

**HVI test standards.

www.KOBERangeHoods.com

* Building code may vary.
VER. 07/02/13