

## Model 700BC(I) Combination Refrigerator | Freezer Drawers



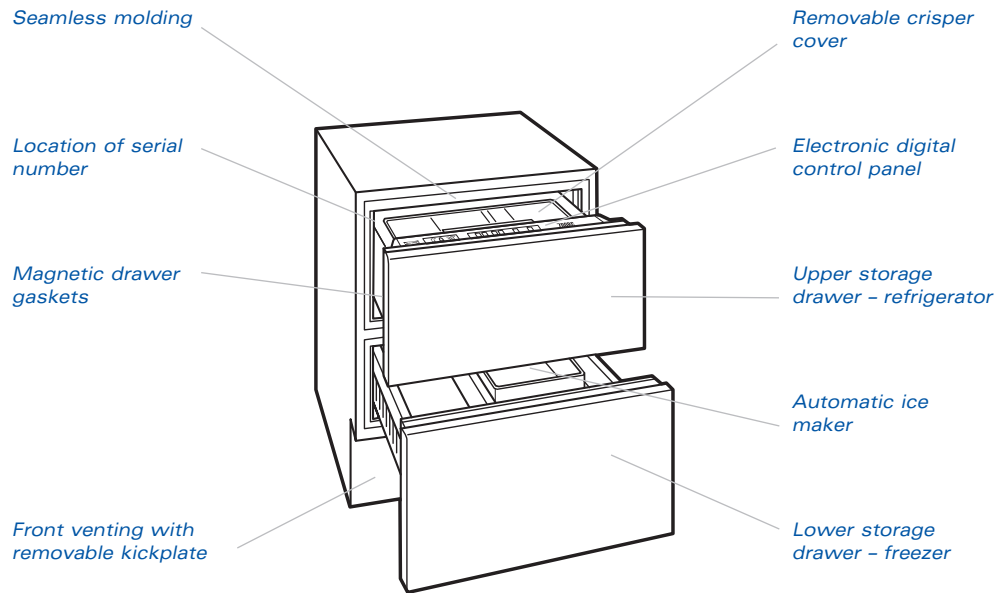
INTEGRATED



Model 700BC



Model 700BCI  
with Ice Maker



These appliances are Star-K certified from the factory to meet strict religious regulations in conjunction with specific instructions found on [star-k.org](http://star-k.org). No extra wiring harness is required.

► The Sub-Zero Model 700BC and 700BCI integrated design accepts custom wood or stainless steel drawer panels. Stainless steel panels and handles are available as sales accessories in three finishes—classic, platinum and carbon.

**C**ombining the best of both worlds, the Model 700BC(I) offers you convenient refrigeration and freezer storage in a compact "footprint." The implications for the installation of this piece are obvious—entertainment centers, recreation rooms, master suites, boardrooms and bars are a few that come instantly to mind.

Temperatures are easily controlled via the handy control panel in the top drawer and Sub-Zero's microprocessor will maintain them precisely. The top refrigerator drawer comes with removable crisper cover.

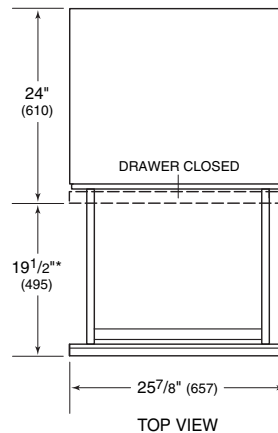
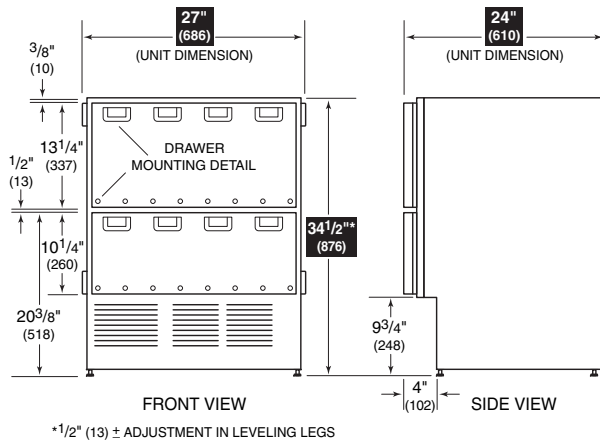
You also have the option of ordering this model with or without an automatic ice maker.

## Model 700BC(I)

### FEATURES

- ▶ Base unit with upper storage drawer- refrigerator and lower storage drawer- freezer
- ▶ Model 700BCI has automatic ice maker
- ▶ Integrated design for "point-of-use" refrigeration anywhere in the home
- ▶ Microprocessor offers precise temperature control for refrigerator and freezer drawers
- ▶ Electronic digital controls are easily accessed in the top refrigerator drawer
- ▶ Flat to the ceiling bright lighting in storage drawers
- ▶ Alarm will let you know with an audible beeping if a drawer is left open
- ▶ Removable crisper cover with a clear view window and removable divider in refrigerator storage drawer
- ▶ Meets strict Department of Energy requirements
- ▶ UL approved for US and Canada
- ▶ Two, five and twelve year residential warranty - exclusions apply; warranty information can be found on our website, [subzero.com](http://subzero.com)

### OVERALL DIMENSIONS



Dimensions may vary by ±1/8" (3).

Dimensions in parentheses are in millimeters unless otherwise specified.



## Model 700BC(I)



INTEGRATED

### MODEL OPTIONS ▼

Combination Refrigerator/ Freezer Drawers	700BC
Combination Refrigerator/ Freezer Drawers with Automatic Ice Maker	700BCI

### PANEL OPTIONS ▼

Integrated (custom panels)	
Classic Stainless Steel Finish	/S
Platinum Stainless Steel Finish	/P
Carbon Stainless Steel Finish	/B

*Stainless steel drawer front panels are ordered and shipped as sales accessories and include tubular handles.*

### ACCESSORIES

- ▶ Tubular handles in classic, platinum and carbon stainless steel
- ▶ Dozen egg container with lid
- ▶ Dual installation heater kit (BBDUAL)

*Accessories are available through your Sub-Zero dealer. To obtain local dealer information, visit the Locator section of our website, [subzero.com](http://subzero.com).*

### SPECIFICATIONS ▼

Model 700BC(I)	Combination Refrigerator/ Freezer Drawers
Overall Width	27" (686)
Overall Height	34 1/2" (876)
Overall Depth	24" (610)
Refrigerator Capacity	2.9 cu ft (82 L)
Freezer Capacity	2.1 cu ft (59 L)
Minimum Height (levelers in)	34" (864)
Drawer Clearance	19 1/2" (495)
Electrical Requirements	115 V AC, 60 Hz, 15 amp circuit
Plumbing Requirements	1/4" copper line
Water Supply	20–100 psi
Annual Energy Usage (based on 8.29 cents per kilowatt hour)	448 kWh / \$38
Shipping Weight	190 lbs (86 kg)
Special Note	Drawer panels and handles are available in three stainless steel finishes

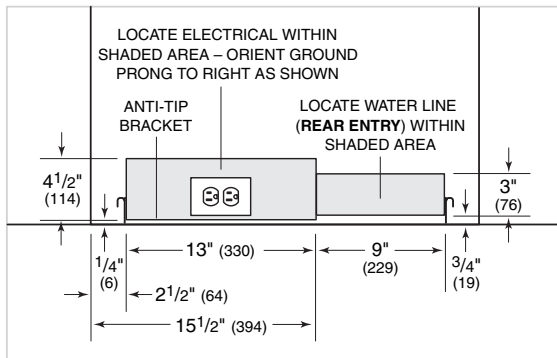
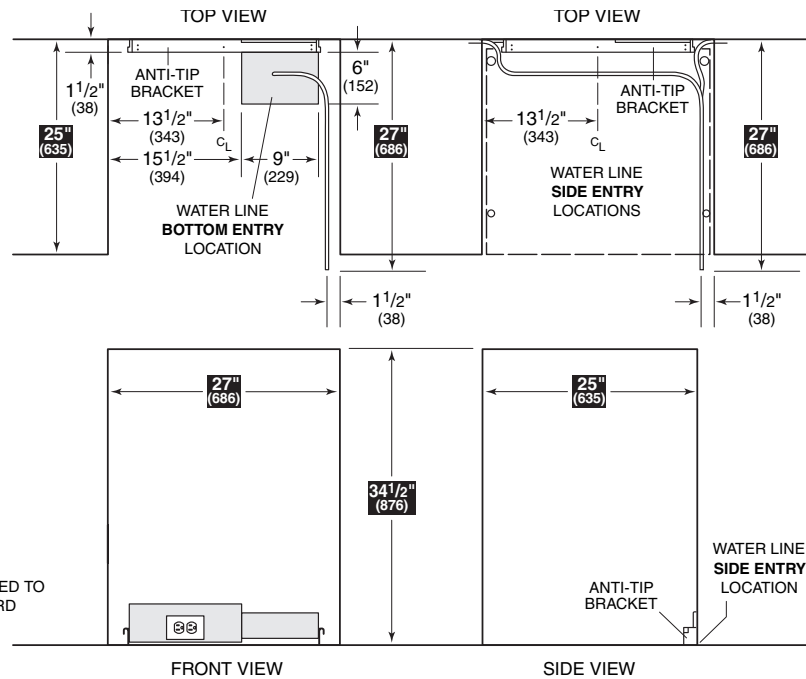
*Specifications are subject to change without notice.*

## Model 700BC(I)

### INSTALLATION SPECIFICATIONS



INTEGRATED



Dimensions may vary by  $\pm 1/8"$  (3).

### DIMENSIONS

Finished Rough Opening Width	27" (686)
Finished Rough Opening Height	34 1/2" (876)
Finished Rough Opening Depth	25" (635)*
Location of Electrical	Within shaded area
Location of Plumbing	Within shaded area

\*The depth of the Model 700BC(I) is 24" (610) from the front of the unit to its back. Your design may necessitate moving the unit back, or cabinets forward to achieve a flush fit. This will require a minimum rough opening depth of 25" (635).

See Installation Instructions shipped with unit for detailed specifications.

Dimensions in parentheses are in millimeters unless otherwise specified.



## Model 700BC(I)

### INSTALLATION NOTES

- ▶ Refer to the illustrations and specifications for overall dimensions, finished rough opening dimensions and installation specifics.
- ▶ **The depth of Model 700BC(I) is 24" (610) from the front of the unit to its back. Your design may necessitate moving the unit back, or cabinets forward to achieve a flush fit. This will require a minimum rough opening depth of 25" (635). Refer to the installation illustration.**
- ▶ The anti-tip bracket must be installed to prevent the unit from tipping forward.
- ▶ Integrated units are compatible with virtually any style of cabinetry. They can be used with framed as well as frameless cabinets.
- ▶ The weight of each drawer panel cannot exceed 12 lbs (5 kg). Drawer panels must be a minimum of  $\frac{5}{8}$ " (16) thick.
- ▶ For the bottom drawer, the maximum panel height is  $16\frac{11}{16}$ " (424). You must keep a minimum space of 4" (102) clear below the bottom edge of the lower drawer panel, so the unit can be properly vented. In addition, any decorative base molding must be removable for possible servicing and cleaning of the condenser.
- ▶ We recommend using D-style handles, which should be located on the top, center area of the drawer panel.
- ▶ Two Integrated units may be installed next to one another. Refer to page 10 for additional information.
- ▶ For Integrated models with an automatic ice maker, rough in the water supply line. Connect a  $\frac{1}{4}$ " OD copper line to the house supply, being sure to use an easily accessible shut-off valve between the supply and the unit. This shut-off valve should not be installed behind the unit.
- ▶ Do not use self-piercing valves. A saddle valve kit (4200880) is available from your Sub-Zero dealer. To obtain local dealer information, visit the Locator section of our website, [subzero.com](http://subzero.com).
- ▶ A line filter is required when water conditions have a high sediment content. The ice maker operates on water pressure of 20 psi (1.4 bar) to 100 psi (6.9 bar). In some cases a reverse osmosis water filter system may not be able to maintain the minimum water pressure consistently.
- ▶ When routing the water through the side walls, you must place the water line within  $\frac{1}{2}$ " (13) of the floor and as close as possible to the back wall. The line must be routed around the anti-tip bracket so it clears the bracket and leveling feet of the unit. Refer to the installation illustration for placement of the water line.
- ▶ Do not route water supply line in front of the compressor tray. The tray must be slid forward for service.
- ▶ Regardless of the routing, allow for 27" (686) of excess copper tubing to remain outside the wall or floor for easy connection to the unit, as shown in the installation illustration.
- ▶ A 115 volt, 60Hz, 15 amp circuit breaker and electrical supply are required. A separate circuit, servicing only this appliance is necessary.
- ▶ All Integrated models are equipped with a power supply cord with a 3-prong grounding plug, which must be plugged into a mating 3-prong grounding type wall receptacle. The electrical outlet must be placed so the grounding prong is to the right of the thinner blades. The outlet must be flush with the back wall. Locate electrical within the shaded area shown in the installation illustration.
- ▶ Do not use an extension cord or two prong adapter. Electrical ground is required on this appliance. Do not under any circumstances remove the power supply cord ground prong.
- ▶ You must follow all National Electrical Code regulations. In addition, be aware of local codes and ordinances when installing your service.
- ▶ The Integrated Installation Guide packed with the appliance will give you step-by-step procedures for making sure the unit is installed properly.



## Model 700BC(I) INTEGRATING CABINETRY



INTEGRATED

### CABINETRY APPLICATIONS

Integrated refrigeration is compatible with virtually any style and look of cabinetry. The models can be used with framed as well as frameless cabinets. Because of the precise application and the look you may want to achieve, there are important questions you need to answer before ordering panels for the drawers. As you look at styles of cabinets, keep some important facts in mind:

**Weight Limitations** – The weight of each drawer panel cannot exceed 12 lbs (5 kg).

**Panel Thickness** – Drawer panels must be a minimum of  $\frac{5}{8}$ " (16) thick.

The toe kick clearance can vary with the height of the lower drawer panel; the maximum panel height is  $16\frac{11}{16}$ " (424). You must keep a minimum space of 4" (102) clear below the bottom edge of the lower drawer panel so the unit can be properly vented.

We recommend using D-style handles. Locate handles in the top center area of the drawer panels.

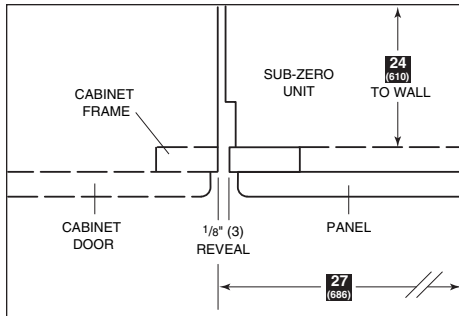
**IMPORTANT NOTE:** The depth of each Integrated unit is 24" (610) from the front of the unit to its back. You **must** allow for the thickness of the panel you are applying when planning for the finished rough opening depth if you want the front panel to be flush with surrounding cabinetry. You may have to move the unit back into drywall or bring the cabinets forward to achieve a flush fit.

## Model 700BC(I) INTEGRATING CABINETRY

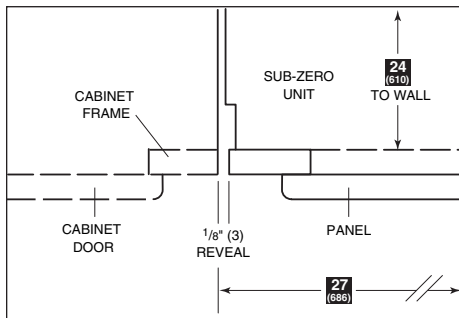


INTEGRATED

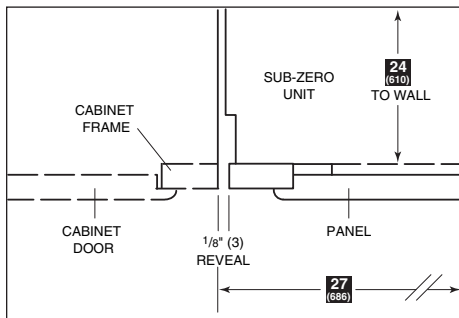
### FRAMED CABINETRY



► Traditional Frame – full overlay.



► Traditional Frame – standard overlay.



► Traditional Frame –  $\frac{3}{8}$ " (10) offset.

### FRAMED CABINETRY APPLICATIONS

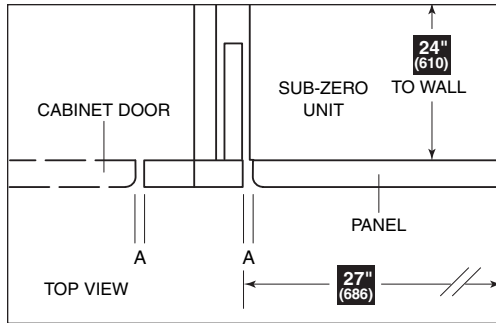
Framed cabinetry applications present you with different questions to address. The illustrations on this page show common applications of framed cabinetry. These are not meant to be the only alternatives, but are suggestions from designers around the country. Also refer to the full-scale illustrations at the end of this section for specifics on door openings.

**IMPORTANT NOTE:** The depth of each Integrated unit is 24" (610) from the front of the unit to its back. You **must** allow for the thickness of the panel you are applying when planning for the finished rough opening depth if you want the front panel to be flush with surrounding cabinetry. You may have to move the unit back into drywall or bring the cabinets forward to achieve a flush fit. Refer to the illustrations.

Illustrations on the following pages give dimensions for an Integrated base or tall unit installed within a framed cabinetry beaded inset application. Review the illustrations, giving particular attention to the overall panel specifications.

## Model 700BC(I)

### FRAMED CABINETRY - BEADED INSET APPLICATION



The illustration shows an Integrated base unit installed within a framed cabinetry beaded inset application.

**IMPORTANT NOTE:** Dimensions are based on a 1/8" (3) reveal. A reveal of up to 1/4" (6) is possible, but panel dimensions need to be adjusted accordingly.

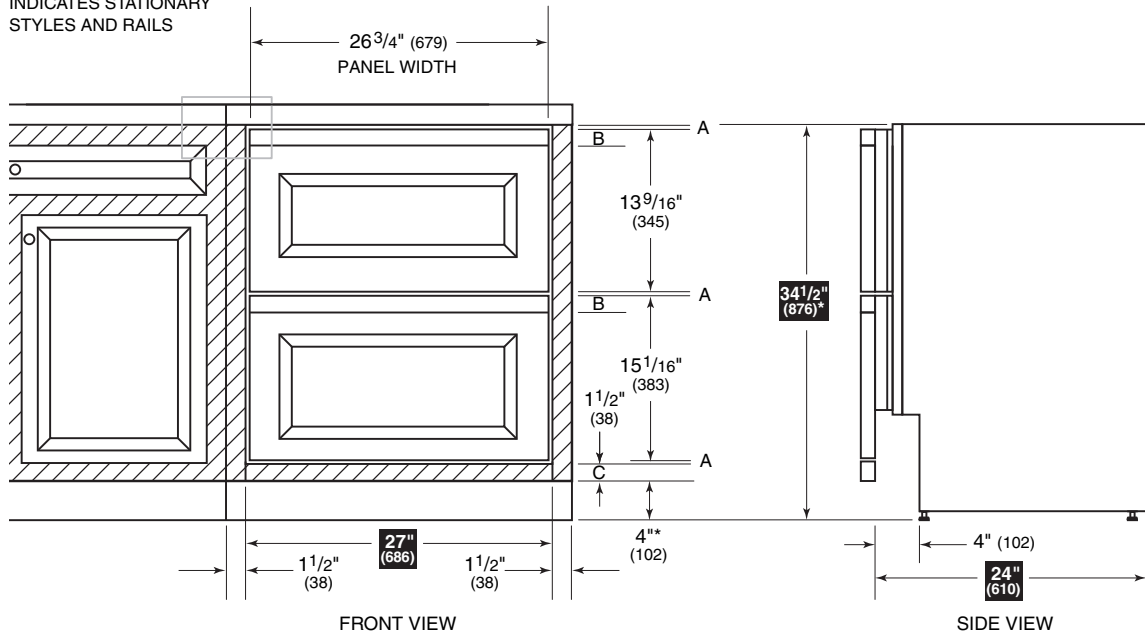
- A) ALL REVEALS ARE 1/8" (3)
- B) DRAWER RAILS ARE ATTACHED TO DRAWER FRONTS
- C) BOTTOM RAIL MUST BE REMOVABLE

\*DIMENSIONS MAY VARY



INTEGRATED

SHADED AREA INDICATES STATIONARY STYLES AND RAILS



Installation of an Integrated base unit within framed cabinetry.

\*Dimensions may vary.

Dimensions in parentheses are in millimeters unless otherwise specified.





### Model 700BC(I)



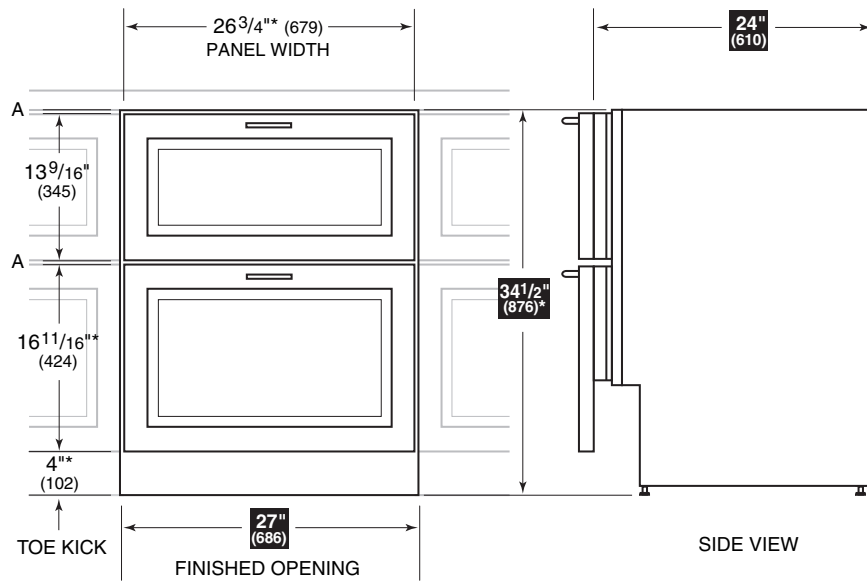
INTEGRATED

### FRAMELESS CABINETRY ▼

### FRAMELESS CABINETRY APPLICATIONS

The illustration below shows a hypothetical installation of an Integrated base unit within frameless cabinetry. Review the illustration, giving particular attention to the overall panel specifications.

**IMPORTANT NOTE:** Dimensions are based on a 1/8" (3) reveal. A reveal of up to 1/4" (6) is possible, but panel dimensions need to be adjusted accordingly.



A) ALL REVEALS ARE 1/8" (3)

\*DIMENSIONS MAY VARY

*Installation of an Integrated base unit within frameless cabinetry.*

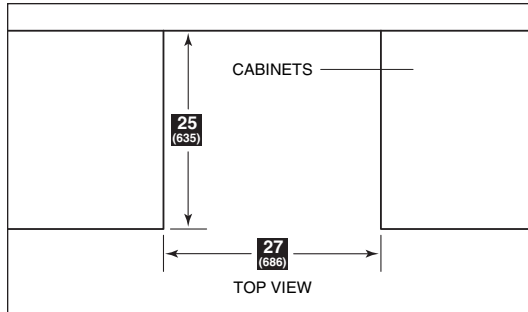
*\*Dimensions may vary.*

*Dimensions in parentheses are in millimeters unless otherwise specified.*

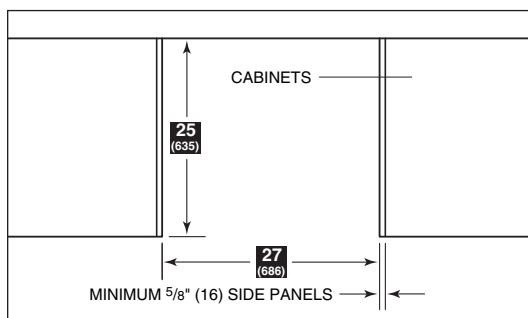
## Model 700BC(I)



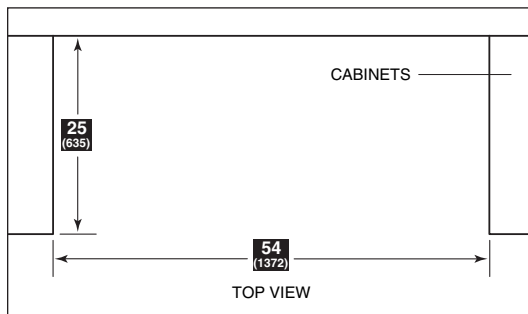
INTEGRATED



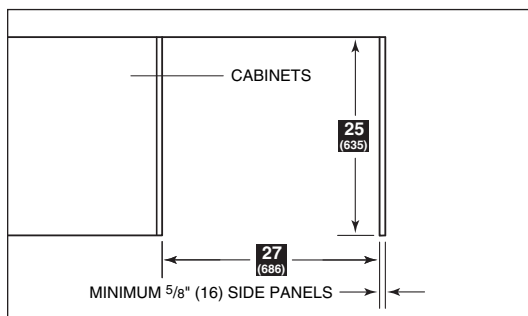
- Installation without side panels.



- Installation with side panels.



- Installation of two units side by side.



- Installation at end of run.

### INSTALLATION OPTIONS

The illustrations on this page show some typical installations and their dimension considerations. The depth dimension in the illustrations may vary depending on cabinet styles, treatment of counter-tops or other design options.

**IMPORTANT NOTE:** The depth of each Integrated model is 24" (610) from the front of the unit to its back. Your design may necessitate moving the unit back, or cabinets forward to achieve a flush fit. This will require a minimum rough opening depth of 25" (635). Refer to the illustrations.

### DUAL INSTALLATIONS

If two or more Integrated models are installed side by side where there is 2" (51) or less of space between the units, a heater kit is recommended—TTDUAL for two tall units installed side by side and BBDUAL for two base units or a base unit and a tall unit installed side by side. These optional components are available through your Sub-Zero dealer.

## Model 700BC(I)



INTEGRATED

### TOE KICK CLEARANCE

The toe kick clearance can vary with the height of the lower drawer panel; the maximum panel height is  $16\frac{11}{16}$ " (424).

**IMPORTANT NOTE:** You must keep a minimum space of 4" (102) clear below the bottom edge of the lower drawer panel so the unit can be properly vented. In addition, any decorative base molding must be removable for possible servicing and cleaning of the condenser.

The illustration below shows the area below the lower drawer where the operating mechanical equipment of the Integrated unit is housed.

**IMPORTANT NOTE:** The depth of each Integrated unit is 24" (610) from the front of the unit to its back. Your design may necessitate moving the unit back, or cabinets forward to achieve a flush fit. This will require a minimum rough opening depth of 25" (635). Refer to the illustration.

### TOE KICK AREA DETAIL ▼

