

Features & Benefits



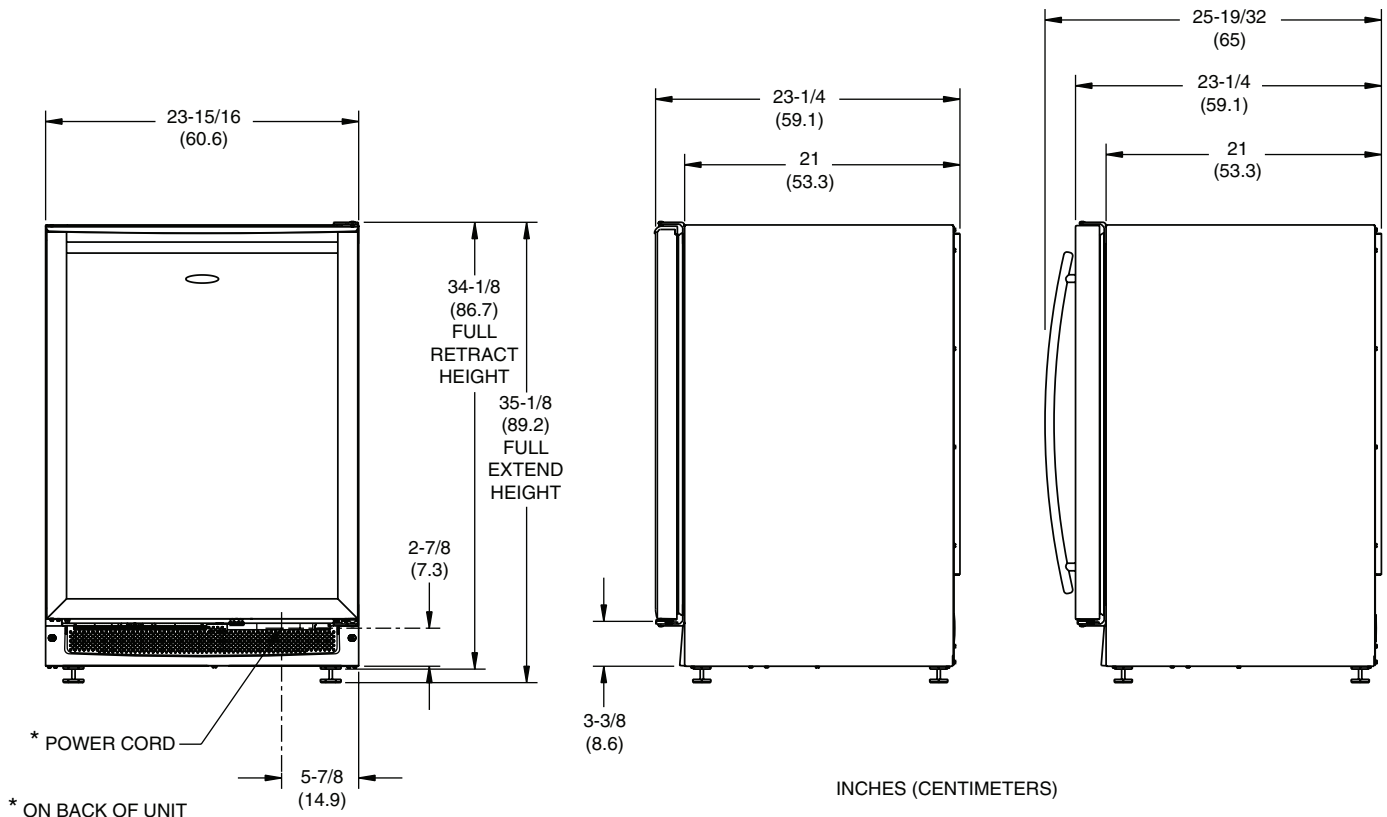
Feature	Benefit
Zones	Maintains wine at their proper serving temperature Top Approximately 55°F (Red) Middle Approximately 50°F (White) Bottom Approximately 45°F (Sparkling) Safely stores three or two types, or a single type, of wine
Stable temperatures	Stable, consistent temperatures provide longer-term storage capability.
Touch Control Digital Technology	<ul style="list-style-type: none"> Elegantly integrated into the bottom maple-trimmed wine rack Provides ability to set the middle temperature and see the temperatures in all three temperature zones Manages key model functions and provides user alerts
Black interior	Elegant visual appearance
Adjustable on/off interior light	<ul style="list-style-type: none"> Automatically illuminates when the door is opened May be manually turned on when door is closed for viewing one's wines Auto shut-off after four hours Recessed so as not to interfere with access to wine
Open door alarm	Audible alert when door is left open
Full extension slide-out vinyl-coated wine racks	Allow for easy access to all wine bottles and prevents bottles from slipping
Contoured maple-trimmed wine racks	Wood can be stained or replaced with a solid surface material to match surrounding décor.
Maple-trimmed display rack	This lower positioned display rack slants your wine bottles at an approximate 40° angle, allowing for an elegant presentation of your wine.
Built-in	Provides custom look. No additional clearance around sides, top or rear of unit for ventilation. Do not obstruct front grille.
Black model	Offers a black elegant integrated handle and grille with a black vinyl-clad steel cabinet
Stainless steel model	<ul style="list-style-type: none"> Offers a seamless stainless steel-trimmed glass door with a sculpted stainless steel handle and a full wrap stainless cabinet, and a stainless-like grille Must order right- or left-hand hinged
Tinted, thermal glass door	Protects wine from potentially harmful ultraviolet light rays
Self-closing door	Ensures a positive door seal and prevents door bounce back
Field-reversible doors	Flexible installation options. Black model only.
Black vinyl-clad cabinet	<ul style="list-style-type: none"> Textured look, more resistant to scratching, peeling or flaking Black model only
Leveling legs	More precise undercounter fit, durable, factory-installed
Sabbath or "Black Out" mode	Easily turn off all lights and control displays. Automatically resets after 36 hours.
Contemporary grille design	Integrates seamlessly with surrounding cabinetry

Dimensions & Specifications

Echelon Series

2175WC

2175WC (Stainless Steel)



Wine Captain® Model 2175WC

Specifications

Shipping Weight:	
Black Models	138 lbs (63 kg)
Stainless Steel Models	145 lbs (66 kg)
(1) Running Amps	2.4
(1) Maximum Start-up Amps	9.8

Capacities

Refrigerator volume	N/A
Freezer volume	N/A
Approximate daily ice production	N/A
Ice storage	N/A
Wine bottle storage (0.75 L)	Up to 48

(1) Amps pertain to a 110/115 volt, 60 Hz electrical environment.

Anchoring device included with unit

Stainless steel model must be ordered right- or left-hand hinged.

Stainless steel models: Allow 2-1/2" clearance on hinge side for 90° door opening when installed against a wall.

To prevent potential interior liner damage, please consult the Installation Guide if you choose to stain the wood trim on the wine racks.

Please visit www.U-Line.com for Installation Guide.
All specifications subject to change without notice.



8900 North 55th Street • Milwaukee, Wisconsin 53223
Phone: 414-354-0300 • Fax: 414-354-7905 • www.u-line.com