

Capacity: Stores up to 43 wine bottles (0.75L)  
 Defrost Type: Automatic (cycle) Defrost  
 Colors: Stainless Steel and Black Glass

*Echelon Series*

## Features & Benefits

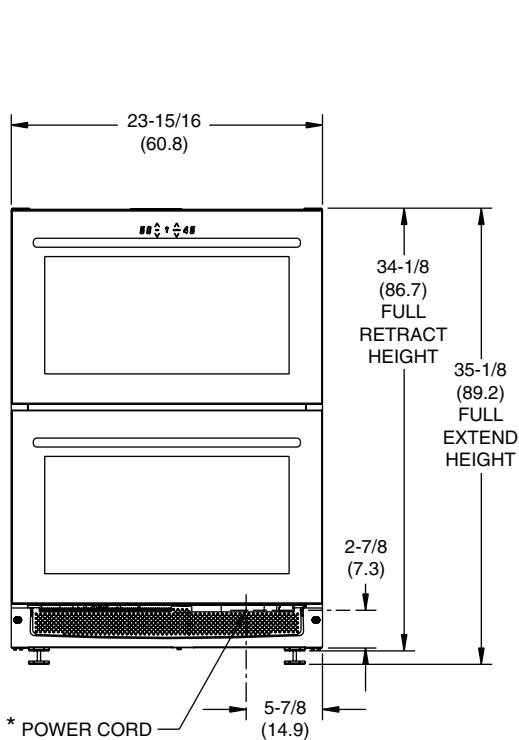


Feature	Benefit
Independently temperature controlled drawers	Temperature in each drawer can be set independently between 40-60°F, providing different storage options.
Touch Control Digital Technology	<ul style="list-style-type: none"> <li>• Full-featured, easy-view command center - right at your fingertips</li> <li>• Easy to set and see the temperature in each Wine Captain Drawer</li> <li>• Manages key model functions and provided user alerts</li> </ul>
Black model	Offers two elegant black glass framed drawer fronts with a black sculpted handle and black vinyl-clad steel cabinet and grille
Stainless steel model	<ul style="list-style-type: none"> <li>• Offers two seamless stainless steel-trimmed glass drawers with a sculpted stainless steel handle and a full wrap stainless cabinet, and a stainless-like grille</li> <li>• Must order right- or left-hand hinged</li> </ul>
Cascading wine racks	<ul style="list-style-type: none"> <li>• Allow for easy access</li> <li>• In both the top and bottom drawers</li> </ul>
Black vinyl-coated wine racks	Prevent bottles from slipping
Adjustable on/off interior light	<ul style="list-style-type: none"> <li>• Automatically illuminates when the door is opened</li> <li>• May be manually turned on when door is closed for viewing one's wines</li> <li>• Auto shut-off after four hours</li> <li>• Recessed so as not to interfere with access to wine</li> </ul>
Contoured maple-trimmed wine racks	Wood can be stained or replaced with a solid surface material to match surrounding décor.
Wine Caddy in bottom drawer	Holds 3 bottles, accessible from either side and allows for convenient transportation of wine
Black vinyl-clad cabinet	<ul style="list-style-type: none"> <li>• Textured look, more resistant to scratching, peeling or flaking</li> <li>• On black and stainless models</li> </ul>
Tinted, thermal glass door	Protects wine from potentially harmful ultraviolet light rays
Built-in	<ul style="list-style-type: none"> <li>• Product designed for built-in look</li> <li>• No additional clearance around sides, top or rear of unit for ventilation. <b>Do not obstruct front grille.</b></li> </ul>
Leveling legs	More precise undercounter fit - durable - factory installed
Sabbath or "Black Out" mode	<ul style="list-style-type: none"> <li>• Easily turns off all lights and control displays</li> <li>• Automatically resets after 36 hours</li> </ul>
Contemporary grille design	Integrates seamlessly with surrounding cabinets

# Dimensions & Specifications

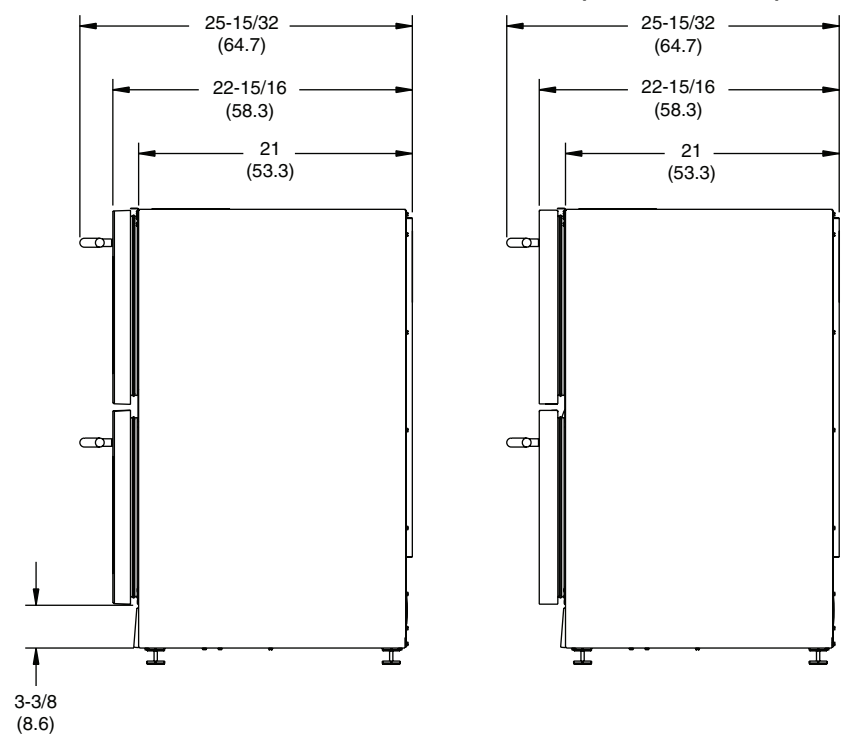
*Echelon Series*

**2175DWRWC**



\* ON BACK OF UNIT

**2175DWRWC  
(Stainless Steel)**



INCHES (CENTIMETERS)

## Wine Captain® Drawer Model 2175DWRWC

### Specifications

Shipping Weight:	
Black Models	158 lbs (72 kg)
Stainless Steel Models	160 lbs (73 kg)
(1) Running Amps	2.4
(1) Maximum Start-up Amps	5.5

### Capacities

Refrigerator volume	N/A
Freezer volume	N/A
Approximate daily ice production	N/A
Ice storage	N/A
Wine bottle storage (0.75 L)	Up to 43

(1) Amps pertain to a 110/115 volt, 60 Hz electrical environment.

Anchoring device included and is required for all installations.

To prevent potential interior liner damage, please consult the Installation Guide if you choose to stain the wood trim on the wine racks.

*Please visit [www.U-Line.com](http://www.U-Line.com) for Installation Guide.  
All specifications subject to change without notice.*



8900 North 55th Street • Milwaukee, Wisconsin 53223  
Phone: 414-354-0300 • Fax: 414-354-7905 • [www.u-line.com](http://www.u-line.com)