

This Data Sheet Includes Information On

**Jenn-Air**

Product Model Number (s):

Ventilation System:  
HV363

Dimensions (Actual Size)

Vent overall depth: 1 3/4"  
Vent overall width: 36"  
Vent cutout depth: see pg. 2  
Vent cutout width: 32 7/8"  
Vent height below countertop: 25 1/4"

Additional Information

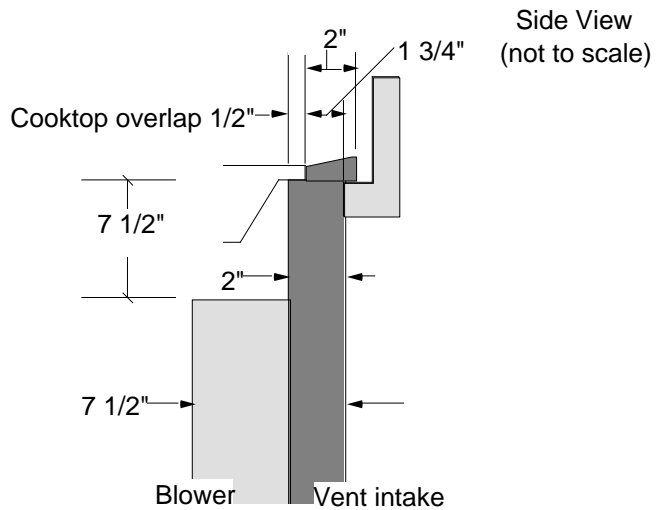
- Follow the cooktop manufacturer's instructions regarding minimum safe clearances and installation location. Failure to do so may result in a fire or safety hazard.
- Maximum duct length: add the straight duct conversions (see page 4) of the fittings used to the amount of straight duct used. The total must be less than: 40 ft. if you use 3 1/4" x 10" duct; 40 ft. if you use 7" round duct. Plan duct system as short and straight as possible.
- Do not exhaust more than one vent into single duct run. Do not vent exhaust air into a wall ceiling or concealed space of the building
- Thermal breaks, such as a short section of non-metallic duct, should be used in areas of extreme cold. A back draft damper at the duct outlet may also be necessary.
- If the kitchen is sealed tightly or the air exhausted cannot be replaced. A make-up air source must be available.
- Designed for installation into standard U.S. made base cabinets.
- Electrical requirement: 120VAC, 60Hz. Locate house junction box relative to the power supply leads on the blower.
- If there is a backsplash with a curved base at the countertop level, then the clearance behind the vent will be reduced. Keep this in mind to avoid interference.

See page 2-3 for more additional information

Subject to change without notice. This system is designed to be updated daily if necessary. Dimension Express is not responsible for use of superseded, voided, or outdated data sheets. Because of the difficulty or impracticability of determining actual damages, liability of Dimension Express shall not exceed \$50.00.

Copyright © Dimension Express, 2002.

234



Cutout vent depth: 1 3/4"

Vent lid depth: 2"

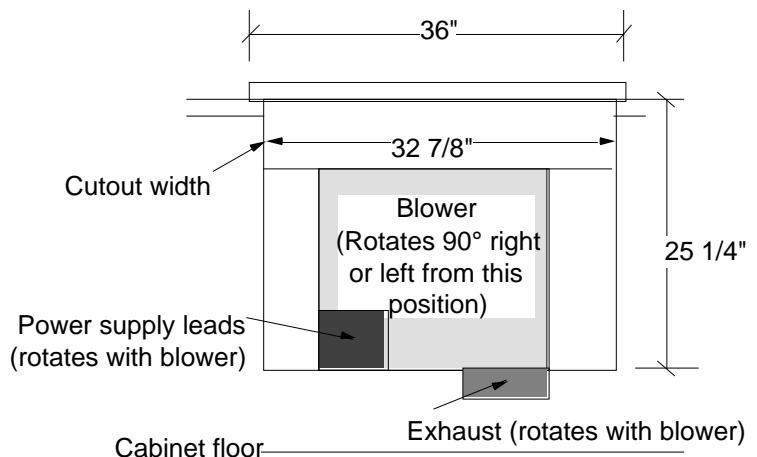
Cooktop overlap: 1/2"

Vent intake depth below cooktop: 2"

Depth below cooktop including blower: 7 1/2"

Distance from countertop to blower: 7 1/2"

Wall View (not to scale)



• NEVER reuse Data Sheets. Data Sheets are subject to change without notice. Dimension Express is a FREE service bureau and is updated daily, it makes far more sense to spend the time necessary to request new Data Sheets for each project, as opposed to the problems, time, costs, and risks associated with reusing old Data Sheets.

- Call Dimension Express if you have any questions at (775) 833-3633 •
- Always refer to a current Code at a Glance or manufacturer directory •
- Data Sheet codes change on the first of odd numbered months at 12:01am •

BN276 • A234B287C150D123 • 032603 • 95654 • 97386

Ventilation System:  
HV363

**Additional Information:**

- If your cabinet differs from the standard 24" deep, 36" high cabinets shown on the following pages, then adjust your cutout locations accordingly to prevent interference.
- Access from the front of the cabinet to the underside of the cooktop, the vent system, and the junction box must be provided for inspection and service. Any drawers or shelves placed below the cooktop and in front of the vent must be easy to remove for access to the cooktop, vent and junction box.
- When installing the cooktop and vent into a laminated or synthetic countertop, follow the countertop manufacturer's instructions regarding the minimum corner radius, use of heat reflective tape, reinforcement of corners, etc.
- Requires 3 1/4" x 10" duct. For maximum performance, it is recommended that this duct be transitioned to 7" round as soon as possible. The blower may be directed down, left, right or through the back. (see page 3)
- Duct cutout may move up to 1 1/2" to left or right.

- Provide a cutout depth and minimum flat countertop DEPTH as follows:

Cutout depth =  
Cooktop cutout depth + Rear overhang of cooktop + 1 3/4"

Total overall depth = Cooktop overall depth + 2"

For installation with a different brand cooktop:

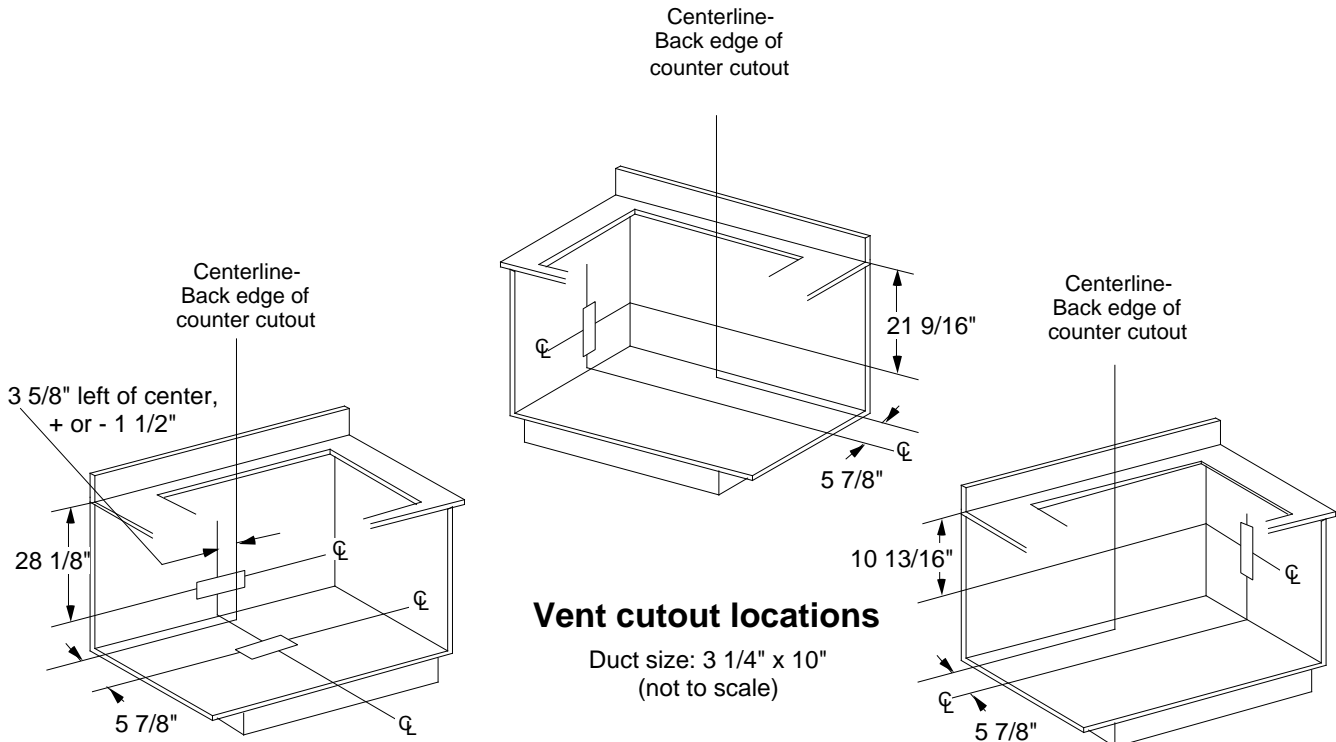
- Provide an opening in the countertop with a width equal to whichever is greater, the vent cutout or the manufacturer's recommended cooktop cutout width.
- If the cutout width required for the cooktop exceeds the vent cutout width by one (1) inch or more, then use a notched cutout. The notched cutout should use the vent cutout width in the rear portion of the cutout and the cooktop cutout width in the front portion.
- Provide a minimum flat countertop width equal to whichever is greater, the vent overall width or the cooktop overall width.

Subject to change without notice. This system is designed to be updated daily if necessary. Dimension Express is not responsible for use of superseded, voided, or outdated data sheets. Because of the difficulty or impracticability of determining actual damages, liability of Dimension Express shall not exceed \$50.00. Copyright © Dimension Express, 2002.

• NEVER reuse Data Sheets. Data Sheets are subject to change without notice. Dimension Express is a FREE service bureau and is updated daily, it makes far more sense to spend the time necessary to request new Data Sheets for each project, as opposed to the problems, time, costs, and risks associated with reusing old Data Sheets.

- Call Dimension Express if you have any questions at (775) 833-3633 •
- Always refer to a current Code at a Glance or manufacturer directory •
- Data Sheet codes change on the first of odd numbered months at 12:01am •

Additional Information:



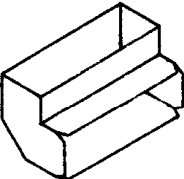
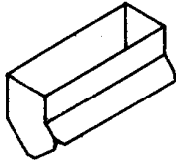
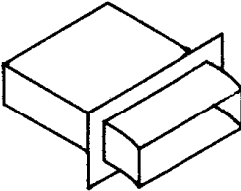
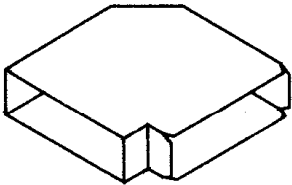
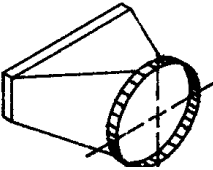
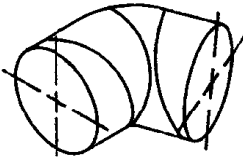

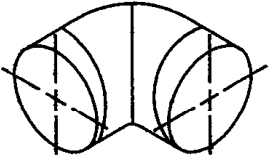
Subject to change without notice. This system is designed to be updated daily if necessary. Dimension Express is not responsible for use of superseded, voided, or outdated data sheets. Because of the difficulty or impracticability of determining actual damages, liability of Dimension Express shall not exceed \$50.00. Copyright © Dimension Express, 2002.

• NEVER reuse Data Sheets. Data Sheets are subject to change without notice. Dimension Express is a FREE service bureau and is updated daily, it makes far more sense to spend the time necessary to request new Data Sheets for each project, as opposed to the problems, time, costs, and risks associated with reusing old Data Sheets.

- Call Dimension Express if you have any questions at (775) 833-3633 •
- Always refer to a current Code at a Glance or manufacturer directory •
- Data Sheet codes change on the first of odd numbered months at 12:01am •

Additional Information:

**Equivalent Straight Lengths**

<p>3 1/4" x 10" 90° Elbow</p>  <p>15 feet</p>	<p>3 1/4" x 10" 45° Elbow</p>  <p>7 feet</p>	<p>3 1/4" x 10" Wall cap</p>  <p>2 feet</p>	<p>3 1/4" x 10" 90° Flat elbow</p>  <p>20 feet</p>
<p>Transition 3 1/4" x 10" to Round</p>  <p>6" Diameter - 4 feet 7" Diameter - 4 feet 8" Diameter - 4 feet</p>	<p>45° Elbow - Round Duct</p>  <p>6" Diameter - 6 feet 7" Diameter - 5 feet 8" Diameter - 3 feet</p>	<p>90° Transition 3 1/4" x 10" to 8" Round</p>  <p>25 feet</p>	<p>90° Elbow - Round Duct</p>  <p>6" Diameter - 12 feet 7" Diameter - 10 feet 8" Diameter - 7 feet</p>

Subject to change without notice. This system is designed to be updated daily if necessary. Dimension Express is not responsible for use of superseded, voided, or outdated data sheets. Because of the difficulty or impracticability of determining actual damages, liability of Dimension Express shall not exceed \$50.00. Copyright © Dimension Express, 2002.

• NEVER reuse Data Sheets. Data Sheets are subject to change without notice. Dimension Express is a FREE service bureau and is updated daily, it makes far more sense to spend the time necessary to request new Data Sheets for each project, as opposed to the problems, time, costs, and risks associated with reusing old Data Sheets.

• Call Dimension Express if you have any questions at (775) 833-3633 •  
• Always refer to a current Code at a Glance or manufacturer directory •  
• Data Sheet codes change on the first of odd numbered months at 12:01am •

BN276 • A234B287C150D123 • 032603 • 95654 • 97386