

This Data Sheet Includes Information On

**Jenn-Air**

• **Product Model Number (s):**

Built-in Microwave Ovens:  
JMC8130DDB, JMC8130DDW, JMC8130DDS and  
JMC8130DDQ

• **Dimensions (Actual Size)**

- Overall width: 29 3/4"
- Overall height: 23 7/16"
- Penetration into cabinet: 20 3/16"
- Opening width: 28 1/2"
- Opening height: 22 5/8"
- Minimum cabinet width: 30"
- Min. cabinet depth: 24"
- Top overlap: 7/16"
- Bottom overlap: 3/8"
- Left overlap: 5/8"
- Right overlap: 5/8"

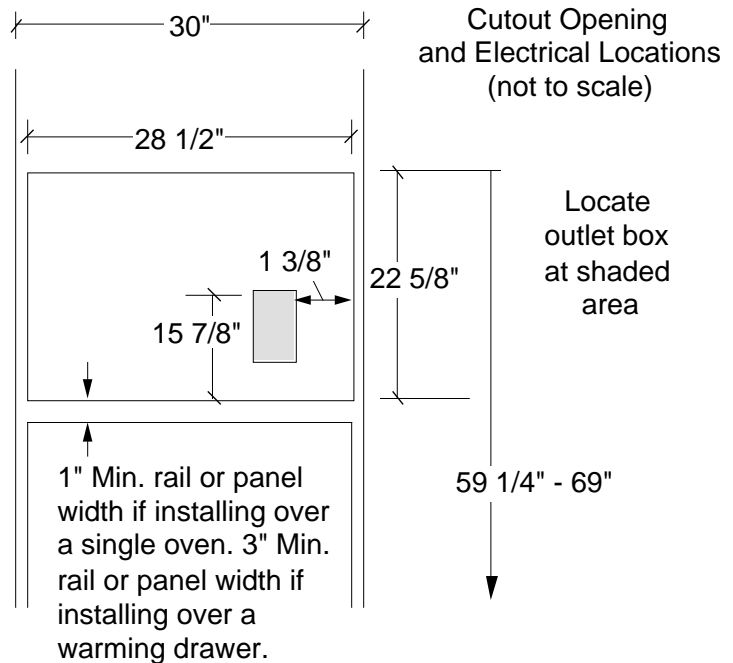
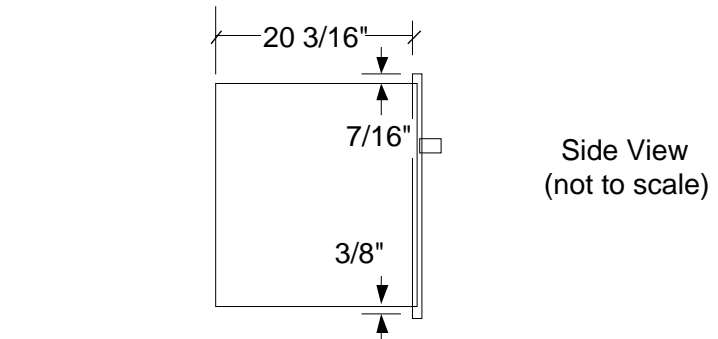
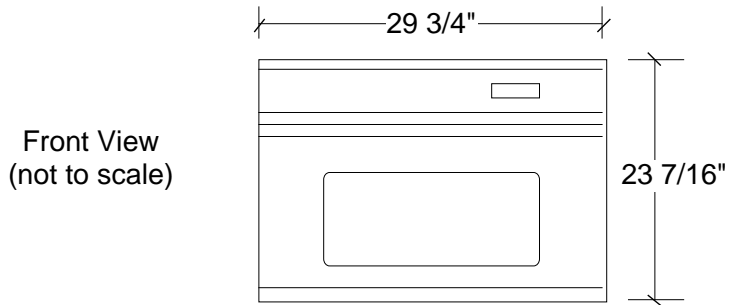
• **Additional Information**

- These microwave ovens fit flush with cabinet facings and do not require special trim kits.
- For European style cabinets (flush front) the required clearance for operation of the oven door is minimum spacing of 7/8" between the cutout and the door, hinge or drawer of the cabinet. Some built-in cabinets may not be wide enough.
- Models may be installed in a cabinet alone or above a Monogram single oven.
- DO NOT install above a cooktop, range or other heating appliance.
- DO NOT install in cabinet arrangements such as an island, a peninsula or below a countertop.
- If installing over a single oven, a 1" wide rail or panel MUST separate the oven and microwave openings (to allow for oven frame and microwave frame/trim kit overlaps).
- If installing over a warming drawer, a 2" wide rail or panel MUST separate the warming drawer and microwave openings (to allow for oven or warming drawer frame and microwave frame/trim kit overlaps).
- Finished opening floor must support a minimum of 120 pounds.
- Electrical requirements: 120volt, 60Hz power supply, 15 or 20 amp fuse. A separate circuit, protected by a time delay fuse or circuit breaker is required.
- A 45" long power cord is supplied, for which a properly grounded 3-prong receptacle is required.

Subject to change without notice. This system is designed to be updated daily if necessary. Dimension Express is not responsible for use of superseded, voided, or outdated data sheets. Because of the difficulty or impracticability of determining actual damages, liability of Dimension Express shall not exceed \$50.00.

Copyright © Dimension Express, 2003.

318



Cabinet opening depth: 24"

• NEVER reuse Data Sheets. Data Sheets are subject to change without notice. Dimension Express is a FREE service bureau and is updated daily, it makes far more sense to spend the time necessary to request new Data Sheets for each project, as opposed to the problems, time, costs, and risks associated with reusing old Data Sheets.

- Call Dimension Express if you have any questions at (775) 833-3633 •
- Always refer to a current Code at a Glance or manufacturer directory •
- Data Sheet codes change on the first of odd numbered months at 12:01am •

BN207.5 • A318 • •031211 • 161854 • 86231