

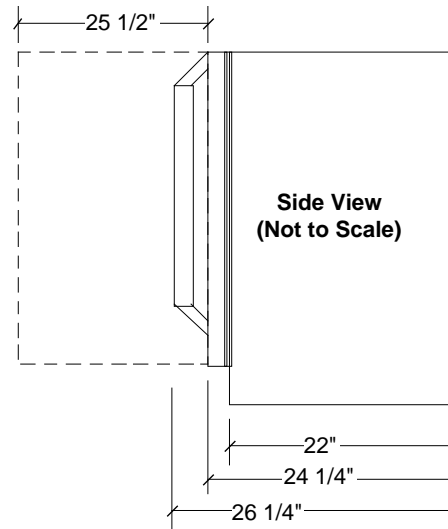
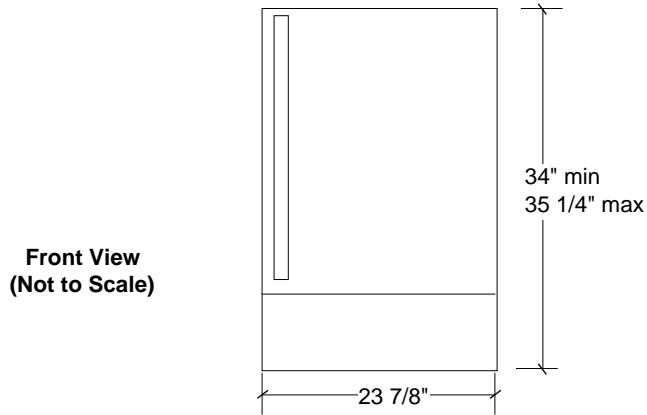
This Data Sheet Includes Information On

Jenn-Air

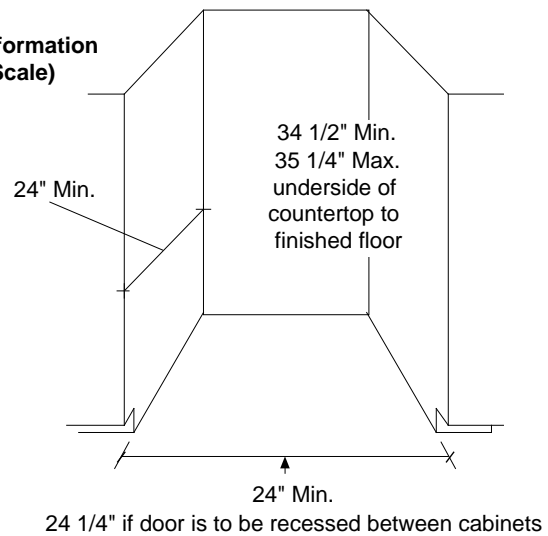
- **Product Model Number (s):**
Undercounter Refrigerators:
JUC2450ARW, JUC2450ARB and JUC2450ARS

- **Dimensions (Actual Size)**
 - Unit width: 23 7/8"
 - Maximum unit height: 35"
 - Minimum unit height: 34"
 - Case depth: 22"
 - Depth including door: 24 1/4"
 - Depth including handle: 26 1/4"
 - Minimum cutout width: 24"
 - Minimum cutout height: 34 1/2"
 - Maximum cutout height: 35 1/4"
 - Cutout depth: 24"
 - Depth with door open 90°: 25 1/2"

- **Additional Information**
 - Right or left hinge.
 - Electrical requirements: 115 volt, 60Hz, AC only 15 Amp fused electrical supply is required. A time delay fuse or circuit breaker is recommended. It is recommended that a separate circuit, serving only this unit, be provided. Locate electrical outlet on the back wall of opening.
 - May be built-in or free standing.



Rough-in Information (Not to Scale)



Subject to change without notice. This system is designed to be updated daily if necessary. Dimension Express is not responsible for use of superseded, voided, or outdated data sheets. Because of the difficulty or impracticability of determining actual damages, liability of Dimension Express shall not exceed \$50.00.

Copyright © Dimension Express, 2003.

231

• NEVER reuse Data Sheets. Data Sheets are subject to change without notice. Dimension Express is a FREE service bureau and is updated daily, it makes far more sense to spend the time necessary to request new Data Sheets for each project, as opposed to the problems, time, costs, and risks associated with reusing old Data Sheets.

- Call Dimension Express if you have any questions at (775) 833-3633 •
- Always refer to a current Code at a Glance or manufacturer directory •
- Data Sheet codes change on the first of odd numbered months at 12:01am •

BN • A231 • 032012 • 112333 • 46293