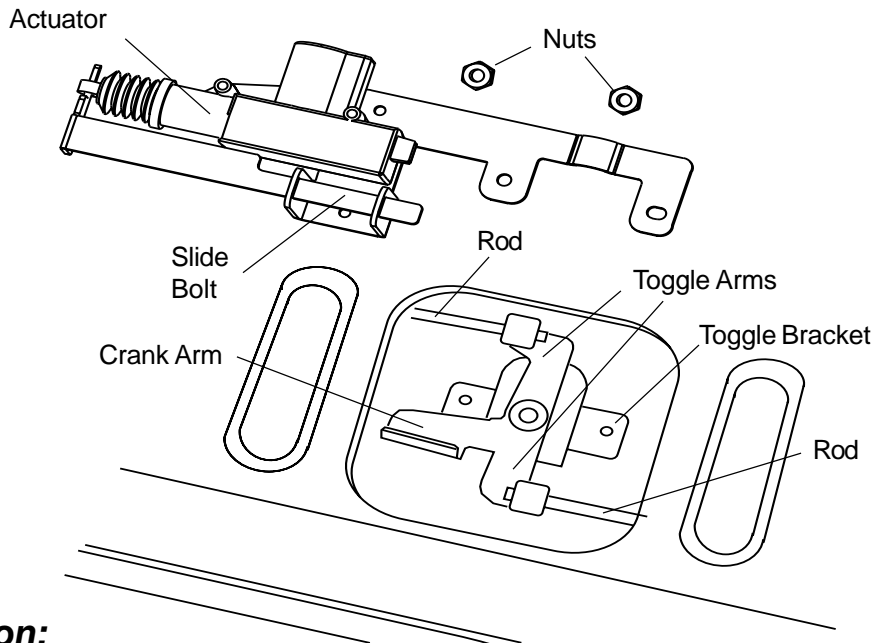


POWER TAILGATE LOCK

Instructions

Model PL 8340 for DODGE RAM, 2002 up



Parts Included:

Power Tailgate Lock Unit
Short Wiring Cable
Long Wiring Cable
Cable Ties
Blue Connector Taps

Tools Required:

Number 18 Torx Diver
10 MM Socket
Pliers
Small Screwdriver

Installation:

1. Test the system by connecting the POWER LOCK to the short and the long wiring harness and take it forward into the cab to test wire it.
2. **WIRING:** Remove the driver's side kick panel and locate the wiring harness leading to the driver's side door. Locate the **orange/black striped** and the **pink/black striped** wires, attach the two blue wire taps to them and squeeze them shut with a pair of pliers.
3. Connect the long wiring harness to the blue wire taps and test the system. Lock and unlock the doors using the power door lock switch. The actuator should contract to lock and extend to unlock. Reverse the wiring if the operation is out of phase. You can now unplug the wires from the blue leads.
4. Lower the tailgate, remove the access panel that is held on by 10 screws.
5. Release the rod ends from the toggle arms, remove the two nuts holding the toggle bracket.
6. Place the POWER LOCK inside the tailgate with the actuator on the driver's side on top of the toggle bracket and secure it with two nuts as shown. The slide bolt should slide below the crank arm in the locked or contracted position.
7. Connect the rod ends into the toggle arms.
8. Feed the round bullet connectors on the end of the short wiring cable into a drain hole at the bottom of the tailgate and up the tailgate to the handle opening. Connect them to the wires of the power tailgate lock.
9. Route the end of the short cable from the tailgate between the bumper and the truck bed.
10. Connect the short wire harness to the long wire harness. Locate the connector so that you can reach it to remove the tailgate. Coil and tie the extra length of the short wiring harness inside the tailgate. Don't attach it to the truck.
12. Route the long wire harness along the frame rail and the existing wiring on the driver's side of the truck. Use cable ties to attach the harness to the existing wiring underneath the truck. Follow the existing wiring under the cab and up the firewall to the grommet at the hood-release cable.
13. Pull the wires through the grommet and lead them to the blue connectors you attached to the wiring in Step 5. The system is now fully installed. CLOSE THE TAILGATE. Perform a final check and reverse the wires if necessary. Reinstall the access panel.