

Key Features

- High output to 200+ meters (dual lamp, 10° beam)
- Range of beam patterns from spot to wide angle
- Range of filters from 730 nm to covert 950 nm
- Low operating cost, using less power
- Balanced illumination – no foreground overexposure
- Rugged and weatherproof
- Long bulb life at 3,000 hours
- Low operating voltage at 28.6 VAC
- Extends the dynamic range of CCD cameras in night time conditions

Product Description

The UF500 series of illuminators for CCTV applications is specially designed for covert or semi-covert operations using special gold optics and high efficiency quartz halogen bulbs for **unsurpassed night viewing up to 650 ft.** (with dual 10°, 730 nm lamps. The unique cosec² lens reverses the inverse square law to provide evenly distributed illumination from the foreground to background for the entire scene. The shorter and thicker bulb filaments operating at lower voltages and temperatures are less vulnerable to shock and vibration. The result of these features is a high-performance illuminator with 40% higher efficiency and 50% longer life than traditional illuminators.

The U.S. Patented UF500 by Extreme CCTV, is the favored illuminator in the UK where night-time video monitoring is broadly utilized for proactive policing.

Certifications

CSA-NRTL: LR 113310-1

Class: 3451 01 / 81 Luminaires

Safety: OSHA / ANSI / UL / CSA
 CSA Std. C22.2 – Various Sections
 UL 506 – Transformers
 UL 50 – Enclosures for Electrical Equipment
 UL 1571 – Lighting Fixtures

Environmental: CSA / Outdoor

Proprietary: U.S. Patent # 6158879

Product Image



Under “even” illumination, the vehicle, the buildings and the bush in the background are all clearly seen despite the apparent darkness.

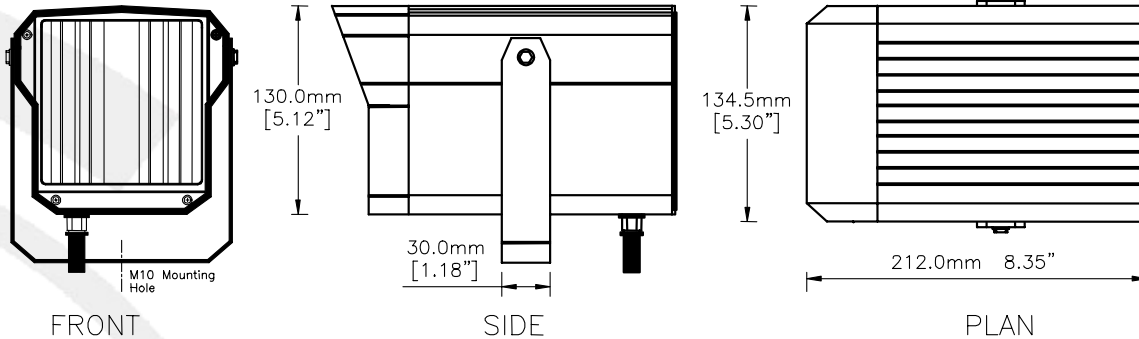
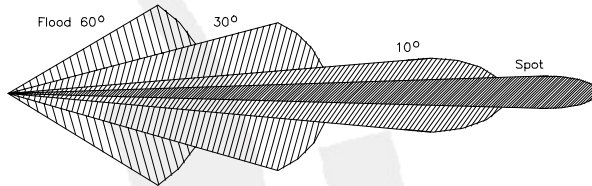
Applications

- Night-time surveillance where normal lighting is too expensive or prohibited
- Covert surveillance in a wide range of outdoor conditions
- Prison properties
- School ground properties
- Airport grounds where visible lighting is prohibited
- Police surveillance to streets and buildings
- Enhancement to motorized pan-tilt-zoom cameras for low-light and backlight conditions



Example Dual Lamp Configuration:

1. Two (2) UF500.203 IR Illuminator 830 nm / 10°
2. UF500.003 Dual Lamp Power Supply
3. EXMB.010 Dual Arm Mounting Bracket
4. Weatherproof Housing
5. Pan-Tilt Motor
6. Extreme CCTV Extended IR FSX800 Camera

Technical Drawings

Beam Pattern

Specifications

(Other Special Order Models available on request)

UF500 Series Infrared Illuminator:

Radiated Output	Similar to ordinary 500 Watt
Viewing Range	Various models to match camera specs
Optics	Optimized focus, gold optics system
Consumption	177 W (28.6 VAC, 5.8A) Max
Bulb Life	3,000 hours
Construction	Robust aluminium casting / extrusion
Color	Black (standard)
Weight	5.06 lbs (2.3 kg)
Temperature	- 30°C - 50°C (-22°F - 122°F)

Power Supply:

Input	120 VAC 60 Hz (1.6A), 240 VAC 50 Hz (3.2A)
Output	28.6 VAC nominal Single lamp system 177VA, 6.2A draw Dual lamp system 354VA, 12.4 A draw
Photocell	Dusk/Dawn automatic switching
Remote Control	On/Off volt-free contact switching
Auxiliary Output	12 VDC @ 650ma regulated
Dimensions	250mm x 160mm x 90mm 9.8" x 6.3" x 3.5"
Weight	Single 7.48 lbs (3.4 kg) Dual 10.12 lbs (4.6 kg)

Part Numbers

(Other Special Order Models available on request)

Illuminators: UF500.X0Y (x = beam pattern, y = filter)

Examples:

UF500.304 = UF500 @ 30° cosec beam, 950 nm filter

UF500.203 = UF500 @ 10° cosec beam, 830 nm filter

x	Beam Pattern	y	Filter
1	6° - Spot Beam	1	730 nm (traffic light glow)
2	10° - Cosec ² beam	3	830 nm (5W bulb glow)
3	30° - Cosec ² beam	4	950 nm (no glow)
4	60° - Flood beam	5	Mired - Color Visible

Power Supplies: (Order Separately)

UF500.001	120 VAC / 60 Hz, Single Lamp Power Supply
UF500.003	120 VAC / 60 Hz, Dual Lamp Power Supply

(Contact Extreme CCTV for 240 VAC / 50 Hz units)

Accessories

(Other Special Order Models available on request)

EXMB.010	Dual Arm Bracket for Standard Pan/Tilt Heads
UF500.010	Replacement Bulb Kit

A&E

- Available on request
Contact: sales@ExtremeCCTV.com