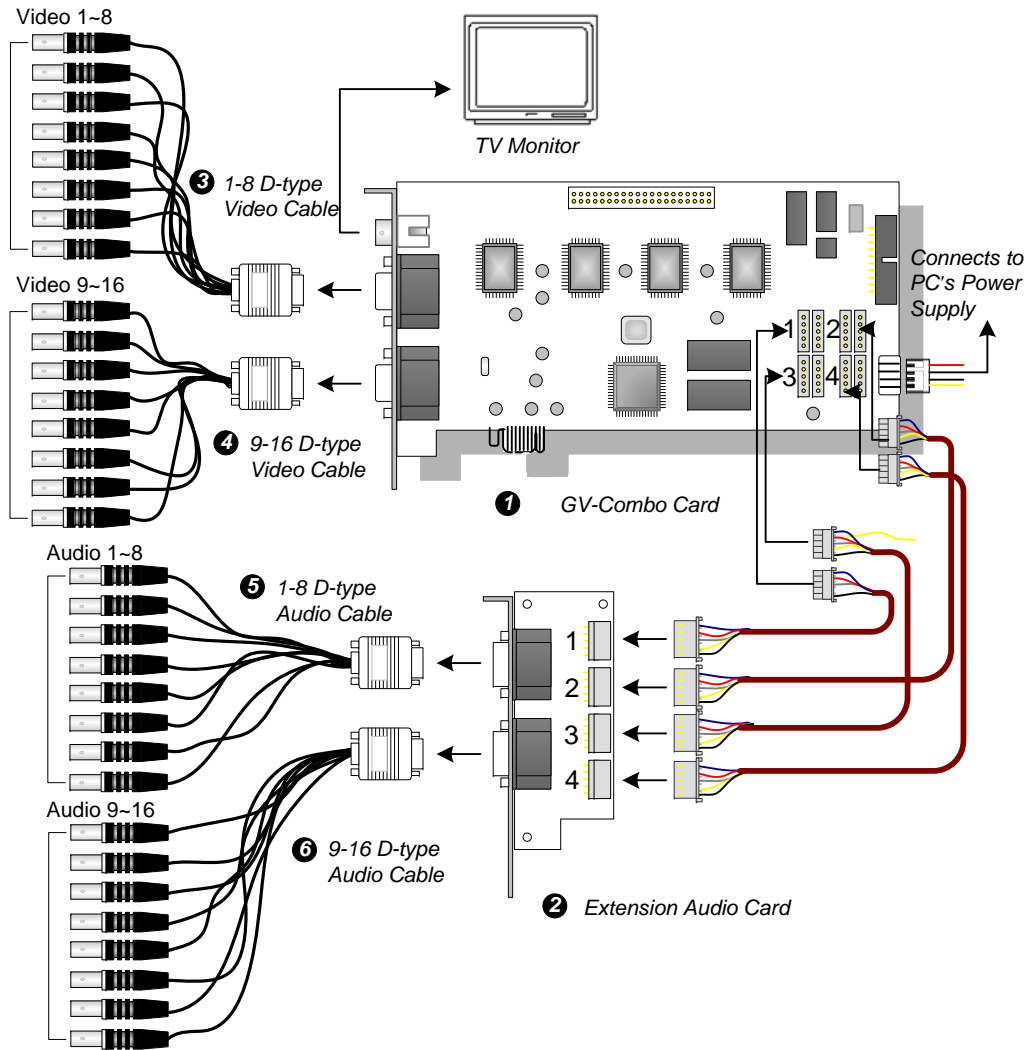


GV-Combo Card (PCI-E)

GV-Combo Card (PCI-E) provides a "single card solution" for video/audio recording and real-time display.

Packing List

- ❶ GV-Combo Card x 1
- ❷ Audio Extension Card x 1
- ❸ 1-8 D-type Video Cable x 1
- ❹ 9-16 D-type Video Cable x 1
- ❺ 1-8 D-type Audio Cable x 1
- ❻ 9-16 D-type Audio Cable x 1
- ❼ Hardware Watchdog Jumper Wire x 1
- ❽ Software CD x 1
- ❾ User's Manual x 1



Specifications

Input Type	DB15 x 2 (for Video), DB9 x 2 (for Audio)	
Video Input / Audio Input	GV-1480	16 Channels
	GV-1240	8, 16 Channels
	GV-1120	8, 12, 16 Channels
TV Output	RCA connector x 1	
Recording Rate	GV-1480	480 fps (NTSC), 400 fps (PAL)
	GV-1240	240 fps (NTSC), 200 fps (PAL)
	GV-1120	120 fps (NTSC), 100 fps (PAL)
Display Rate	480 fps (NTSC), 400 fps (PAL)	
Video Resolution	NTSC	720x480, 720x480 De-interlace, 720x240, 640x480, 640x480 De-interlace, 640x240, 320x240
	PAL	720x576, 720x576 De-interlace, 720x288, 640x480, 640x480 De-interlace, 640x240, 320x240
Compression Format	Wavelet, MPEG-4, Geo MPEG4, Geo MPEG4 (ASP), Geo H264	
GV-NET/IO Card Support	Yes	
GV-Hybrid DVR Card Support	Yes	
Dimensions	212 mm x 99 mm	

System Requirements

OS Supported	Windows 2000 / Windows XP / Windows Server 2003	
CPU	GV-1480	Pentium 4-2.8C GHz, 800 MHz FSB (minimum)
	GV-1240	Pentium 4-2.6C GHz, 800 MHz FSB (minimum)
	GV-1120	Pentium 4-2.4C GHz, 800 MHz FSB (minimum)
RAM	2 x 256 MB dual DDR400 SDRAM (minimum)	
HDD	GV-1480	250 GB or above
	GV-1240	120 GB or above
	GV-1120	80 GB or above
VGA	ATI Radeon 9550 or above (recommended)	
DirectX	9.0 or above	

- Note:**
1. For recording resolution of 640 x 480 or above, Pentium 4 processor with Hyper Threading is required.
 2. Currently GV-series cards are not compatible with VIA series chipset motherboards.
 3. The recording rate is set at 320 x 240 resolution.
 4. The GV-Combo Card (PCI-E) can only be inserted into the PCI Express x1 slot.
 5. This card only works when it connects to PC's power supply.