

17" TFT LCD Flat Screen Rack Mountable Monitor



WDL-1700MR

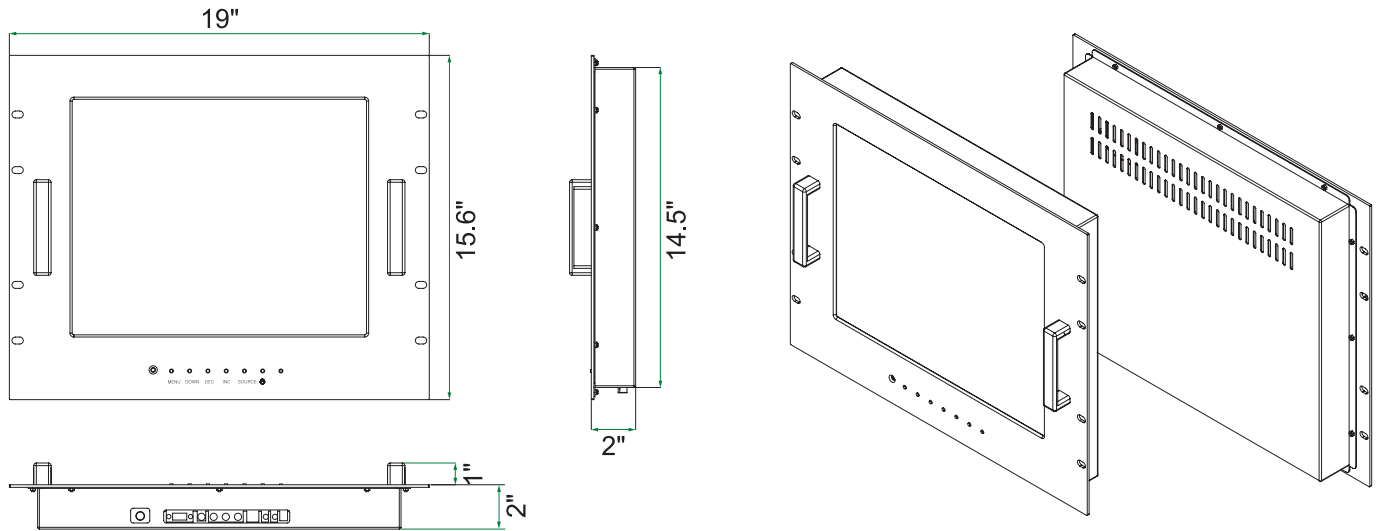
MAIN FEATURES

- High Resolution 17" Flat Screen LCD Display
- Heavy Duty 19" Rack Mount Housing
- 16.2 Million Colors for True Color Rendition
- Composite Video, S-Video, and VGA PC Input
- Audio (Right / Left) Line Inputs and Built-In Speaker
- On-Screen Menu Display for Feature and Video Adjustments
- Wide Viewing Angle - 140 Degrees (H) x 150 Degrees (V)
- Automatic Input Tuning or Manual Input Selection
- High Contrast Ratio and Brightness for Maximum Visibility In Sunlight or Bright Light
- Includes Wireless Remote Control and PC Cable

WELDEX CAN CUSTOMIZE LCDS FOR YOUR SPECIFIC NEED!!

WDL-1700MR (17" TFT LCD Flat Screen Rack Mountable Monitor)

DIMENSIONS



SPECIFICATIONS

Video & Display	Panel Type	17.0" Color Active Matrix TFT
	Colors	16.2 Million Colors
	Pixel Pitch	0.264mm x 0.264mm (HxW)
	Viewable Screen Size	17.0" (Inch)
	Back Light	4 CCFLs
	Resolution	SXGA (1280x1024)
	Contrast	500:1
	Brightness	270cd/m2
	Response Time	Rising TR: 3(msec) / Falling TF: 10(msec)
	Viewing Angle	Top 75C / Bottom 75C / Left 75C / Right 60C
	Automatic Input Tuning	Yes
Inputs / Outputs	Signal / Video Inputs	Analog RGB, 15Pin(D-Sub Type) VGA Composite, RCA Connector S-Video, S-VHS Connector (Y/C)
	Power	DC-12 Volt, 4.58A (Power Supply Included)
	Audio	Right / Left Line-In, RCA Connectors PC Audio Input / Output (Headphone Jack)
Physical & Power	Power Consumption	55W Max
	DPMS Power Saving Function	VESA DPMS
	Mounting	19" Rack Mountable
	Weight	15.4lbs
	Dimensions (WxHxD)	Flange / Trim: 19" x 15.6" x 3" Body: 16.5" x 14.5" x 2"
	Standards	Certified: FCC, CE, CCIB, TCO 99
	Accessories Included	Wireless Remote w/ 2 Batteries, 15 Pin Cable VGA Cable, Power Supply, Owners Manual