

Key Features

- Compact, attractive design
- Solid State for up to 10 year LED life
- Very low power consumption <50 Watts
- High output illumination to 60+ m (200 ft)
[at 850 nm with FSX.800 camera or equal]
- 850 nm semi-covert and 940 nm covert models
- Low voltage operation
- Rugged and weatherproof
- Matching power supply with photocell control

Product Description

A compact illuminator comprised of 252 LEDs in a weathertight housing. Efficiently provides infrared energy for short-range night surveillance to 60+ meters (200 feet) when used with extended IR cameras. The extruded and cast aluminum housing also acts as a heat sink to allow efficient illumination.

The UF-LED has an expected LED life of up to 10 years.

To achieve specified performance the LED unit must be used with power supply provided.

Certifications / Compliance

CSA-NRTL: LR 113310-1

Class: 3451 01/81 Portable Luminaires

Safety: OSHA / ANSI / UL / CSA
CSA Std. C22.2 – Various Sections
UL 506 – Transformers
UL 50 – Enclosures for Electrical Equipment
UL 1598 – Luminaires

Environmental: NEMA 4

Product Image



Applications

- Night-time surveillance where normal lighting is too expensive or prohibited
- Covert surveillance in a wide range of outdoor conditions
- Prison properties
- School ground properties
- Airport grounds where visible lighting is prohibited
- Police surveillance to streets and buildings

A&E

- Available on request
Contact: sales@ExtremeCCTV.com

Specifications

(Other Special Order Models available on request)

Illuminator - UFLED:

LED Array	252 Long Life LEDs, 850 nm (30°) or 940 nm (20°)
Consumption	
@ High Power:	36.4 W nominal (3.31A @ 11V)
@ Low Power:	25.4 W maximum (2.42A @ 10.5V)
Operating Temp.	
@ High power:	Maximum ambient @ 25°C (77°F)
@ Low power:	Maximum ambient @ 40°C (104°F) -30°C to 50°C Temperature range
Construction	Robust aluminum casting / extrusion
Weight	3.1 lbs (1.4 kg)
Color	Black
Bracket	U-Bracket for top or bottom mount
Cabling	Supplied with 4 m (12 feet) of power lead
Size	5.1" x 6.0" x 2.5" (130 mm x 152 mm x 65 mm)

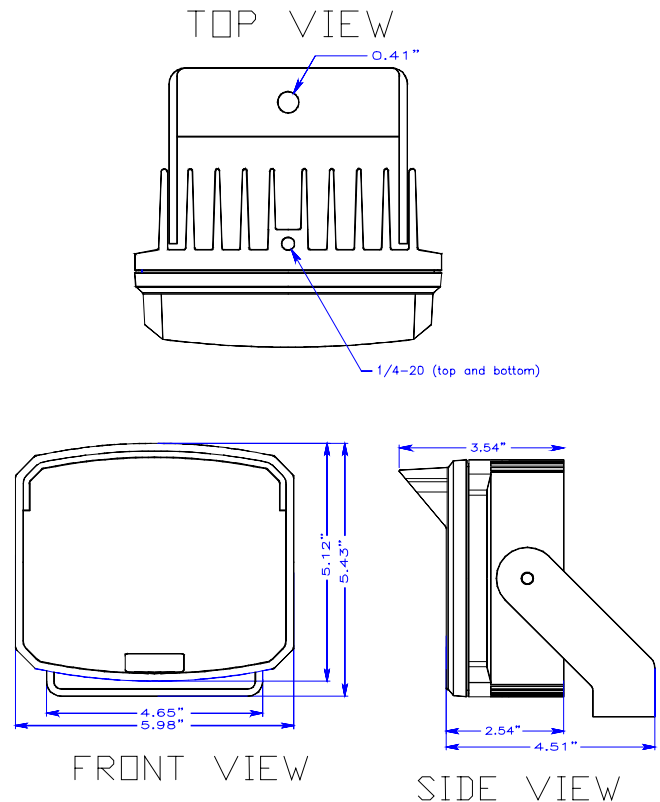
Power Supply – UFPS.301:

Main Supply	120 V, 60 Hz, 0.35A
Output	Current regulated DC High Power 36W / Low Power 25W
Photocell	Dusk/Dawn Automatic Switching
Remote Control	Volt-free contact provided (switch or relay required)
Construction	Polycarbonate NEMA 4X Enclosure
Weight	1.62 kg (3.6 lbs)
Size	160 mm x 120 mm x 90 mm (6.3" x 4.7" x 3.5")
Operating Temp.	-30°C to 40°C (-22°F to 104°F)

Performance Notes

- 1) Use IR with manufacturer supplied power unit
- 2) 940 nm will provide 40-50% less distance than 850 nm
- 3) UF-LED series can be integrated with similarly housed Extreme CCTV Model EX26 / EX27

Technical Drawings



Part Numbers

UFLED850.30	UF-LED 30 deg / 850 nm w/ Power Supply
UFLED940.20	UF-LED 20 deg / 940 nm w/ Power Supply

Accessories

UFPS.301R	Replacement Power Supply 120 VAC input – 9.4-12 VDC output, 2.8 amps, Photocell
------------------	--