

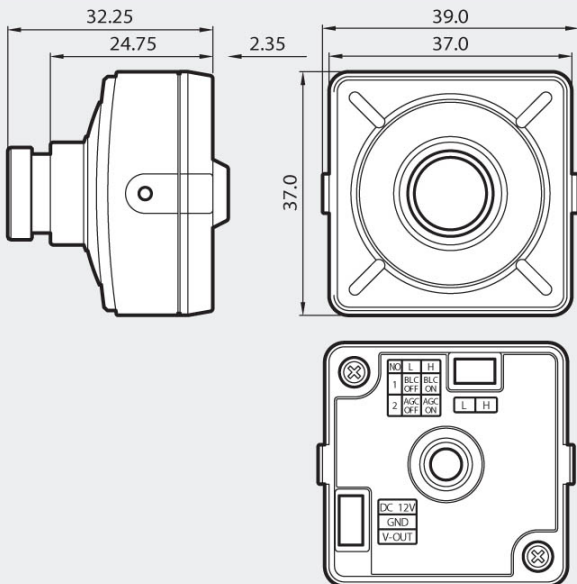


Features

- 1/3 inch Sony Super HAD CCD
- High Resolution : 480 TV Lines
- Built in Fixed Lens (f=3.8mm)
- Auto White Balance
- AGC, BLC (On/Off)
- Min. Illumination : 0.3 Lux



DIMENSIONS



SPECIFICATIONS

Model	CNB-MN1710	CNB-MP1710
Signal System	NTSC	PAL
Scanning System	2:1 Interlace	
Scanning Frequency (H)	15.734 KHz	15.625 KHz
Scanning Frequency (V)	59.94 Hz	50 Hz
Image Sensor	1/3 Inch SONY Super HAD CCD	
Total Pixels	811(H) x 508(V) 410K	795(H) x 596(V) 470K
Total / Effective Pixels	768(H) x 494(V) 380K	752(H) x 582(V) 440K
Horizontal Resolution	480 TV Lines	
Video Output	1.0V p-p (75Ω, Composite)	
S/N Ratio	More than 48dB (AGC Off)	
Lens	Built-in Fixed Lens (f=3.8mm)	
Min. Illumination	0.3 Lux	
White Balance	Auto	
AGC / BLC	On/Off Selectable	
Shutter Speed	1/60~1/10,000 Sec.	1/50~1/10,000sec.
Supplied Voltage	DC9V~15V (Recommandation DC12V±0.5V)	
Power Consumption	Max. 3W	
Dimensions(WxH)	39.0(W)x37.0(H)x34.6(D) mm	