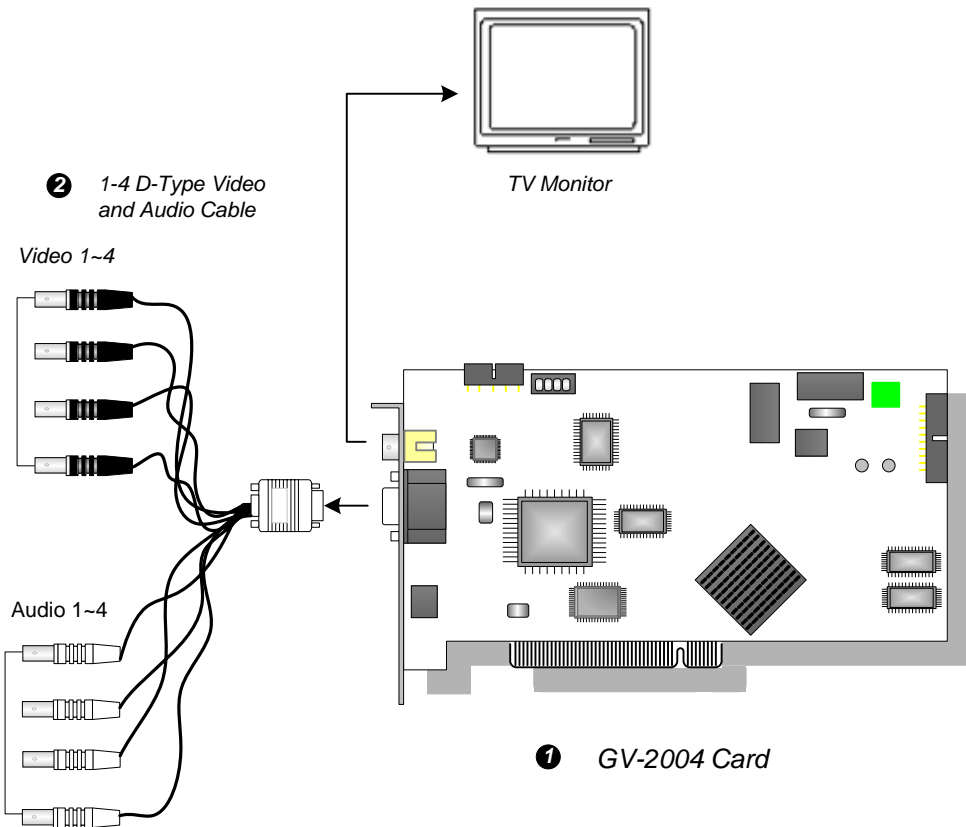


GV-2004 Card

GV-2004, a four-in-one combo card, includes the features of previous GV-Video Capture Card (recording of up to 16 video channels), GV-DSP Card (real-time display), GV-A16 Card (recording of up to 16 audio channels), and GV-Hybrid DVR Card (hardware compression). This economic device not only provides a single-card resolution but also saves the PCI slots .

Packing List

- ❶ GV-2004 Card x 1
- ❷ 1-4 D-Type Video and Audio Cable x 1
- ❸ Hardware Watchdog Jumper Wire x 1
- ❹ Software CD x 1
- ❺ Installation Guide x 1



Specifications

Input Type	DB15 x 1 (for Video and Audio)	
Video Input	4 Cams	
Audio Input	4 Channels	
TV Output	RCA Connector x 1	
Recording Rate	S/W (CIF)	120 fps (NTSC), 100 fps (PAL)
	H/W (D1 or Half D1)	120 fps (NTSC), 100 fps (PAL)
Display Rate	120 fps (NTSC), 100 fps (PAL)	
Video Resolution	NTSC	720 x 480, 720 x 480 De-interlace
	PAL	720 x 576, 720 x 576 De-interlace
Compression Format	S/W	Geo MPEG4, Geo MPEG4 (ASP), Geo H264
	H/W	MPEG-4, MPEG-2
GV-NET/IO Card Support	Yes	
Dimensions	195 mm x 102 mm	

System Requirements

OS Supported	Windows 2000 / Windows XP / Windows Server 2003
CPU	Pentium 4-2.4C GHz, 800 MHz FSB (minimum)
RAM	2 x 256 MB Dual DDR400 SDRAM (minimum)
HDD	120 GB or above (recommended)
VGA	ATI Radeon 9550 or above (recommended)
DirectX	9.0 or above

Note: Currently GV-series cards are not compatible with VIA-series and ATI-series chipset motherboards.