

#### CB-HD2N/P-L



#### Key Features

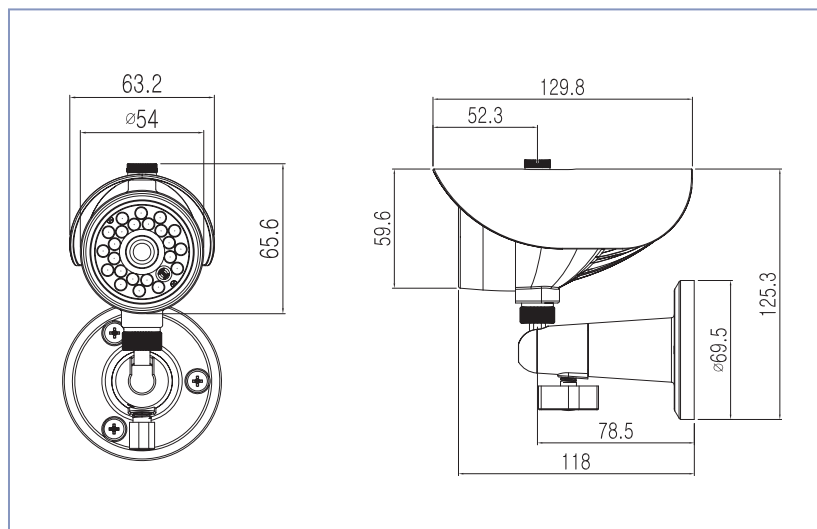
- 1/3" CCD Sensor
- 480 TV Lines
- 2.9mm Fixed Lens
- Day/Night Function
- 0.1 Lux(Color), 0.01 Lux(B/W)
- 23 IR LEDs
- 12VDC

#### Technical Specifications NTSC = (N), PAL = (P)

Item	CB-HD2N/P-L
Video Signal	NTSC / PAL
Image Sensor	1/3" CCD
Effective Pixel (NTSC/PAL)	768(H) x 494(V)/752(H) x 582(V)
Sync System	Internal
Min. Illumination	0.1 Lux(Color), 0.01 Lux(B/W)
Lens	2.9mm Fixed
Angle of View	120°
Horizontal Resolution	480 TV Lines
S/N Ratio	More than 48dB
ESC	Internal
Electronic Shutter	1/60 ~ 1/120,000 sec.(N), 1/50 ~ 1/120,000 sec.(P)
Video Output	1.0 Vp-p Composite, 75 ohm
IR LEDs	23
LED Illumination Angle	80°
IR Distance	Up to 50 ft.
Gamma Correction	0.45
Gain Control	AGC
Operating Temperature	-10°C ~ +50°C
Weatherproof	IP66
Operational Humidity	Within 90% RH
Power Consumption	1 Amp
Input Voltage	12VDC

\* Must use specified and regulated 12VDC power supply.

#### Dimensions (UNIT: mm)



# EASYVIEW