

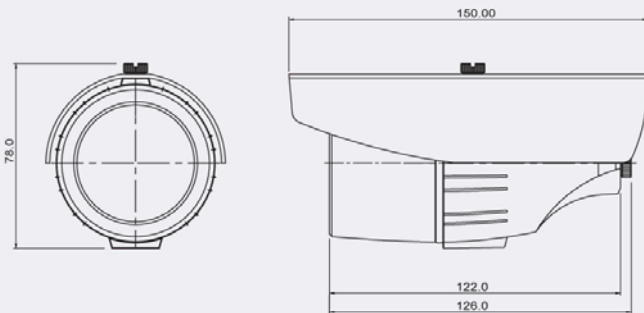


### Features

- 1/3 inch Sony Super HAD CCD
- **High Resolution : 550 TV Lines**
- Built-in DC Iris Vari-focal Lens(f=3.8~9.5mm)
- **True Day&Night (ICR)**
- Auto White Balance
- AGC, BLC, Flickerless (On/Off)
- **Built-in IR LED(18EA) and Sensor(1EA)**
- Min Illumination : Night(0.00Lux, IR LED On)
- Weather Proof Housing
- 65mm in Diameter



### DIMENSIONS



### SPECIFICATIONS

Model	CNB-B2310NVF	CNB-B2310PVF
Signal System	NTSC	PAL
Scanning System	2:1 Interlace	
Scanning Frequency (H)	15.734 KHz	15.625 KHz
Scanning Frequency (V)	59.94 Hz	50 Hz
Image Sensor	1/3 Inch SONY Super HAD CCD	
Total Pixels	811(H) x 508(V) 410K	795(H) x 596(V) 470K
Effective Pixels	768(H) x 494(V) 380K	752(H) x 582(V) 440K
Horizontal Resolution	550 TV Lines	
Video Output	1.0V p-p (75Ω, Composite)	
S/N Ratio	More than 50dB(AGC Off)	
Lens	DC Iris Vari-focal Lens (f=3.8~9.5mm)	
Min.Illumination	Day (0.3Lux), Night(0.00Lux, IR LED On)	
IR LED and Sensor	IR LED 18EA (850nm, 30°) 18EA, Sensor 1EA	
IR LED Visible Range	Max. 20m	
Day&Night (ICR)	Auto	
White Balance	Auto	
AGC,BLC,Flickerless	On/Off (Dip Switch)	
Shutter Speed	1/60~1/100,000 Sec.	1/50~1/100,000sec.
Supplied Voltage	DC 12V	
Power Consumption	Max. 6W/0.5A	
Dimensions(ØxH)	78.0 x 150.0mm	
Weight	Approx. 800g	