



## Features

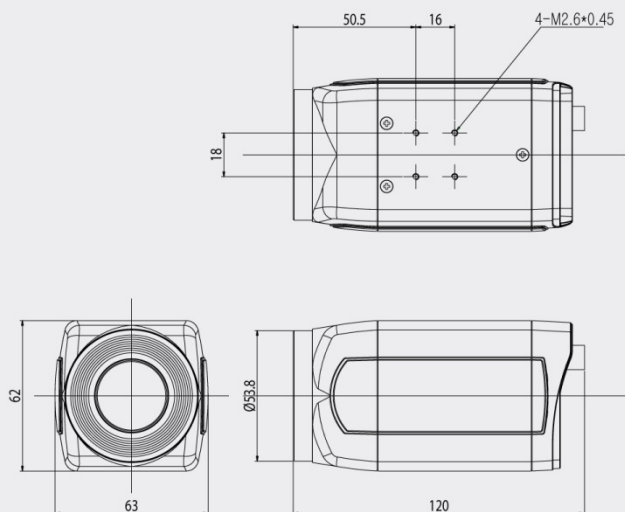
- 1/4 inch Sony Super HAD CCD
- High Resolution : 480 TV Lines
- Built-in Auto Iris / Auto Focus
- **27x Optical Power Zoom Lens**
- 10x Digital Zoom (Max. 270x), TDN(ICR)
- OSD (On Screen Display)
- Video Transmission Distance Adjustable(3 Steps)
- RS-485 Interface(Pelco-D)/PTZ Controller Interface
- Digital Slow Shutter (DSS)
- RS-485 / PTZ Controller Interface



## REAR VIEW



## DIMENSIONS



## SPECIFICATIONS

Model	A2768NL
Signal System	NTSC
Scanning Frequency (H)	15.734 KHz
Scanning Frequency (V)	59.94 Hz
Scanning System	2:1 Interlace
Image Sensor	1/4 Inch SONY Super HAD CCD
Total Pixels	811(H) x 508(V) 410K
Total / Effective Pixels	768(H) x 494(V) 380K
Sync. System	Internal / External (Line Lock) : Auto Detect
Horizontal Resolution	480 TV Lines
Signal Output	1.0Vp-p (75Ω, Composite)
S/N Ratio	More than 48dB (AGC Off)
Lens	27x Zoom Video AF (f=3.6~97.2mm, F1.6)
Digital Zoom Ratio	10x Digital Zoom
Focus Mode	Auto/Manual
Day&Night Type	Electronic Sensitivity-up (DSS), ICR(AGC type)
Digital Slow Shutter	Off/2FLD~128FLD Mode
Min.Illumination	Day Mode: 1.2Lux (30 IRE) / Night Mode: 0.25Lux (30 IRE) / DSS (128FLD) Mode: 0.001Lux (30 IRE)
OSD	On/Off
AGC, Flickerless	On/Off
BLC	Normal,C,L,U,D,R High/Low (6 Area Selectable)
White Balance	Auto/Push Auto/Outdoor/Indoor/Manual
Mirror	On/Off
Electronic Shutter Speed	1/60 ~ 1/10,000 sec
Camera Control	Rear Button, RS485 (Pelco-D)
Supplied Voltage	24VAC or 12VDC Dual Voltage
Dimensions	63 x 62 x 120 mm
Weight	Approx. 325g