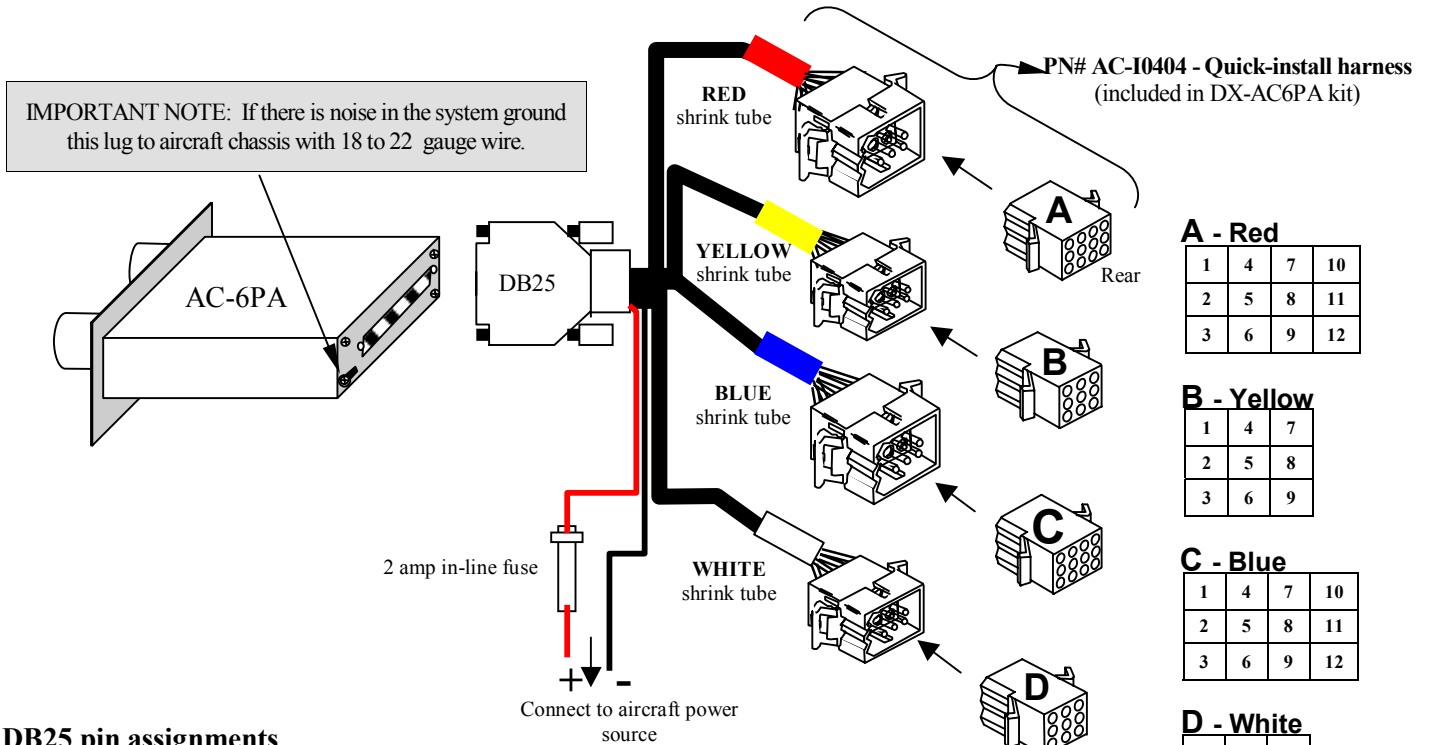




# AVCOMM AC-6PA Panel Mount Intercom

**Fig. 2: Quick-install harness diagram**



**A - Red**

1	4	7	10
2	5	8	11
3	6	9	12

**B - Yellow**

1	4	7
2	5	8
3	6	9

**C - Blue**

1	4	7	10
2	5	8	11
3	6	9	12

**D - White**

1	4	7
2	5	8
3	6	9

Molex pin assignment (rear view of molex)

**DB25 pin assignments and functions**

1	Phone from Radio
2	MIC to Radio
3	PTT to Radio
4	Audio - Out (1)
5	Audio - Out (2)
6	Speaker - Pilot
7	Speaker - Co-Pilot
8	Speaker - Passenger 1
9	Speaker - Passenger 2
10	Speaker - Passenger 3
11	Speaker - Passenger 4
12	Shield - ground
13	+12 ~ +28 V Battery
14	Shield - ground
15	PTT - Pilot
16	PTT - Co-Pilot
17	Audio - In (L)
18	Audio - In (R)
19	MIC - Pilot
20	MIC - Co-Pilot
21	MIC - Passenger 1
22	MIC - Passenger 2
23	MIC - Passenger 3
24	MIC - Passenger 4
25	Battery Negative

**Molex® pin assignments and functions**

A - Red	
A1	Pilot MIC +
A2	Pilot Speaker +
A3	Pilot PTT +
A4	Co-Pilot MIC +
A5	Co-Pilot Speaker +
A6	Co-Pilot PTT +
A7	Pilot PTT +
A8	Ground
A9	Ground
A10	Co-Pilot PTT +
A11	Ground
A12	Ground

B - Yellow	
B1	Passenger 1 MIC +
B2	Passenger 1 Speaker +
B3	Passenger 2 MIC +
B4	Passenger 2 Speaker +
B5	N/A
B6	Ground
B7	N/A
B8	Ground
B9	N/A

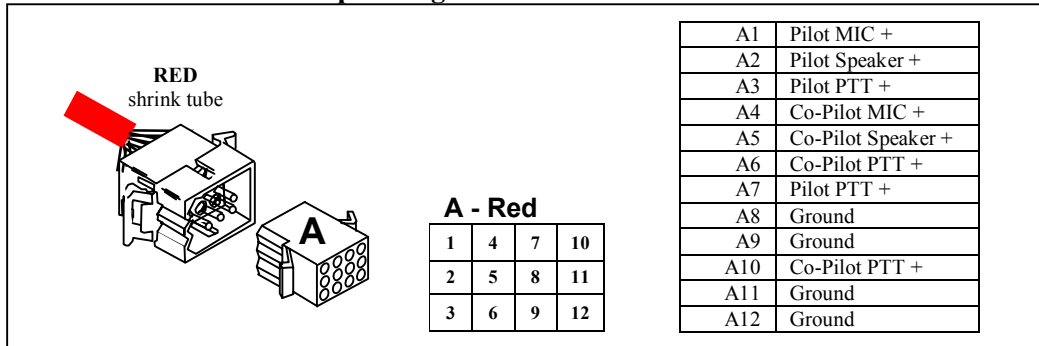
C - Blue	
C1	Passenger 3 MIC +
C2	Passenger 3 Speaker +
C3	Passenger 4 MIC +
C4	Passenger 4 Speaker +
C5	Audio out +
C6	N/A
C7	Ground
C8	N/A
C9	Ground
C10	Ground
C11	N/A
C12	N/A

D - White	
D1	Audio - In (L)
D2	Audio - In (R)
D3	Signal Out to Radio
D4	Signal In from Radio
D5	Audio Ground
D6	Audio Ground
D7	Radio Ground
D8	PTT from Radio
D9	N/A

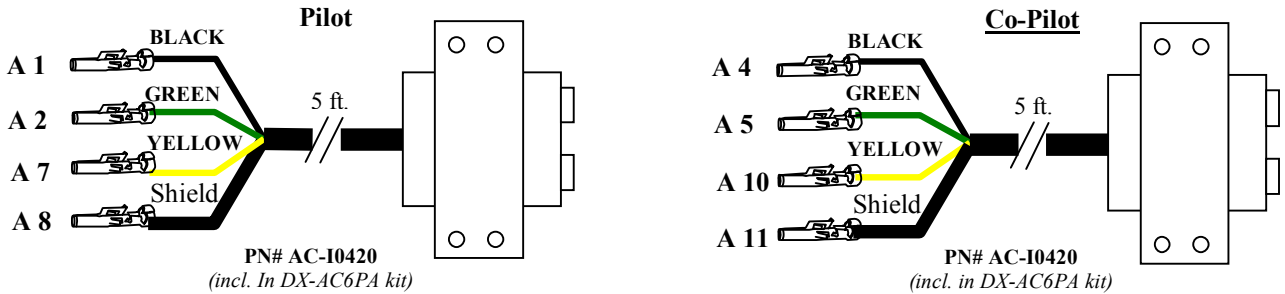


# AVCOMM AC-6PA Panel Mount Intercom

## Molex® pin assignments and functions: A

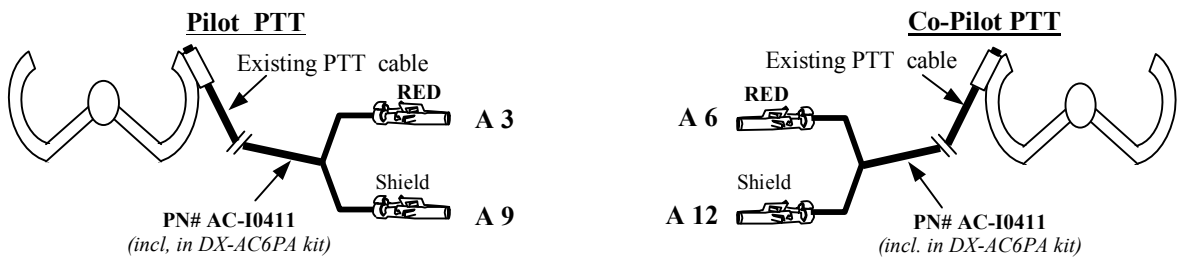


**Fig. 3: Quick-install pilot/co-pilot headset jacks**

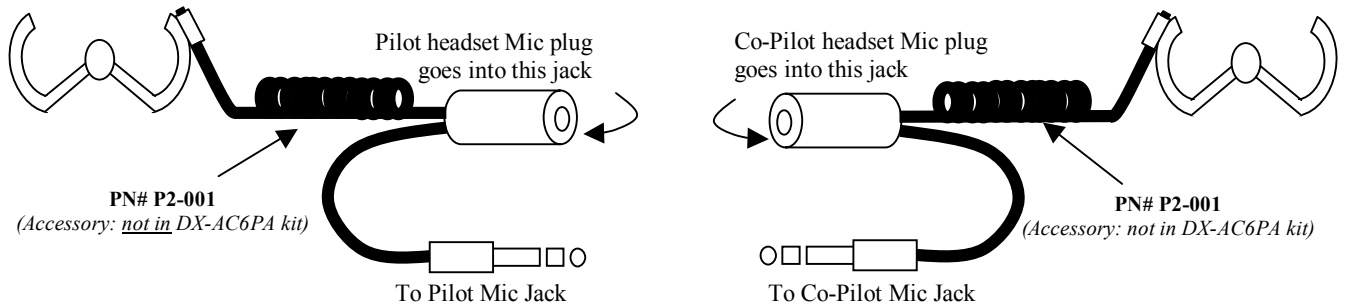


**Fig. 4: PTT (two options)**

### 4-1: Permanent PTT connection



### 4-2: Portable PTT connection



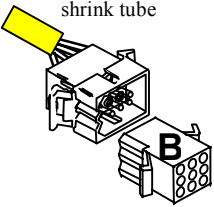


# AVCOMM AC-6PA Panel Mount Intercom

## Molex® pin assignments and functions: B & C

B1	Passenger 1 MIC+
B2	Passenger 1 Speaker+
B3	Passenger 2 MIC+
B4	Passenger 2 Speaker+
B5	N/A
B6	Ground
B7	N/A
B8	Ground
B9	N/A

**YELLOW** shrink tube

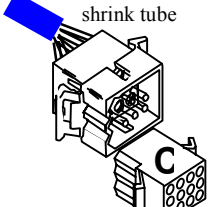


**B - Yellow**

1	4	7
2	5	8
3	6	9

C1	Passenger 3 MIC+
C2	Passenger 3 Speaker+
C3	Passenger 4 MIC+
C4	Passenger 4 Speaker+
C5	Audio out +
C6	N/A
C7	Ground
C8	N/A
C9	Ground
C10	Ground
C11	N/A
C12	N/A

**BLUE** shrink tube

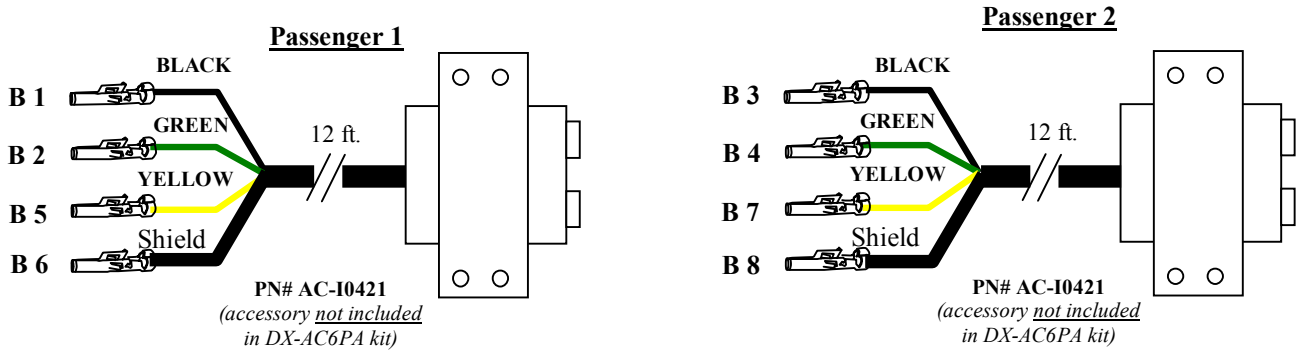


**C - Blue**

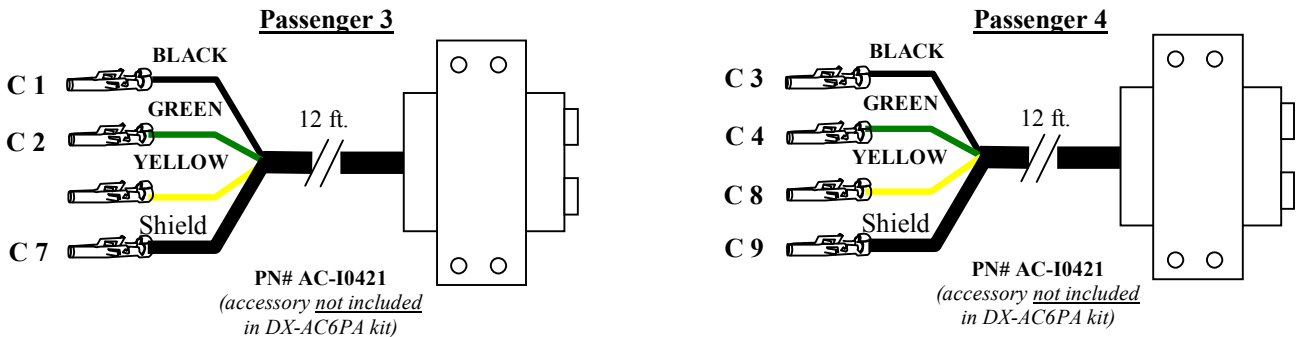
1	4	7	10
2	5	8	11
3	6	9	12

**Fig. 5: Optional Quick-install passenger headset jacks**

### 5-1: Passengers 1 & 2



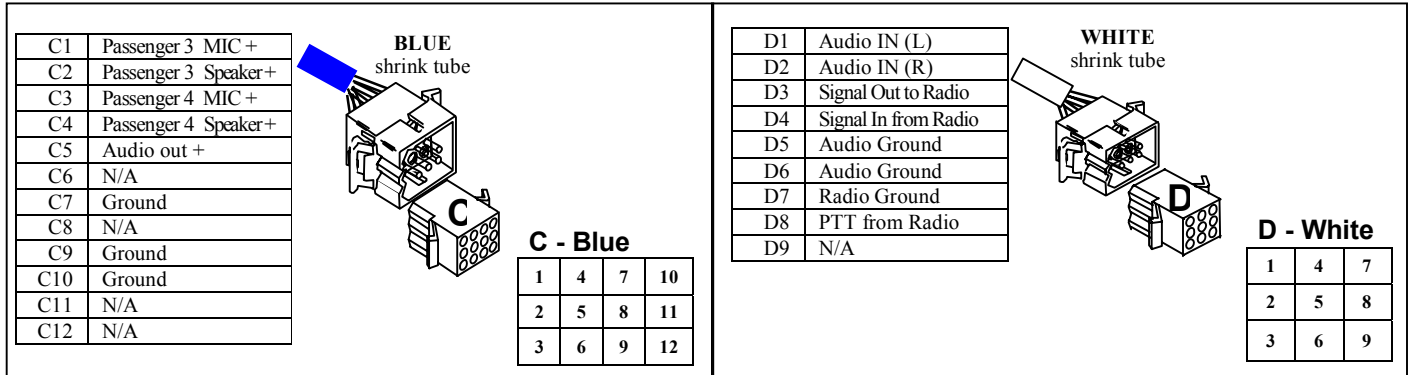
### 5-2: Passengers 3 & 4



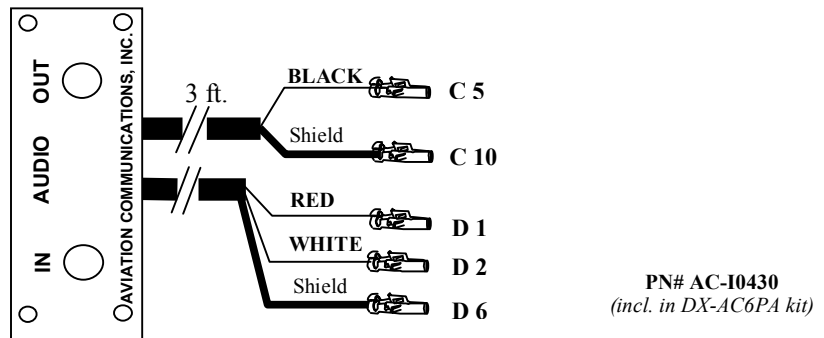


# AVCOMM AC-6PA Panel Mount Intercom

## Molex® pin assignments and functions: C & D

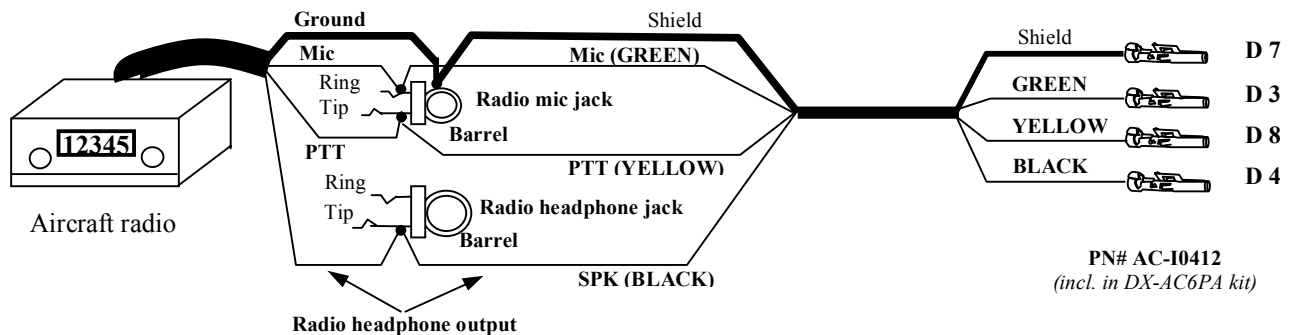


**Fig. 6: Quick-install audio panel**



**Fig. 7: Radio connection (two options)**

### 7-1: Intercom wired directly to



### 7-2: Quick-install solderless radio adapter

