



## SV-6300

### INSTALLATION INSTRUCTION

The SV-6300 universal mount waterproof back-up cameras are designed to be installed on any vehicle. It is easy to install with no drilling required, requiring minimal installation time.

This uniquely designed product can be of use for any passenger car, SUV and Van, also can be of use for large truck, school bus, bus and boot as well. Furthermore, it can not only be installed on the license plate, but anywhere on the vehicle, such as under the bumper, on the sides of cargo trailers or above the hatch.

The SV-6300 type is designed for any pickup truck and trailer or boot,

#### SPECIFICATION:

Image Device:	OmniVision <b>CameraChip™</b>
TV System:	NTSC full color
Operating Voltage:	12 V DC
Image:	Mirror image or non mirror image (optional)
Video Output:	1.0Vp-p, 750Ohm
Resolution:	380 TV Lines
Illumination:	2Lux/F1.2, 0Lux with Night-vision (optional)
Current Consumption:	Max. 60mA/ 200mA for Night-vision
Lens:	f=2.8mm/f=2.0
View Angle:	115 degrees
Water Resistance:	IP68

#### INSTALLATION:

**Step 1.** Find place flat top lift or right on license plate.

**Step 2.** Install the SV-6300 camera top on the license plate. Using screws to hold on the edge top of the license plate.

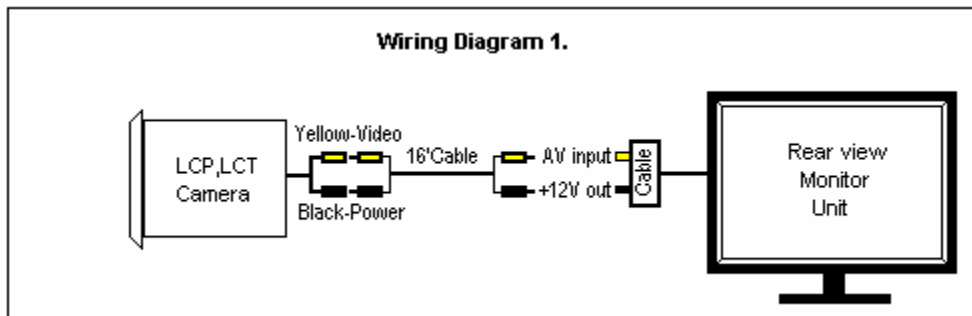




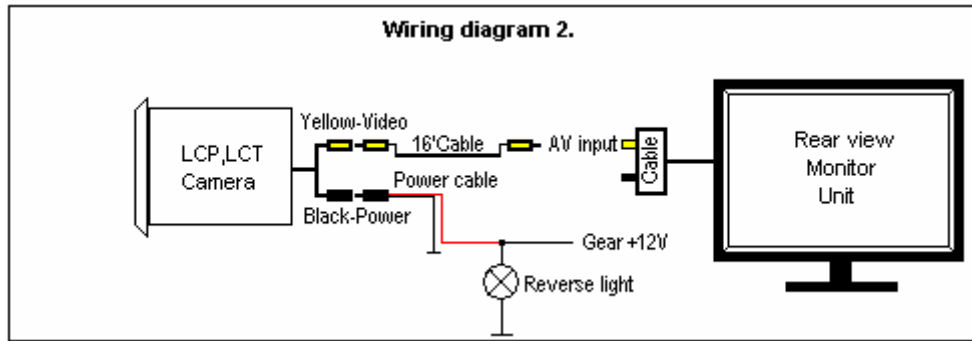
**Step 3.** Wires connection:

Camera's Yellow socket is connected to video input on monitor unit; Black socket is for the power connected to DC 12V.

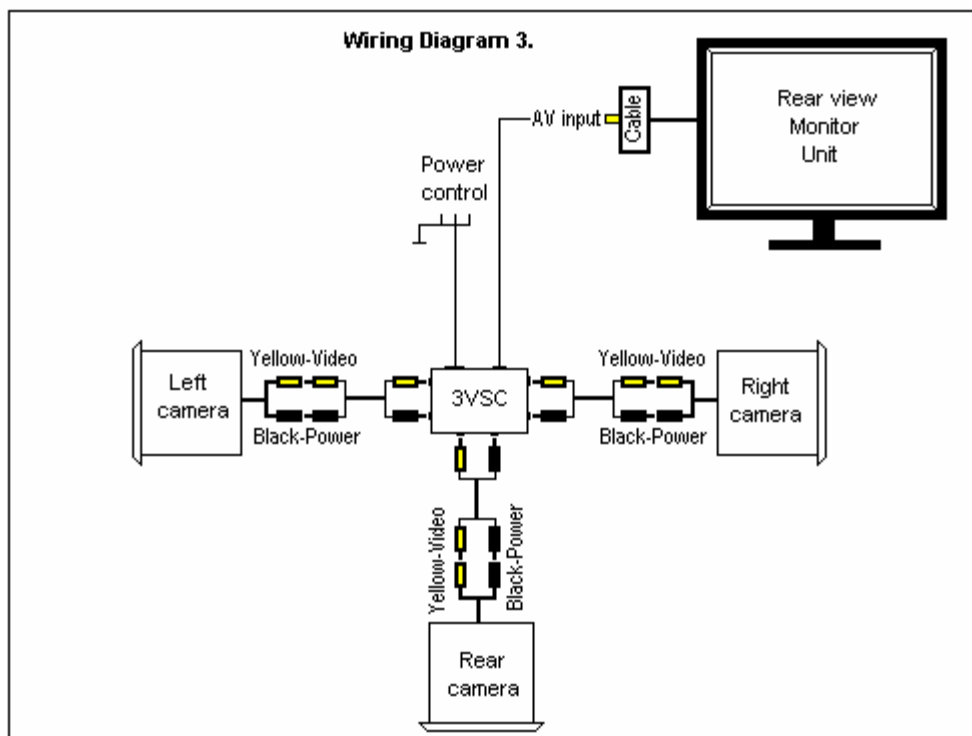
- A. Connect the yellow socket to monitor unit video input, and the black socket to the monitor unit power output, if the Rear view monitor unit has auto reverse camera power on feature. (See Wiring Diagram1.)



- B. Connect the yellow socket to monitor unit video input and the black socket to reverse light power wire by using the power wire, if the Rear view monitor unit does not have auto reverse camera power on feature. When the gear is in the reverse position, the camera is power on. (See Wiring Diagram 2.)



- C. Connect the yellow socket to camera input on Video Switch Control unit (3VSC), if using Rear, Left & Right 3 cameras, connect the black socket to Video Switch Box power distributor wire base on rear, left & right operator options. (See Wiring Diagram 3.)



D. The power connection and video connection are depending on the monitor unit's feature. Before you installing the camera, please see the instructions for the monitor unit first.

E. The SV-6300I Back up camera system is strictly a driver assistant device. It should not be considered safety device for any purposes. Manufacturer and distributors of the product do not guarantee or assume liability for collision or damages that take place when backing up your vehicle.