



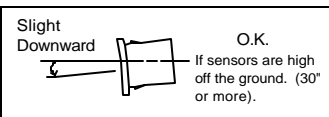
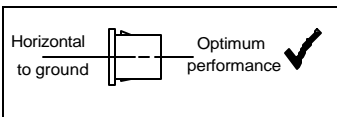
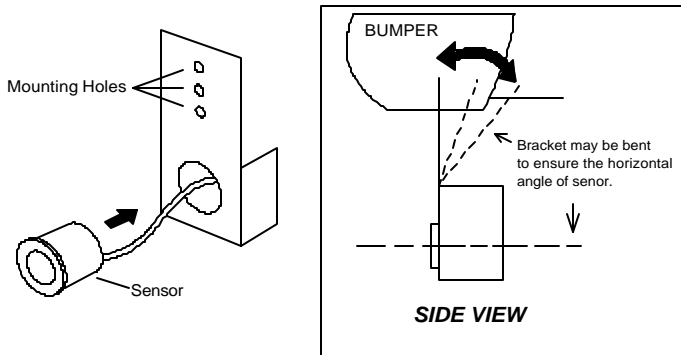
CA-504 BRKT
Optional hanging bracket for
insert type sensors
(CA-5004, 5005, 5006)

INSTALLER TIPS! (Read First):

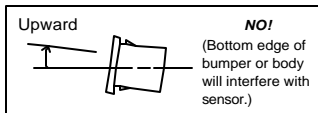
- Use this bracket for under-bumper installation when there is no vertical or solid surface at the rear edge of the vehicle.
- Space sensors evenly apart at the same distance to the ground.
- Keep sensor cables up and away from moving parts.
- Keep sensors on a horizontal plane (perpendicular to ground) for best results.

STEPS:

1. Find a solid location for mounting the sensor. We recommend a sturdy frame member or factory bumper bracket if possible.
2. Place the CA-504BRKT in the desired location.
3. Use any of the bracket's 3 mounting holes as a pilot hole and mark the screw location.
4. Drill hole and mount sensor bracket. (Tools and screws are not included)
5. Feed cable through the opening and insert sensor (It should snap in snugly). Run sensor cable to control module inside the vehicle.



TECH SUPPORT
(800) 998-6880



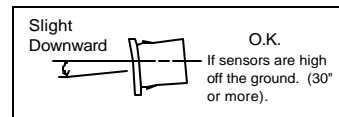
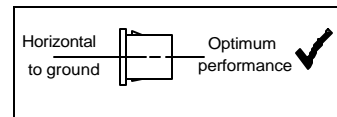
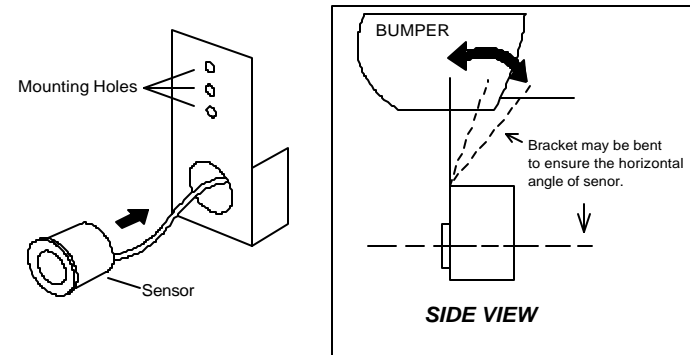
CA-504 BRKT
Optional hanging bracket for
insert type sensors
(CA-5004, 5005, 5006)

INSTALLER TIPS! (Read First):

- Use this bracket for under-bumper installation when there is no vertical or solid surface at the rear edge of the vehicle.
- Space sensors evenly apart at the same distance to the ground.
- Keep sensor cables up and away from moving parts.
- Keep sensors on a horizontal plane (perpendicular to ground) for best results.

STEPS:

1. Find a solid location for mounting the sensor. We recommend a sturdy frame member or factory bumper bracket if possible.
2. Place the CA-504BRKT in the desired location.
3. Use any of the bracket's 3 mounting holes as a pilot hole and mark the screw location.
4. Drill hole and mount sensor bracket. (Tools and screws are not included)
5. Feed cable through the opening and insert sensor (It should snap in snugly). Run sensor cable to control module inside the vehicle.



TECH SUPPORT
(800) 998-6880

