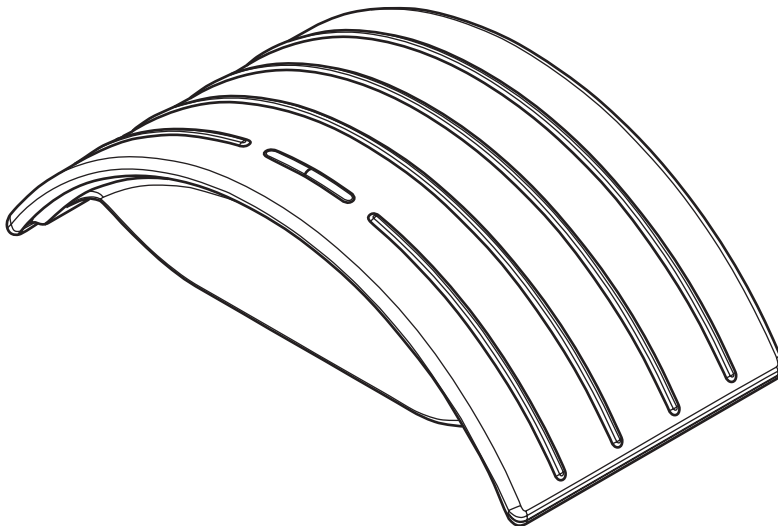




SOUNDCAST



.....
AudioCast Receiver Owners Manual



Thank you for purchasing a Soundcast Systems wireless product. Soundcast products offer the highest quality, interference free wireless audio transmission system available today.

You must have both an AudioCast Transmitter and an AudioCast Receiver to complete your Soundcast AudioCast system!

Read these instructions before operating.

Follow all instructions.

Heed all warnings.

Keep these instructions for future reference.

AC/DC Adapter Power Supply

Use only the AC/DC adapter that was supplied by Soundcast Systems. Do not use a substitute AC/DC adapter. Using an incorrect AC/DC adapter may cause damage to the product and will void its warranty.

Caution: Risk of electric shock. Do not tamper with, modify, open or disassemble.
Do not use near water or in wet environment.

Do not immerse in water or any liquid.

Clean only with dry cloth.

Use only as directed in this user manual.

Do not install or use near any heat sources such as radiators, heat registers, stoves, or other apparatus (including amplifiers) that produce heat.

Do not defeat the safety purpose of the polarized plug. A polarized plug has two blades with one wider than the other. The wide blade is provided for your safety. If the provided plug does not fit into your outlet, consult an electrician for replacement of the obsolete outlet.

Protect the power cord from being walked on or pinched, particularly at plugs, convenience receptacles, and the point where they exit from the power supply.

Use only cables and accessories specified for use with the power supply.

Unplug the power supply when unused for long periods of time or during lightning storms.

Servicing is required when the power supply has been damaged in any way, such as if the power supply cord or plug is damaged, if liquid has been spilled, if objects have fallen onto the power supply, if the power supply has been exposed to rain or moisture, if the power supply does not operate normally, or if the power supply has been dropped.

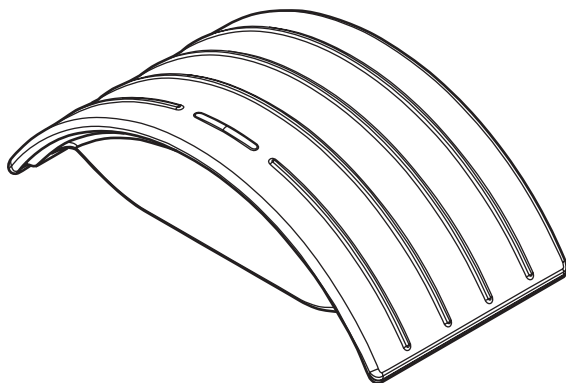
Refer all servicing to qualified service personnel.
Disconnect from the mains by pulling on the mains power plug, not the cord.

WARNING: TO REDUCE THE RISK OF ELECTRIC SHOCK, DO NOT EXPOSE THE POWER SUPPLY TO RAIN OR MOISTURE.

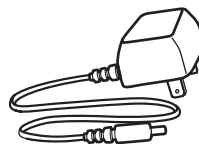
OPERATING INSTRUCTIONS

AudioCast ACR-212/222 Receiver

The following items are included in this package:



AudioCast Receiver



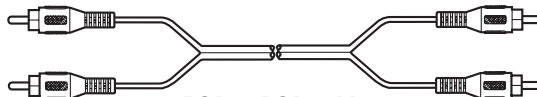
AC/ DC Adapter



3.5 mm Mini to Mini Cable



3.5 mm Mini to RCA cable



RCA to RCA cable

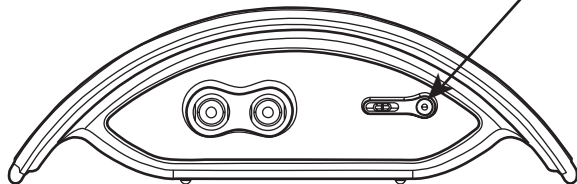


3.5 mm Mini Gender Adapter

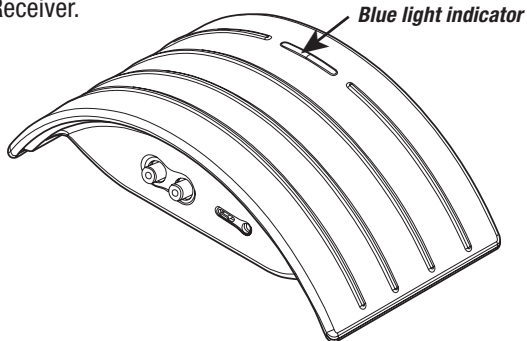


Owners Manual

Installation:

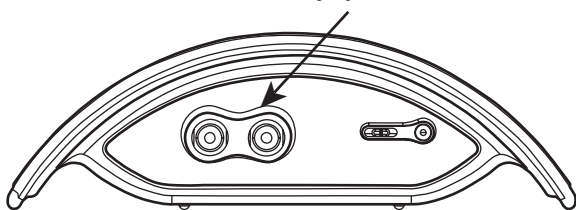


Plug the AC adapter into an AC mains wall socket and attach the power cord to your iCast Receiver by inserting the plug into the correct socket on the back of the iCast Receiver.

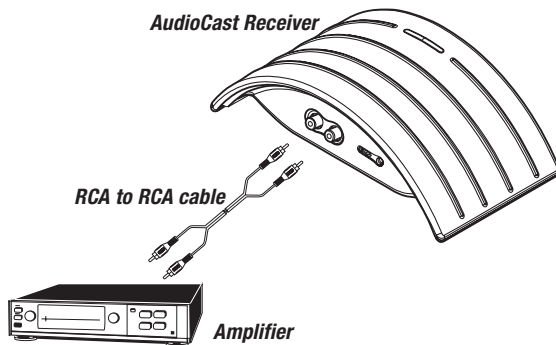


A blue light will glow on the top of the receiver indicating you have power.

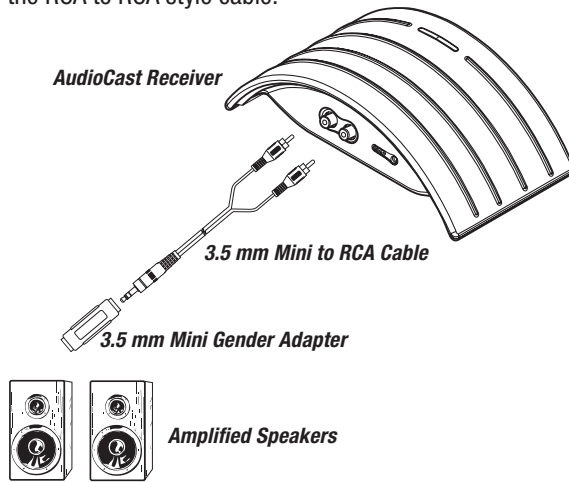
RCA style jack connection



To connect your AudioCast Receiver to your audio system or to a set of amplified multimedia speakers, you will need to select the proper cable. On the back of the AudioCast receiver you will find two RCA style jacks, white for left channel and red for right. There are two different connecting cables included in the box, one with RCA style plugs at each end and one with RCA style plugs on one end and a 3.5 mm mini plug on the



other end. Examine the input jacks on the audio receiver or amplifier and select the proper cable. It is most often the RCA to RCA style cable.



Some amplified speaker systems have mini jacks and some have RCA style jacks. If your amplified speakers only have a mini plug input cable (for inserting in a computer headphone jack) then use the supplied gender adapter, male mini plug to male mini plug.

Note: AudioCast units do not have an internal amplifier. Any speaker systems that are attached to this product must have internal amplifiers in order to play music.

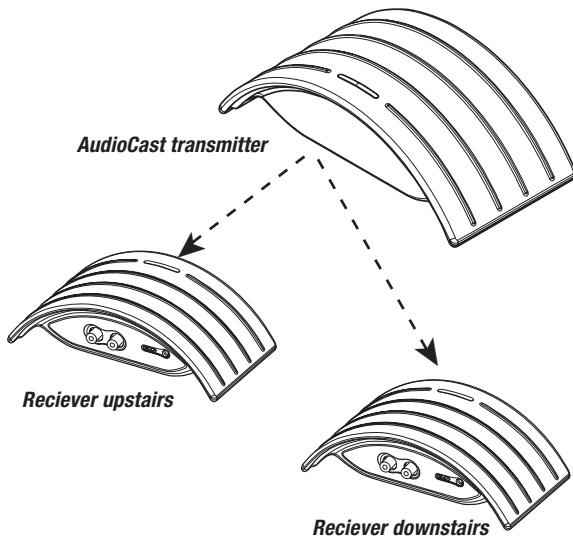
Operating Your AudioCast System

To complete your AudioCast system you will need an AudioCast Transmitter. Once you have correctly installed your AudioCast Receiver and Transmitter, you are ready to transmit your music. The AudioCast Receiver should be installed at a distance of no more than 150 feet (45 meters) from your AudioCast Transmitter when used indoors. Outdoors, the signal may carry up to 350 feet (100 meters) depending on conditions. On each Soundcast product there is a second blue light that will flicker and then glow steadily once the wireless link is established. Once the link is in place, you should be able to hear the music from your MP3 player or other music source through the device connected to the AudioCast Receiver.

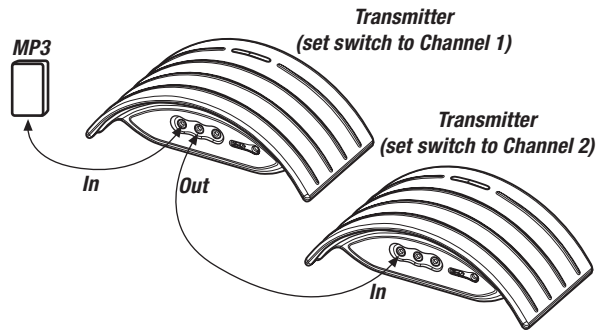
You can leave the AudioCast system hooked up 24 hours per day if you wish to do so – it is designed for continuous operation. However, if you do not intend to use the system for an extended period of time, you should disconnect the power supplies from the wall outlets to conserve energy.

Additional Features

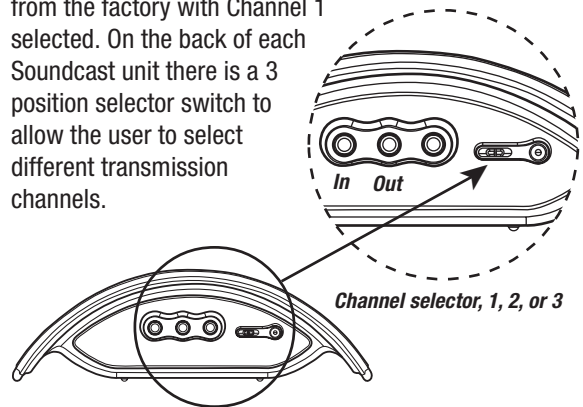
Each AudioCast Transmitter can operate up to two AudioCast Receivers. This means you can purchase a



second receiver from your retailer and transmit audio to two different locations in your house. You can also connect two AudioCast Transmitters to the same audio source using the output of one Transmitter linked to input of another Transmitter. By linking two transmitters in this manner, and by using two AudioCast Receivers for each one, you can create a four zone audio system. Please remember that the same music source will be heard in all four zones and that you can only link a maximum of two transmitters in this fashion.



It is also possible to operate two entirely different Soundcast systems in the same household if you wish. Two transmitters can operate within the same 150 foot (45 meter) radius by using the channel selector switch on the back of the unit. All Soundcast products come from the factory with Channel 1 selected. On the back of each Soundcast unit there is a 3 position selector switch to allow the user to select different transmission channels.



When you wish to use two Soundcast systems at the same time, leave one system on Channel 1 and move the selector switch to on the second system to Channel 2 or 3. Please remember that both the Transmitter and Receiver must set on the same Channel. When set this way, the two systems will not conflict with each other and you can use two different music sources operating two different audio systems in the same house.

The Channel selector switch will also allow you to eliminate the signal from a neighbor's Soundcast system. If you live in an apartment building and find that you receive music from another Soundcast system, simply move the selector switches on your Soundcast Transmitter and Receiver to a different Channel and the unwanted signal will stop being received.

Should you have any additional questions concerning the installation or use of your Soundcast products, please contact Soundcast via E-mail at customersupport@soundcastsystems.com.

Information to User

This device complies with Part 15 of the FCC Rules. Operation is subject to the following two conditions: (1) This device may not cause harmful interference, and (2) This device must accept any interference received, including interference that may cause undesired operation.

This equipment has been tested and found to comply with the limits for Class B Digital Device, pursuant to Part 15 of the FCC Rules. These limits are designed to provide reasonable protection against harmful interference in a residential installation. This equipment generates and can radiate radio frequency energy and, if not installed and used in accordance with the instructions, may cause harmful interference to radio communications. However, there is no guarantee that interference will not occur in a particular installation. If this equipment does cause harmful interference to radio or television reception, which can be determined by turning the equipment off and on, the user is encouraged to try to correct the interference by one or more of the following measures.

- Reorient or relocate the receiver or transmitter
- Increase the separation between the equipment and receiver
- Connect the equipment into an outlet on a circuit different from that to which the receiver is connected
- Consult the dealer or an experienced radio/TV technician for help

Any changes or modifications not expressly approved by the party responsible for compliance could void the user's authority to operate the equipment.



SOUNDCAST

Soundcast Systems

811 Kuhn Drive, Building 200

Chula Vista, California 91914

1-619-591-0126

USA & Canada Warranty

Soundcast Systems warrants to the end user ("Customer") that the hardware product will be free from defects in workmanship and materials, under normal use and service, for the following length of time from the date of purchase from Soundcast or an authorized retailer: **One (1) Year.**

Soundcast Systems' sole obligation under this express warranty shall be, at its option and expense, to repair the defective product or part, deliver to Customer an equivalent product or part to replace the defective item. All products that are replaced will become the property of Soundcast Systems. Replacement products may be new or refurbished. Soundcast Systems warrants any replaced or repaired product or part for a period of ninety (90) days from shipment, or the remainder of the initial warranty period, whichever is longer.

In no case shall Soundcast be responsible for damage to any connected audio equipment, including the iPod, resulting from misuse, abuse, neglect, improper installation or testing, unspecified application, modification or alteration of or tampering with Soundcast products.

If you need warranty service on your Soundcast Products

All warranty returns should be sent to Soundcast's Warranty Repair Service Center freight prepaid through the original selling retailer and must be accompanied by a copy of the original sales receipt. Direct returns from consumers will also be accepted, but only if accompanied by a Return Merchandise Authorization number (RMA) issued by Soundcast in advance of any shipment to the Soundcast Warranty Repair Service Center. Units returned without an RMA number to Soundcast may be subject to refusal or significant delays. Please ship the authorized return to Soundcast within 15 days of the issuance of the RMA. Repaired or replacement units will be shipped to you at Soundcast's expense. Any units with no trouble found will be returned to you freight collect. Soundcast Systems will give you the proper return address when the RMA is issued. Do not return the defective unit directly to Soundcast Systems.

For Warranty Service Please Contact:



Soundcast Systems
Warranty Claim Department
811 Kuhn Drive, Building 200
Chula Vista, California 91914
619-591-0126

customersupport@soundcastsystems.com