



ALTV248 CCTV Camera & Accessory Power Supply

Overview:

The Altronix ALTV248 CCTV Power Supply is designed with eight (8) individually fused outputs for powering CCTV Cameras and other video accessories. It will provide 24VAC distributed via eight (8) fused outputs with a total of 4 amps continuous supply current.

Specifications:

- Input 115VAC 50 / 60 Hz, .9 amps
- 4 amps (100VA) supply current
- Eight (8) 24VAC individually fused outputs
- Output fuses are rated at 3.5 amps / 250VAC. (see Fig. 1, #4).
- Main fuses are rated at 5 amps / 250VAC. (see Fig. 1, #5).
- AC power LED indicator
- Power ON/OFF switch
- Spare fuse included
- Surge protected outputs
- Unit maintains camera synchronization
- Ease of installation saves time and eliminates costly labor

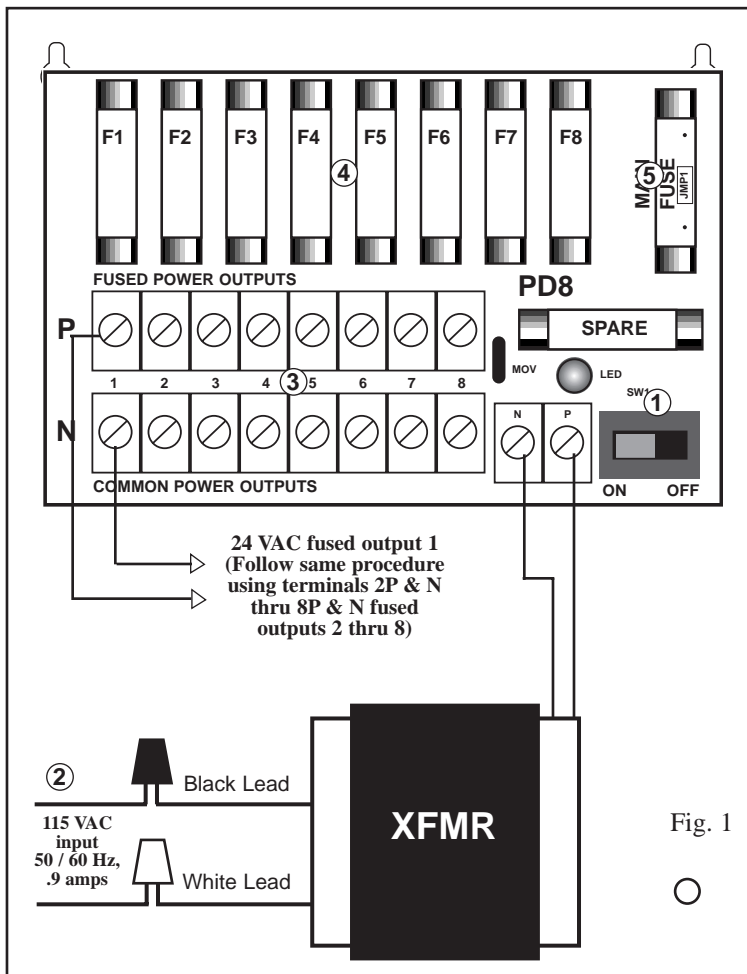
Enclosure dimensions: 8.5"H x 7.5"W x 3.5"D

Optional available with 220VAC input order model # ALTV248/220.

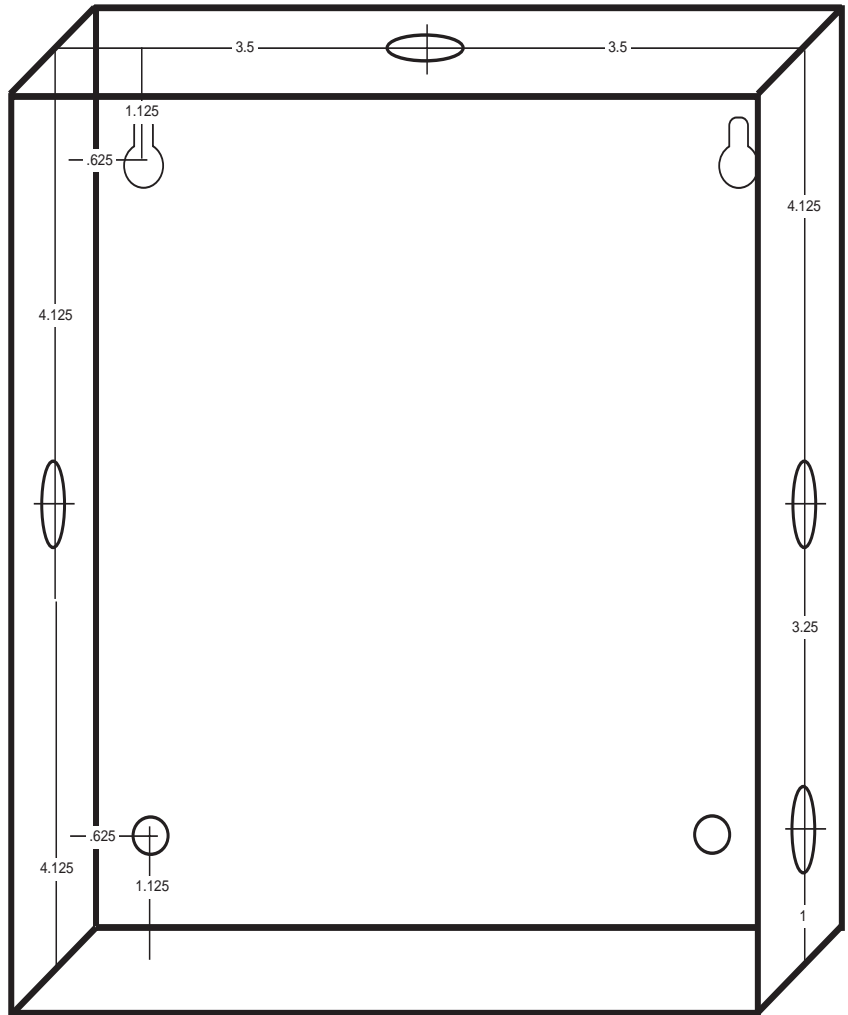
Installation Instructions:

1. Mount ALTV248 in desired location
2. Slide switch SW1 (see Fig. 1, #1) to OFF position.
3. Connect the AC (115 VAC 50 / 60 Hz) to the black and white flying leads of the transformer (see Fig 1, #2).
4. Connect each camera to terminal pairs 1 to 8, marked "1P-1N thru 8P - 8N" (see Fig 1, #3)
Note: Is good operating practice to measure output voltage before connecting devices. All terminals with common suffix P 1P, 2P..." are same polarity.
5. Slide switch SW1 (see Fig. 1, #1) to ON position.
6. Green LED will illuminate when AC power is present
7. Upon completion of wiring, secure enclosure door with screws (supplied)

WARNING: To reduce the risk of fire or electric shock, do not expose the unit to rain or moisture. This installation should be made by qualified service personnel and should conform to all local codes and in accordance with the National Electrical Codes.



Enclosure:
NEMA 1 Rated
8.5"H x 7.5"W x 3.5"D



Altronix is not responsible for any typographical errors. Product specifications are subject to change without notice.

MEMBER

Altronix Corp.
140 58th Street, Brooklyn, New York 11220 USA, 718-567-8181, fax: 718-567-9056
website: www.altronix.com, e-mail: info@altronix.com, Lifetime Warranty, Made in U.S.A.