



# ALTV2416 CCTV Camera & Accessory Power Supply

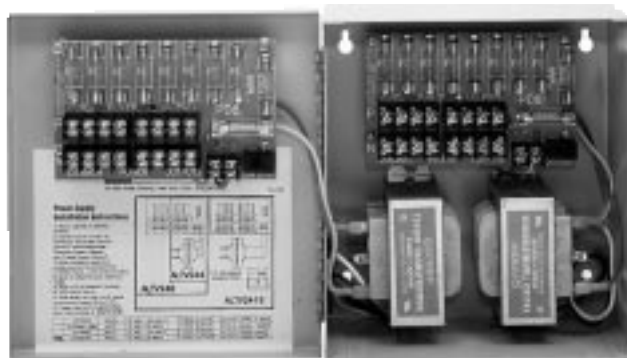
## Overview:

The Altronix ALTV2416 CCTV Power Supply is designed with 16 individually fused outputs for powering CCTV Cameras and other video accessories. It will provide 24VAC distributed via 16 fuse output with a total of 8 amps continuous supply current.

## Specifications:

- Input 115VAC/60Hz, 1.8 amp.
- 16 individually fused outputs.
- Output fuses are rated at 3.5 amps / 250VAC (Fig. 1).
- Main fuses are rated at 5 amp / 250VAC (Fig. 1).
- 24 VAC output.
- 8 amps (200 VA) supply current.
- AC power LED indicator.
- Surge protection.
- Unit maintains camera synchronization.
- Power ON/OFF switch.
- Ease of installation saves time and eliminates costly labor.
- Unit is supplied assembled in enclosure.
- Spare fuses included.

Enclosure dimensions: 8"H x 7.25"W x 3.5"D



## Installation Instructions:

1. Mount ALTV2416 in desired location.
2. Slide switch SW1 (Fig. 1) to OFF position.
3. Connect the AC (115 VAC 50 / 60 Hz) to the two black and white flying leads of the transformers (Fig. 1).
4. Connect devices to output terminals using the following procedure (Fig. 1).  
Circuit Board A - Camera 1 thru 8 output terminals 1P & 1N thru 8P & 8N.  
Circuit Board B - Camera 9 thru 16 output terminals 1P & 1N thru 8P & 8N.  
**Note:** Is good operating practice to measure output voltage before connecting devices.  
All terminals with common suffix P 1P, 2P..." are same polarity.
5. Slide switch SW1 (Fig. 1) to ON position.
6. Green LED will illuminate when AC power is present
7. Upon completion of wiring, secure enclosure door with screws (supplied).

**WARNING:** To reduce the risk of fire or electric shock, do not expose the unit to rain or moisture.

This installation should be made by qualified service personnel and should conform to all local codes and in accordance with the National Electrical Codes.

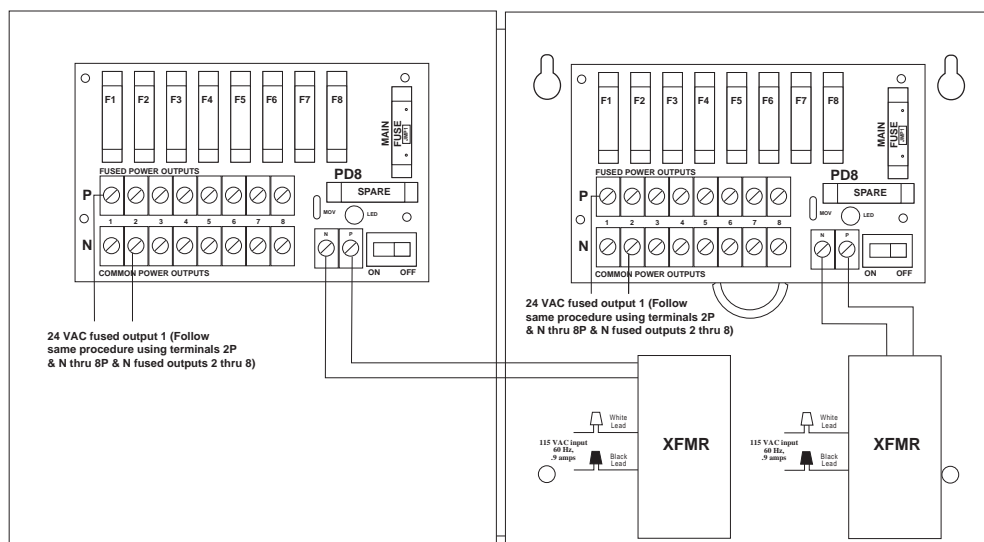
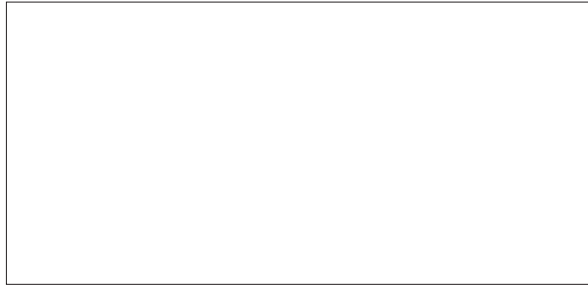
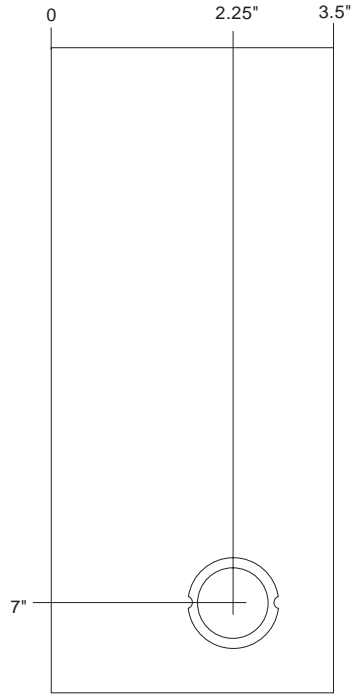
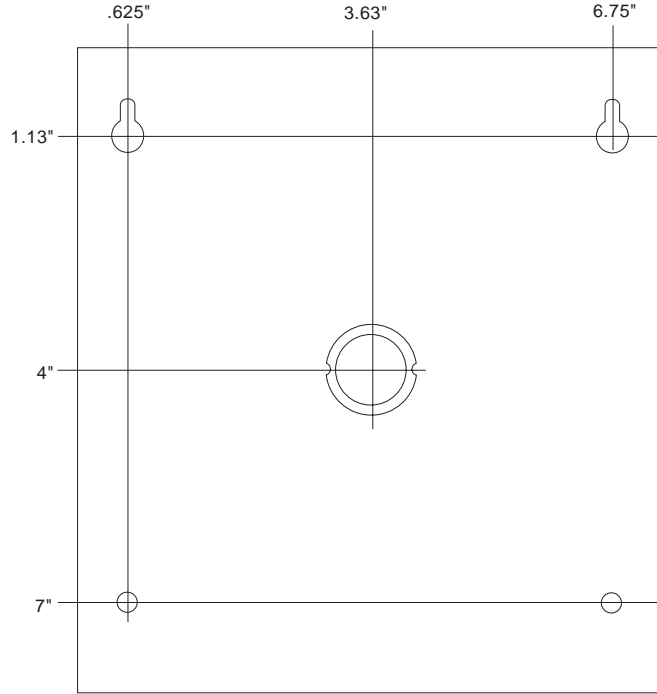
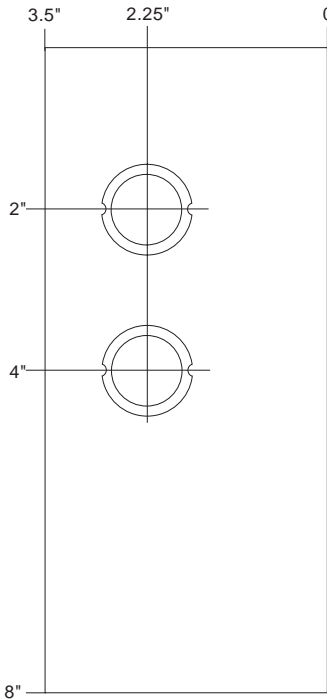
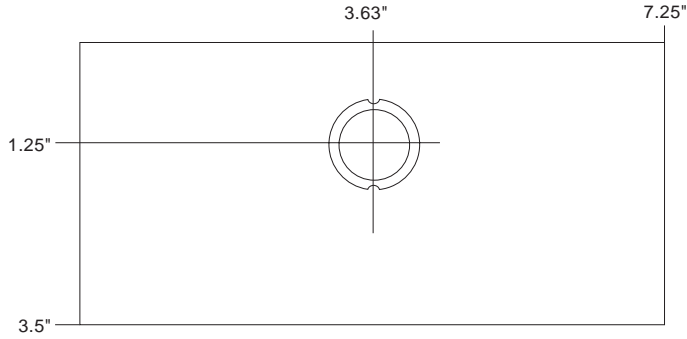


Fig. 1

**Enclosure dimensions:**  
**8"H x 7.25"W x 3.5"D**



Altronix is not responsible for any typographical errors. Product specifications are subject to change without notice.