



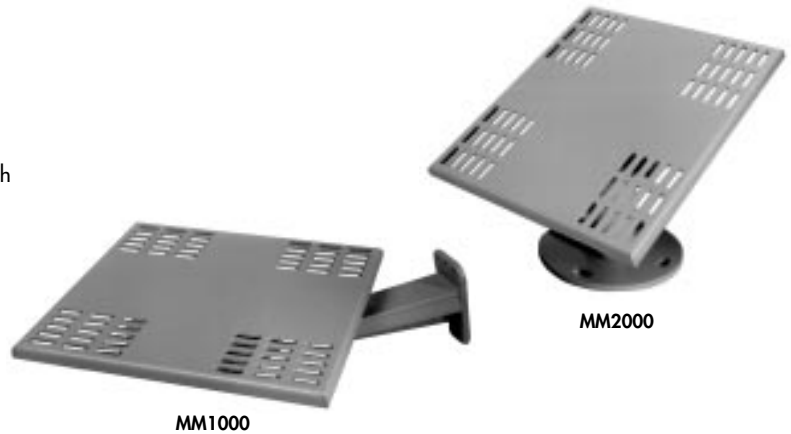
# PRODUCT SPECIFICATION

## MM1000/MM2000/MM3000 Mount CEILING, PEDESTAL, WALL MOUNT, MONITOR



### Product Features

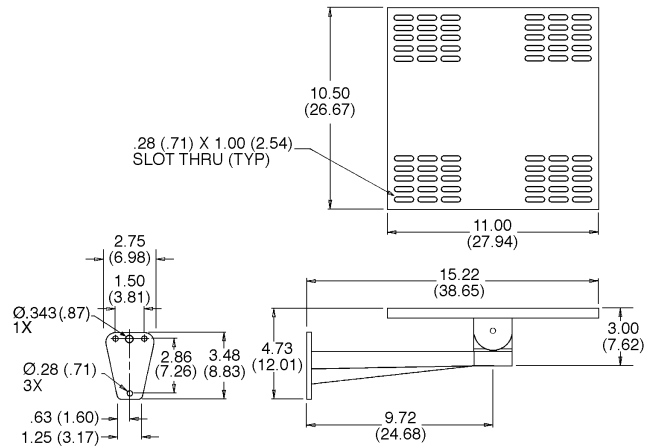
- Low Cost
- Supports up to 40 lb (18 kg)
- Designed for 9-inch (22.86 cm) and 12-inch (30.48 cm) CCTV Monitors
- Universal Monitor Mounting
- Attractive, Unobtrusive Design
- Lightweight for Fast, Easy Installation
- Ceiling, Pedestal, or Wall Mounting



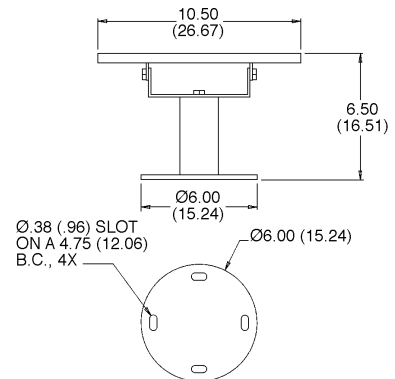
The **MM1000/MM2000/MM3000** are universal monitor mounts constructed from aluminum and capable of supporting a 9-inch (22.86 cm) or 12-inch (30.48 cm) monitor weighing up to 40 pounds (18 kg). The **MM1000** mounts to a wall or vertical surface; the **MM2000** mounts to a flat horizontal surface; and the **MM3000** attaches to a ceiling or flat, overhead surface.

The universal mounting head allows the **MM1000/MM2000/MM3000** to adapt to most 9-inch (22.86 cm) or 12-inch (30.48 cm) CCTV monitors on the market. Support pan extension brackets are provided to accommodate monitors with slightly different hole patterns or rubber feet. Horizontal and vertical adjustments allow you to position the monitor.

In addition, the **MM1000** can be adapted for mounting on a pole when used with the PA101 pole mount. (Minimum 3-inch diameter pole required.)



MM1000 DIMENSION DRAWING



NOTE: VALUES IN PARENTHESES ARE CENTIMETERS; ALL OTHERS ARE INCHES.

MM2000 DIMENSION DRAWING



## TECHNICAL SPECIFICATIONS

### MODELS

MM1000	Wall mount for 9-inch (22.86 cm) and 12-inch (30.48 cm) CCTV monitors
MM2000	Pedestal mount for 9-inch (22.86 cm) and 12-inch (30.48 cm) CCTV monitors
MM3000	Ceiling mount for 9-inch (22.86 cm) and 12-inch (30.48 cm) CCTV monitors

### MECHANICAL

Pan Adjustment	Unlimited 360°
Tilt Adjustment	
MM1000	+10°, -90°
MM2000	±45°
MM3000	45° maximum forward tilt
Monitor Mounting	Multiple slotted holes in monitor support pan (4 mounting screws required, not supplied)
Locking Method	3/8-16 Allen head bolts
Mounting Method	Secure to ceiling, wall, or horizontal surface as noted:
MM1000	Three (3) 1/4-20 fasteners or one (1) 1/4" dia. and one 5/16" dia. fastener for center mount holes in applications where wall studs are encountered
MM2000	Four (4) 1/4-20 fasteners
MM3000	Two (2) 1/4-20 fasteners (Minimum recommended size)

### GENERAL

Construction	Aluminum
Finish	Gray polyester powder coat
Dimensions	See dimension drawings
Maximum Load	40 lb (18 kg)
Weight	<u>Unit</u> <u>Shipping</u>
MM1000/MM2000	5 lb (2.25 kg)              7 lb (3.15 kg)
MM3000	8 lb (3.62 kg)              9 lb (4.05 kg)

### CERTIFICATIONS

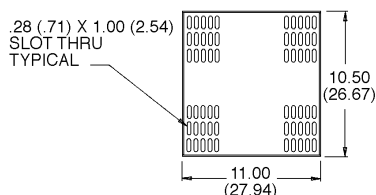
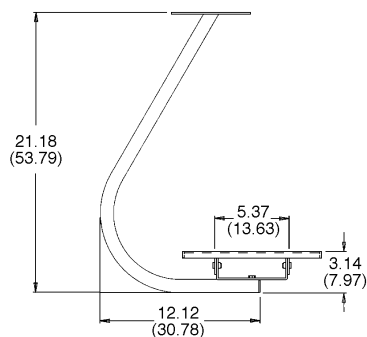
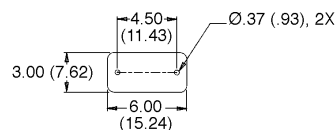
- ◆ UL listed to Standard 2044

### OPTIONAL MOUNT ADAPTERS

PA101	Pole mount adapter for MM1000. (See C250 spec)
-------	---



MM3000



NOTE: VALUES IN PARENTHESES ARE CENTIMETERS; ALL OTHERS ARE INCHES.

MM3000 DIMENSION DRAWING

Specifications subject to change without notice.  
©Copyright 1997, PELCO. All rights reserved.