



PRODUCT SPECIFICATION

EH4700 Series Enclosure ENVIRONMENTAL, MEDIUM



Product Features

- Designed for Indoor/Outdoor Applications; For use with Fixed Mount or Pan/Tilt
- Die Cast and Extruded Aluminum Construction
- Gas Spring Assisted Forward Opening Lid
- Cable Entry Glands and Mounting Holes Located on Bottom of Enclosure
- Special Options Include 120 VAC Outlet and Preset Lens Wiring Harness



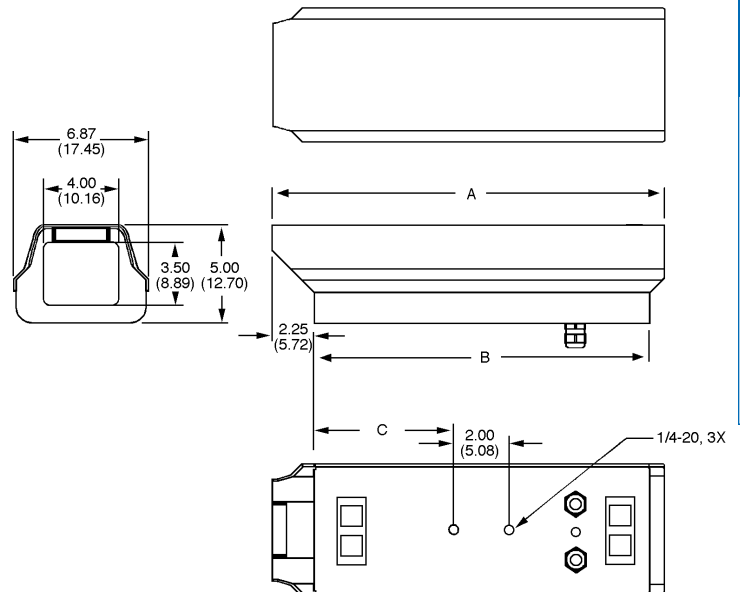
The **EH4700 Series** environmental enclosures are constructed from die cast and extruded aluminum and are available in 18-inch (45.72 cm) (EH4718) or 22-inch (55.88 cm) (EH4722) lengths.

The **EH4700 Series** is designed to accept CCD cameras with either fixed focal length lenses or motorized zoom lenses (up to 10X). The camera sled is removable and can be inverted to accommodate various camera and lens combinations.

The enclosure opens from the rear by unlatching the rear-mount, link-lock latch. The forward opening lid allows for maximum accessibility during installation/servicing and can be removed, if necessary. A unique gas spring securely holds the lid when fully opened. If desired, the link-lock latch can be secured with a padlock of suitable size for additional security.

The **EH4700 Series** is available with a full complement of factory and field installed accessories which include blower, heater, window defroster, sun shroud, thermal insulation, 120 VAC electrical outlet and preset position lens wiring harness.

The **EH4700 Series** can be used in fixed mount applications or mounted to a medium duty pan/tilt such as our PT680 Series.



Ltr	DIM.	MODEL
A	21.2 (53.84)	EH4718
	25.2 (64.00)	EH4722
B	18.3 (46.48)	EH4718
	22.3 (56.64)	EH4722
C	7.00 (17.78)	EH4718
	9.00 (22.86)	EH4722

NOTE: VALUES IN PARENTHESES ARE CENTIMETERS; ALL OTHERS ARE INCHES.



TECHNICAL SPECIFICATIONS

MODELS

EH4718	Enclosure, environmental, 18-inch (45.72 cm) lower body length
EH4718-1	Same as EH4718 except has 120V thermostat controlled heater and blower
EH4718-2	Same as EH4718-1 except has 24V thermostat controlled heater and blower
EH4718-3	Same as EH4718-1 except has 230V thermostat controlled heater and blower
EH4722	Enclosure, environmental, 22-inch (55.88 cm) lower body length
EH4722-1	Same as EH4722 except has 120V thermostat controlled heater and blower
EH4722-2	Same as EH4722-1 except has 24V thermostat controlled heater and blower
EH4722-3	Same as EH4722-1 except has 230V thermostat controlled heater and blower

MECHANICAL

Cable Entry	Two (2) PG13.5 compression glands on bottom; 0.47-inch (1.19 cm) maximum cable diameter
Cable Entry Holes	Ø.875-inch (2.22 cm); will accept 0.5-inch (1.27 cm) conduit fitting when compression gland is removed
Camera Mounting	Removable camera sled; can be inverted to accommodate various cameras and lenses
Rear Latch	Link-lock, No. 3, stainless steel; can be secured with padlock (not supplied)

ELECTRICAL

Input Voltage	24 VAC, 120 VAC or 230 VAC, 50/60Hz		
Electrical Connection	Connectors for power input, lens, camera and accessories (-1/-2/-3 models only)		
Power Consumption	<u>120 VAC</u>	<u>24 VAC</u>	<u>230 VAC</u>
Heater	60 watts	50 watts	55 watts
Defroster	15 watts	15 watts	15 watts
Blower	8 watts	8 watts	8 watts
(-1/-2/-3 models only)	Heater/Defroster activates ON at 42-58°F (6-14°C) and OFF at 72-88°F (22-31°C). Blower activates ON at 77-93°F (25-34°C) and OFF at 62-78°F (17-26°C).		

GENERAL

Maximum Camera and Lens Size	Accepts camera & lens combinations (including BNC connector) up to:	
EH4718	17.0" L x 5.5" W x 4.25" H (43.18 cm x 13.97 cm x 10.795 cm)	
EH4718-1/-2/-3	13.0" L x 4.75" W x 4.25" H (33.02 cm x 12.07 cm x 10.795 cm)	
EH4722	21.0" L x 5.5" W x 4.25" H (53.34 cm x 13.97 cm x 10.795 cm)	
EH4722-1/-2/-3	17.0" L x 4.75" W x 4.25" H (43.18 cm x 12.07 cm x 10.795 cm)	
Viewing Window	.25-inch (6.35 mm) thick Lexan MR5 extruded polycarbonate, UV stabilized, MARGARD silicone hardcoat	
Viewing Window Area	3.50" H x 4.00" W (8.89 cm x 10.16 cm)	
Construction	Die-cast, extruded, and sheet aluminum	
Finish	Gray polyester powder coat	
Environment	Indoor/outdoor; -10° to 120°F (-23.33° to 48.89°C)	
Dimensions	See dimension drawing on front page	
Weight	<u>Unit</u>	<u>Shipping</u>
EH4718	7.25 lb (3.28 kg)	8.75 lb (3.96 kg)
EH4718-1/-2/-3	8.5 lb (3.85 kg)	10 lb (4.53 kg)
EH4722	8.5 lb (3.85 kg)	10.5 lb (4.75 kg)
EH4722-1/-2/-3	9.75 lb (4.42 kg)	11 lb (4.98 kg)

CERTIFICATIONS

- ◆ UL listed to Standard 2044 (except 230 VAC models)
NEMA Rating: 3R (4 when block-off plates are used)
- ◆ CE compliant (models EH4718/-2/-3 and EH4722/-2/-3 only)

OPTIONAL ACCESSORIES

BK47-1	Blower kit, 120V, 8W (continuous duty)
BK47-2	Blower kit, 24V, 8W (continuous duty)
BK47-3	Blower kit, 230V, 8W (continuous duty)
HK47-1	Heater kit, 120V, 60W (continuous duty)
HK47-2	Heater kit, 24V, 50W (continuous duty)
HK47-3	Heater kit, 230V, 55W (continuous duty)
O/I-PCB	Control board with terminal blocks and thermostats for optional accessories (one per enclosure required for thermostat controlled operation)
O/I-LPP	Preset position lens wire harness
O/I-OUTLET	120 VAC electrical outlet
SS4718	Sun shroud for EH4718 series enclosures
SS4722	Sun shroud for EH4722 series enclosures
TI47	Thermal insulation
WD47-1	Window defroster, 120V, 15W
WD47-2	Window defroster, 24V, 15W
WD47-3	Window defroster, 230V, 15W
Note:	Blower, heater, defroster and wiper kits are factory wired with a connector that plugs into the O/I-PCB.

RECOMMENDED MOUNTS

Ceiling/Pedestal	
EM1009U	Medium duty pedestal mount. Max. load 40 lb EM1015U (18.12 kg). (See C202 spec)
MM22	Medium duty pedestal mount. Max load 40 lb (18.12 kg). (See C227 spec)
PM2000/PM2010*	Pedestal mounts. Max. load 125 lb (56.63 kg). (See C255 spec)
Wall	
EM1400	Light duty wall mount. Max. load 20 lb (9.06 kg). (See C260 spec)
EM1900U	Medium duty wall mount. Max. load 40 lb (18.12 kg). (See C202 spec)
EM22	Medium duty wall mount. Max. load 40 lb (18.12 kg). (See C227 spec)
EM2400	Light duty wall mount. Max. load 20 lb (9.06 kg) (See C260 spec)
WM2000*	Universal wall mount. Max. load 75 lb (33.97 kg). (See C266 spec)
Pipe/Pole	
EM1109	Medium duty pedestal mount for pipe/pole. Max. load 40 lb (18.12 kg). (See C207 spec)
EM2000	Medium duty mount for pipe/pole applications. Max. load 40 lb (18.12 kg). (See C207 spec)
EM2200	Medium duty mount for pipe/pole applications. Max. load 40 lb (18.12 kg). (See C207 spec)
Adapter	
AH1000	Manually adjustable pan/tilt head. (See C255/C266 spec)

*Use with AH1000 adjustable head.

RECOMMENDED PAN/TILT

PT680 Series	Medium duty pan/tilt, 24 VAC. Max. load 50 lb (22.7 kg). (See C337 spec)
PT570 Series	Medium duty pan/tilt, 120 or 24 VAC. Max. load 40 lb (22.7 kg). (See C330 spec)

Specifications subject to change without notice.
©Copyright 1997, PELCO. All rights reserved.