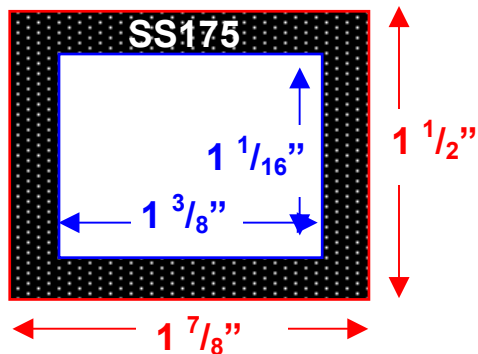


Screen-Shade_™ Fit Guide - 3 Easy Steps:

1. Print this page (do not resize).
 2. Cut out around the outside and inside of the black rectangles. You should be left with black frames with no paper in the center. The black frames indicate where Velcro will attach to your camera.
 3. Hold the black frames up to your camera's LCD screen
- Important:** Only 3 sides of the Velcro frame are required for a secure hold, and Velcro may be trimmed with scissors to avoid camera controls.

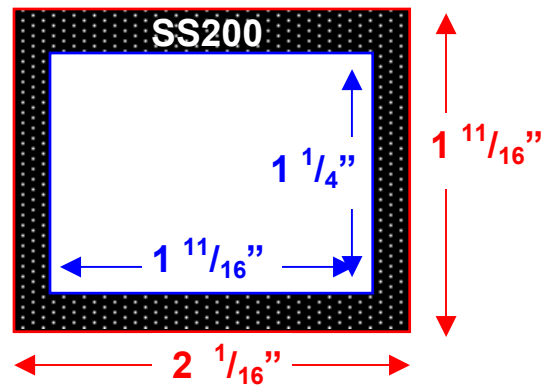
Screen-Shade 175

Diagonal Inside: $1 \frac{3}{4}$ "
Diagonal Outside $2 \frac{1}{4}$ "



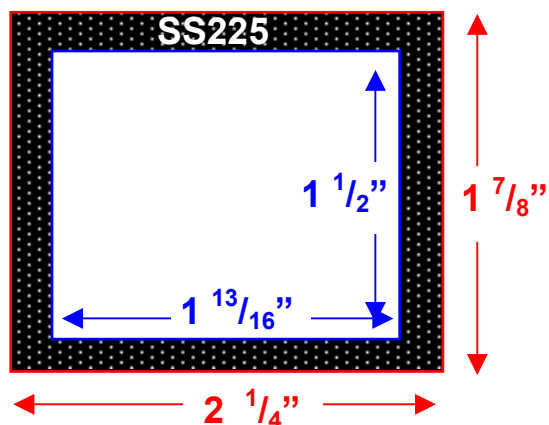
Screen-Shade 200

Diagonal Inside: 2"
Diagonal Outside $2 \frac{1}{2}$ "



Screen-Shade 225

Diagonal Inside: $2 \frac{1}{4}$ "
Diagonal Outside $2 \frac{3}{4}$ "



Screen-Shade 250

Diagonal Inside: $2 \frac{1}{2}$ "
Diagonal Outside 3"

