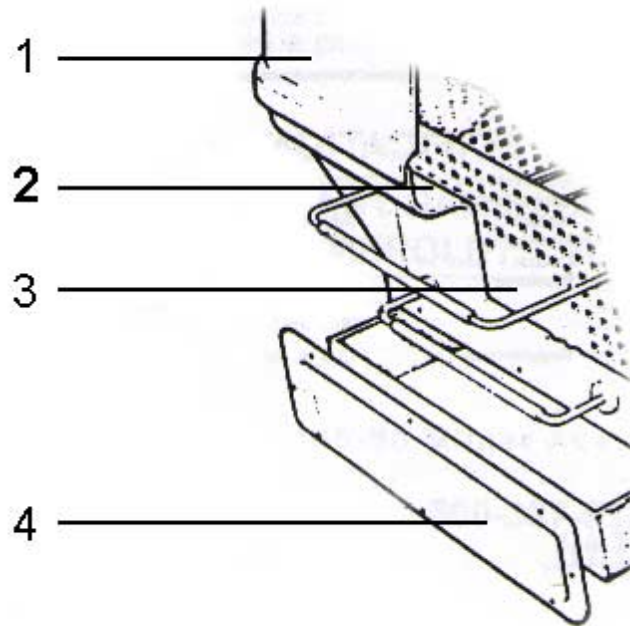


# SANCOR™ Air Solution INSTALLATION INSTRUCTIONS

To install the Sancor™ Air Solution properly, please follow the guidelines below.

1. On the Air Solution Cartridge, rotate the hinged tab upward to puncture the foil. (See illustration on air solution cartridge.)
2. Fold the stem of the wick slightly and insert into the opening in the foil.
3. Insert the air solution cartridge (with wick installed) through the toilet seat in Envirolet™ Self-Contained Systems and through the Service Panel in Envirolet™ Remote Systems and place it in between the black Aeration Basket and the plastic body of the Envirolet™ Composting System. (See illustration below.)
4. The contour in the plastic body will act as a ledge for the cartridge to rest on.



- ① Plastic body of composting unit
- ② **PLACE SANCOR™ AIR SOLUTION CARTRIDGE (WITH WICK INSERTED) HERE**
- ③ Black Aeration Basket
- ④ Bottom Panel

*Please call Sancor™ if you have any questions.*

☎ USA 1-800-387-5126

☎ CDA 1-800-387-5245