

## USER INFORMATION

Damp or wet material that has been dyed, or is not colorfast, can cause discoloration to the finish if that material is draped over the Wonderbar™ while it is hot. Again, it is suggested that items are dried by using a completely protective layer of material, such as a towel, underneath.

This Wonderbar is intended only for drying textiles that have been washed in water. Fabrics that contain soap or detergent residue (or any other liquid or substance) may discolor and show what appear to be scorch marks. However, this is simply discoloration of the residue or substance. The Wonderbar does not reach sufficient temperature to scorch fabric when operated correctly.

Warmrails does not accept responsibility for any damage, discoloration or other damage to any item regardless of circumstance. To reduce the possibility of damage, do not place any items other than towels directly on the heated bars – always have a completely protective layer of towel between the Wonderbar and any other item or garment.

## CARE

The Wonderbar should be wiped down from time to time with a damp cloth.

**Do not use any abrasive or corrosive cleaners**

## WARRANTY

This product has a limited warranty for one full year from the date of purchase. Please keep your receipt for your records. If your Wonderbar™ is defective or you have questions, do not return it to the store but rather call toll free (877) 927.6724

Marketed and Distributed by

**Warmrails**

Huntington Beach, CA 92649  
Phone Toll Free: (877) 927.6724

Warmrails

# WONDERBAR

## PORTABLE HEATED TOWEL RAIL

## INSTRUCTION MANUAL

Thank you for purchasing the Wonderbar™ Warmrail & Drying Rack, we are sure it will make a valuable addition to your home. As well as warming your towels, your Wonderbar™ will keep your towels dry and fresh. In fact, you can even use it for heating robes and blankets, as well as drying laundry items and garments you don't want to put into the tumble dryer!

To get the best results from your Wonderbar™ towels should be folded over a couple of times to allow the heat to build up in the fiber of the towel. Avoid placing the Wonderbar™ in an area where it is drafty or likely to be knocked.

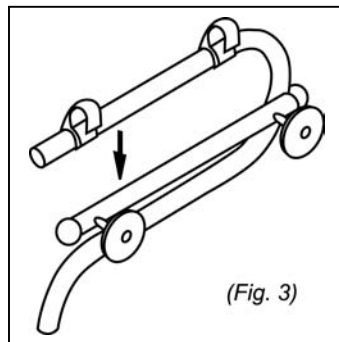
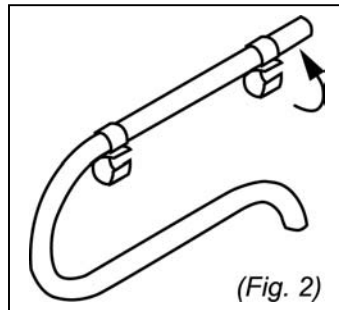
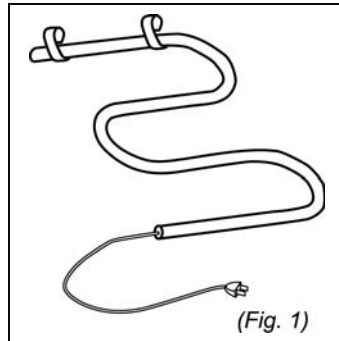


Printed in China



## INSTALLATION

- Remove the Wonderbar™ from the carton and lay flat on the floor or a table. It should look like this: (Fig.1)
- Make sure all pieces are present. (Do not try to install the Wonderbar™ if any parts are missing. Contact customer service for replacement parts.)
- Locate the two hanging clips and rotate them through 180 degrees so the hanging clips are at the top. (Fig. 2)
- Slide the locking wires down and place the hanging clips over an existing towel bar. (Fig. 3) Ensure the hanging clips fit completely and entirely around the towel bar. Raise the locking wire and 'snap' it into place. Do not install the Wonderbar™ in any location where it is unable to be secured properly or if the locking wires are unable to be 'snapped' into the correct closed position.
- Plug the cord into a 120V outlet
- Your Wonderbar™ will start to heat up almost immediately. The temperature will be higher in areas where the Wonderbar™ is covered by towels or garments



## IMPORTANT INFORMATION

### WARNINGS

- Your Wonderbar™ Warmrail & drying rack is not a toy. It will heat up and may appear hot to the touch. It is safe to leave your warm rail running continuously 24 hours a day, but it should be used responsibly at all times.
- Do NOT immerse the Wonderbar™ in water or any other liquid. The Wonderbar™ should not be installed in a location where it comes into contact with water or could accidentally be splashed or immersed in water or other liquids.

### HIGH OPERATING TEMPERATURE:

- This towel warmer operates at high temperatures that can cause burns.
- Do not touch surfaces of the towel warmer while the warmer is in operation.
- Do not allow unsupervised children in the vicinity of the towel warmer, and warn children of hot surfaces.

### TO AVOID THE POSSIBILITY OF ELECTROCUTION:

- Do not immerse towel warmer in water or any other liquid.
- Do not place towel warmer in a location where it may fall into a tub or shower, or otherwise become immersed in water; and if the towel warmer falls into water, immediately unplug it. Do not reach into the water.

### SAFETY NOTICES

- This product is hot when in use. The Wonderbar™ is designed so that the surface temperatures are within the requirements of the UL Standard applicable for Miscellaneous Heaters.
- Particular care should be taken in confined areas where accidental or prolonged contact with the Wonderbar™ may be more likely to occur.
- If the Wonderbar™ is to be installed in a place where the public can access it, a warning notice should be placed adjacent to the Wonderbar™ advising that the surface can be hot.