

Through the Wall AC Sleeve

Model: TTW-SLG

TTW-SL

TTW-G



RECOGNIZE THIS SYMBOL AS A SAFETY PRECAUTION.

ATTENTION INSTALLING PERSONNEL

As a professional installer you have an obligation to know the product better than the customer. This includes all safety precautions and related items.

Prior to actual installation, thoroughly familiarize yourself with this Instruction Manual. Pay special attention to all safety warnings. Often during installation or repair, it is possible to place yourself in a position which is more hazardous than when the unit is in operation.

Remember, it is your responsibility to install the product safely and to know it well enough to be able to instruct a customer in its safe use.

Safety is a matter of common sense...a matter of thinking before acting. Most dealers have a list of specific good safety practices...follow them.

The precautions listed in this Installation Manual are intended as supplemental to existing practices. However, if there is a direct conflict between existing practices and the content of this manual, the precautions listed here take precedence.

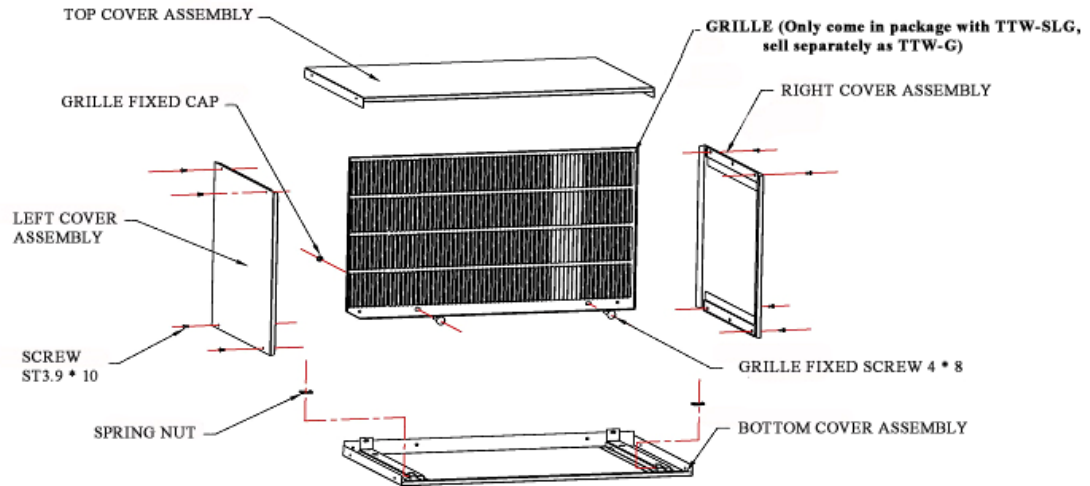
PACKING LIST

NO.:	PART NAME	QTY
1	TOP COVER ASSEMBLY	1
2	LEFT COVER ASSEMBLY	1
3	RIGHT COVER ASSEMBLY	1
4	BOTTOM COVER ASSEMBLY	1
5	GRILLE (Only in package with TTW-SLG)	1
6	ATTACHMENT BAG	1

ATTACHMENT BAG

NO.:	PART NAME	QTY
1	SCREW ST3.9 * 10	8
2	SPRING NUT	2
3	GRILLE FIXED CAP	2
4	GRILLE FIXED SCREW 4 * 8	2

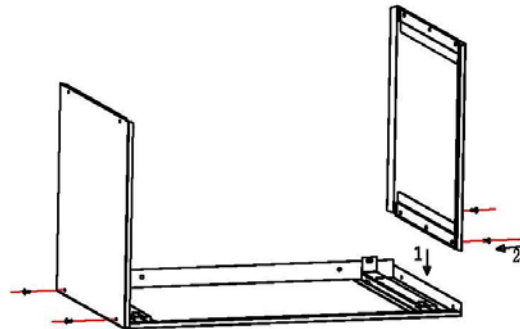
PRODUCT DIAGRAM



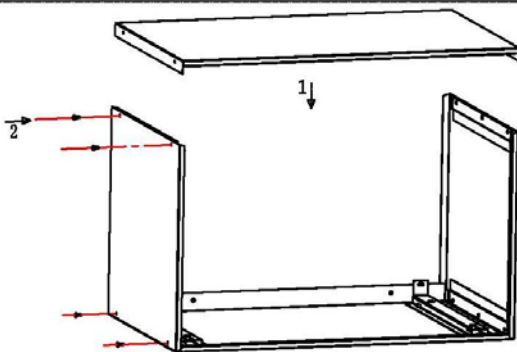
PRODUCT ASSEMBLY



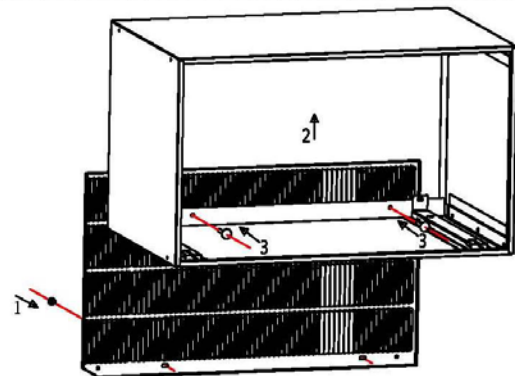
1、 As shown in the picture, lock the bottom cover assembly with spring nut.



2、 As shown in picture 1, insert the left cover assembly and right cover assembly on the bottom cover assembly, and then lock them tightly with screws as shown in picture 2.



3、 As shown in picture 1, install the top cover assembly on top of the left and right cover assembly, and then lock them tightly with screws as shown in picture 2.



4*、 As shown in picture 1, fix the grille fixed cap on the grille, insert the grille into the slot of the top cover as shown in picture 2, lock the bottom cover assembly and grille tightly with 2 pieces grille fixed screws as shown in picture 3.

Step 4*above is only applied to TTW-SLG

Warranty

One Year Limited Warranty

Soleus International Inc. warrants the accompanying Soleus Air Accessory to be free of defects in material and workmanship for the applications specified in its operation instruction for a period of ONE (1) year from the date of original retail purchase in the United States.

If the unit exhibits a defect in normal use, Soleus International Inc. will, at its option, either repair or replace it, free of charge within a reasonable time after the unit is returned during the warranty period.

As a condition to any warranty service obligation, the consumer must present this Warranty Certificate along with a copy of the original purchase invoice.

THIS WARRANTY DOES NOT COVER:

- Damage, accidental or otherwise, to the unit while in the possession of a consumer not caused by a defect in material or workmanship.
- Damage caused by consumer misuse, tampering, or failure to follow the care and special handling provisions in the instructions.
- Damage to the finish of the case, or other appearance parts caused by wear.
- Damage caused by repairs or alterations of the unit by anyone other than those authorized by Soleus International Inc.
- Freight and Insurance cost for the warranty service.

ALL WARRANTIES, INCLUDING ANY IMPLIED WARRANTY OF MERCHANT ABILITY ARE LIMITED TO ONE-YEAR DURATION OF THIS EXPRESS LIMITED WARRANTY. **SOLEUS INTERNATIONAL INC.**

DISCLAIMS ANY LIABILITY FOR CONSEQUENTIAL OR INCIDENTAL DAMAGES AND IN NO EVENT SHALL SOLEUS INTERNATIONAL INC'S LIABILITY EXCEED THE RETAIL VALUE OF THE UNIT FOR BREACH OF ANY WRITTEN OR IMPLIED WARRANTY WITH RESPECT TO THIS UNIT.

This warranty covers only new products purchased from our authorized dealers or retailers. It does not cover used, salvaged, or refurbished products.

As some states do not allow the limitation or exclusion of incidental or consequential damages, or do not allow limitation on implied warranties, the above limitations and exclusions may not apply to you. This warranty gives you specific legal rights, and you may also have other rights that vary from state to state.

For Technical Support and Warranty Service

Please Call (888) 876-5387

Or Write To:

Soleus International Inc.

20035 E. Walnut Dr. N.

City of Industry, CA 91789

www.soleusair.com