



Fantech

Custom Hood Liners

Model SGHL 30 & SGHL 36



In Stock Now!!

FEATURES

- Distinctive Design
- Stainless Steel Face
- Galvanized Steel Housing
- Easy to Install
- Fits Standard Size Wood Hoods

Distinctive Design

- Complements stainless steel appliances and custom kitchen designs
- European-style filters
- Simple elegant design

Enduring Quality and Performance

- Commercial grade (304) stainless steel construction, 22-gauge, galvanized steel housing
- Variable speed fan control
- Large filter area enhances ventilation performance
- Uses two dimmable 50-watt halogen lights (purchase separately)
- U.L. approved

Quiet Operation

- Variable speed blower control reduces sound
- Works with a variety of Fantech inline fans, roof and wall-mount fans
- Add a Fantech LD series silencer to cut the perceived sound level at the hood by 50% or more

Easy Cleaning

- Washable aluminum filters, dishwasher safe
- Clean, simple design eliminates grease traps
- No sharp edges

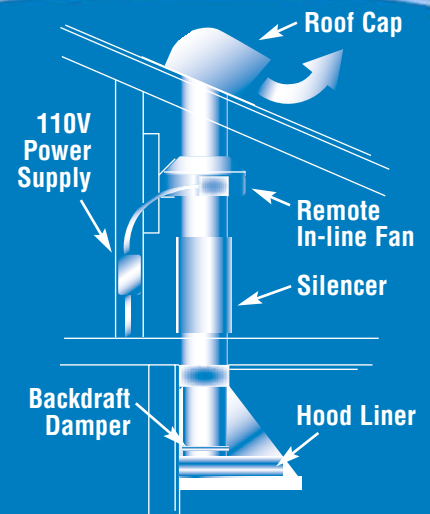
Easy Installation

- 6" duct connection

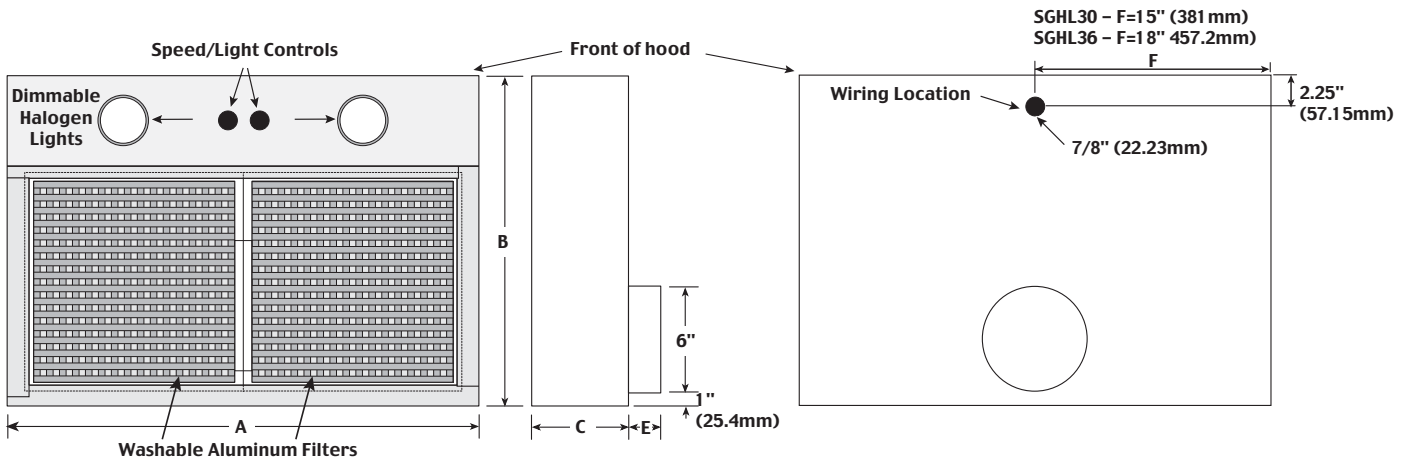


Style and function come together when you use a Fantech Kitchen Ventilation System with your custom wood, stucco or metal range hood design.

System includes Hood Liner, Silencer and Exhaust Fan. Fan mounts away from the living area to provide a quiet yet powerful system that effectively removes steam, smoke and odors.



Dimensions



Model	UPC#	A	B	C	E	F
SGHL30	47530	28 1/2	18	4	3	15
SGHL36	47536	34 1/2	18	4	3	18

Choosing the right remote mount blower

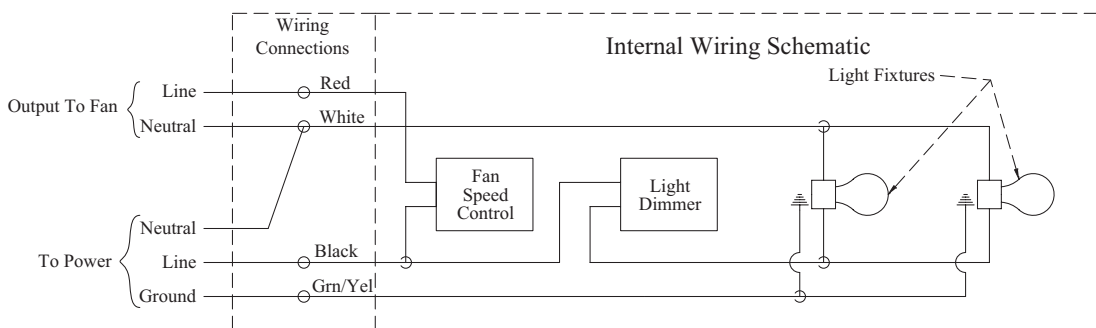
Model	Location	Mounting	Airflow at 0"	Typical Airflow†	SGHL 30	SGHL 36
FX 6*	interior	inline	257	190	✓	
FX 6XL	interior	inline	392	275	✓	✓
FX 8XL	interior	inline	521	320	✓	✓
FKD 8XL	interior	inline	836	740		✓
RE 6*	exterior	roof/wall	227	205	✓	
RE 8XL	exterior	roof/wall	409	356	✓	✓
RE 10XL	exterior	roof/wall	753	730		✓
RVF 6*	exterior	wall	242	200	✓	
RVF 6XL	exterior	wall	381	330	✓	✓
RVF 8XL	exterior	wall	435	392		✓

† Typical airflow is an estimate based on a system with 20' of duct, two 90° elbows, a backdraft damper, roof cap and filters.

* Fans will meet most local code requirements but will produce less than Fantech's recommended ventilation rate of 100 cm per foot of hood width.

** Requires larger speed control. Contact Fantech Customer Service for recommendations.

Wiring diagram



Contacts

Submitted by:	Date:
Qty:	Model #:
Comments:	
Project #:	
Location:	
Architect:	
Engineer:	
Contractor:	



Fantech

United States

1712 Northgate Blvd.,
Sarasota, FL. 34234
Phone: 800.747.1762; 941.309.6000
Fax: 800.487.9915; 941.309.6099
www.fantech.net; info@fantech.net

Canada

50 Kanalfakt Way,
Boucouché, NB E4S 3M5
Phone: 800.565.3548; 506.743.9500
Fax: 800.747.8116; 506.743.9600
www.fantech.ca; info@fantech.ca

Fantech, reserves the right to modify, at any time and without notice, any or all of its products' features, designs, components and specifications to maintain their technological leadership position.

Article #: 600708
Rev Date: 082604