



Combination Carbon Monoxide & Smoke Alarm

- 120VAC Direct Wire with Battery Backup
- Alarm/Voice message warning system
- Permanent independent carbon monoxide and smoke alarm sensors

• Part Number 900-0114 • KN-COSM-IB

Voice Warning

Warns of hazard by announcing "Fire, Fire" or "Warning, Carbon Monoxide".

Peak Level Memory

Alerts user when the unit has detected CO concentrations of 100ppm or higher.

Smart Hush™

Silences the unit during nuisance alarm situations. (Smoke must be present before hush is activated)

Two LED's

- Red – Alarm mode.
- Green – Indicates that AC power is present.

Test/Reset Button Functions

- Tests the units electronics and resets the unit during CO alarm.
- Activates Hush Feature and Peak Level Memory.

Adjustable Mounting Bracket

Allows for easy installation and alignment.

NEW FEATURE: Alerts user to replace CO alarm after 7 years of operation



NIGHTHAWK™
TECHNOLOGY
World's Most Accurate
Carbon Monoxide Alarm*

Description

The Kidde 900-0114 Combination Carbon Monoxide & Smoke Alarm provides two important safety devices in a single unit. This alarm includes a voice warning system that announces "Fire, Carbon Monoxide, Low Battery or Smart Hush™ Activation". The voice alarm eliminates any confusion and clearly warns you and your family of a smoke or carbon monoxide danger, or if your battery is in need of replacement. This technically advanced combination alarm includes 9V battery backup providing protection even during a power outage when many incidences occur. The 900-0114 is an easy to install alarm that is suitable for all living areas and has a 5 year limited warranty.

Alarm Warnings

Fire: The red LED will flash and be accompanied by three long alarm beeps followed by a verbal warning message "FIRE! FIRE!". The alarm will repeat pattern until smoke is eliminated.

Carbon Monoxide: Four short alarm beeps followed by a verbal warning "WARNING! CARBON MONOXIDE!" This continues until the unit is reset or the CO is eliminated.

Low Battery: One chirp followed by warning "LOW BATTERY". The red LED light will flash. This pattern will continue every minute for the first hour. After the first hour the red LED light will flash once every minute accompanied by the chirp sound. The "LOW BATTERY" warning will only sound once every fifteen minutes.

Voice Hush Indication: "HUSH ACTIVATED" and "HUSH CANCELLED" voice announcement

Peak Level Memory: If the alarm had detected a CO level of 100ppm or higher when the Test/Reset button is pressed, the unit will announce "CO PREVIOUSLY DETECTED" to warn of the CO incident.

*Claim approved by UL, based on manufacturer's reported testing.

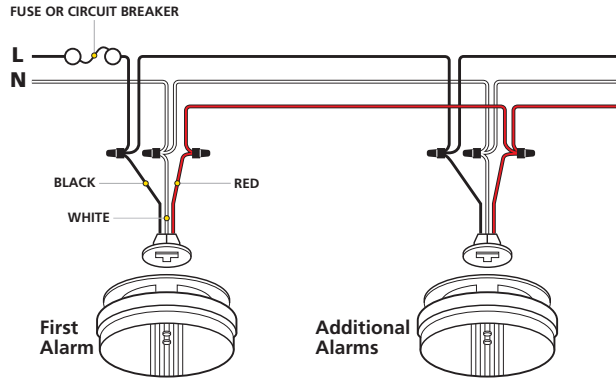
Features and Benefits

- **Smart Interconnect™** – Interconnects up to 24 Kidde devices (of which 18 can be initiating).
- **Battery Backup (9V battery included)** – Provides protection during power outages.
- **Battery Lockout System** – Minimized risk of mounting unit without installation of battery.
- **Alarm Tamper Resist** – Helps deter from tampering and theft.
- **Adjustable Mounting Bracket** – Makes installation fast and easy.
- **Peak Level Memory** – Announces "CO previously detected" if alarm had detected a CO level of 100ppm or higher since it was last reset.
- **Smart Hush™ Feature** – Silences nuisance alarms for approximately 10 minutes. (Smoke must be present before Smart Hush™ is activated)
- **Ionization Sensor Technology** – Ideal for detecting fast flaming and other types of fires.
- **Test Button Functions**
 - Tests the unit for proper operation
 - Resets the Carbon Monoxide alarm
 - Peak Level memory
- **Green LED**
Illuminates to indicate the unit is receiving AC power. Flashes every 5 seconds to indicate battery only mode. Flashes once per second (until reset) to indicate that the alarm sensed a smoke or CO hazard. Flashes every 2 seconds while the alarm is in HUSH® mode.
- **Red LED**
When a dangerous level of smoke or carbon monoxide is detected the red LED will flash. If the unit malfunctions, the red LED will flash and the unit will chirp every 30 seconds.



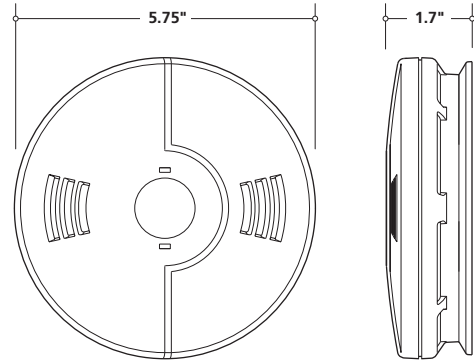
Installation of Smoke Alarm

The combination alarm should be installed to comply with all local codes having jurisdiction in your area, Article 760 of the National Electric Code, and NFPA 72. Make certain all alarms are wired to a single, continuous (non-switched) power line, which is not protected by a ground fault interrupter. A maximum of 1000 ft. of wire can be used in the interconnect system. Use standard UL listed household wire (18 gauge or larger as required by local codes).



Technical Specifications

Part Number:	900-0114
Unit Number:	KN-COSM-IB
Power Source:	120VAC, 60Hz 25mA max per alarm 9V battery backup
Smoke Sensor:	Ionization
CO Sensor:	Electrochemical
Audio Alarm:	85dB at 10ft
Temperature Range:	40°F (4.4°C) to 100°F (37.8°C)
Humidity Range:	5%-95% relative humidity
Size:	5.75" in diameter x 1.7" depth
Weight:	1lb
Wiring:	Quick connect plug with 8" pigtails
Interconnects:	Up to 24 Kidde devices (of which 18 can be initiating)
Warranty:	5 year limited



Ordering Information

UPC: 0-47871-00114-9

Part Number	I 2 of 5	Pack Quantity	Dimensions (w x d x h inches)	Weight	Case/Skid	Layers/Skid	Skid Weight
900-0114**	N/A	Individual	5.8 x 2 x 6.2	1lb	N/A	N/A	N/A
900-0114-02	200 47871 00114 3	Master Pack (6 units)	7 x 13 x 7	7.65lbs	100	5	765lbs

**Not for sale by individual unit



UNIT



MASTER PACK



1394 South Third Street, Mebane NC 27302
1-800-880-6788 • www.kiddeus.com

Distributed by: