

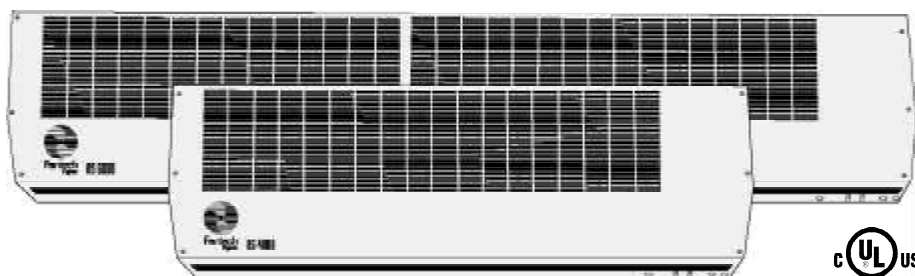


FANTECH

OPERATING INSTRUCTIONS & INSTALLATION MANUAL:
AS 4000 & AS 6000 AIR SCREEN

IMPORTANT: READ THESE INSTRUCTIONS COMPLETELY BEFORE INSTALLING FAN AND SAVE THESE INSTRUCTIONS FOR FUTURE REFERENCE.

The Air Screen is designed for horizontal, fixed installations. The low height of the appliance and front inlet also makes it possible to be mounted close to the ceiling. This saves space and enables the Air Screen to be used in places where there is not much room between the door and the ceiling. The units can be flush-mounted in the ceiling or mounted in pendulum suspension using 1/4" - 20" threaded rods or chains. As shown in the details below the Air Screens can also be installed within false ceilings for hidden installations.



Note! Air pressure imbalance between rooms separated by an air screen, crosswinds, or strong drafts may cause a considerable reduction of the efficiency of the Air Screen. The ventilation of the premises should consequently be balanced.

INSTALLATION INSTRUCTIONS

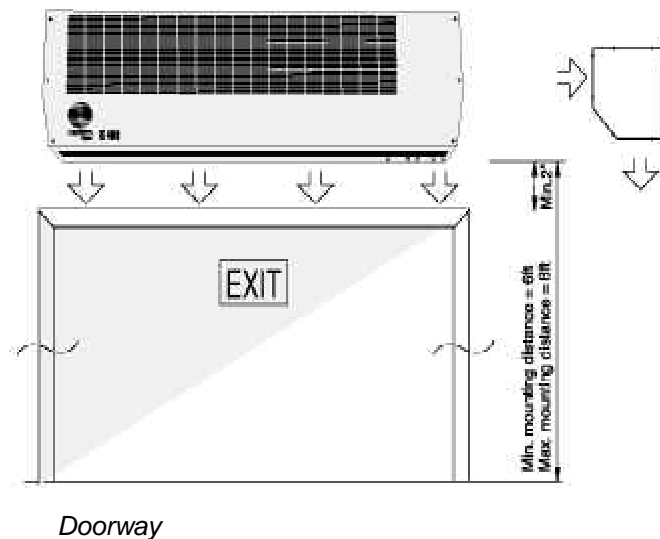
1. The Air Screen must be mounted a minimum of 6 feet from the floor and 2 inches from the edge of the opening. A mounting height in excess of 8 feet is not recommended. See Illustration 1.

2. The Unit is suspended by two keyhole cuts at the rear in conjunction with mounting brackets or by 1/4"-20" threaded rods which are to be screwed into existing threaded inserts located on top surface of unit.

Please Note: Where key hole mounting is used, the Air Screen must be secured using the two mounting brackets that are supplied. (The AS6000 series has three keyhole cutouts and thus uses three mounting brackets.)

3. Attach unit to wall or beam using 1/4" bolts.

ILLUSTRATION 1.



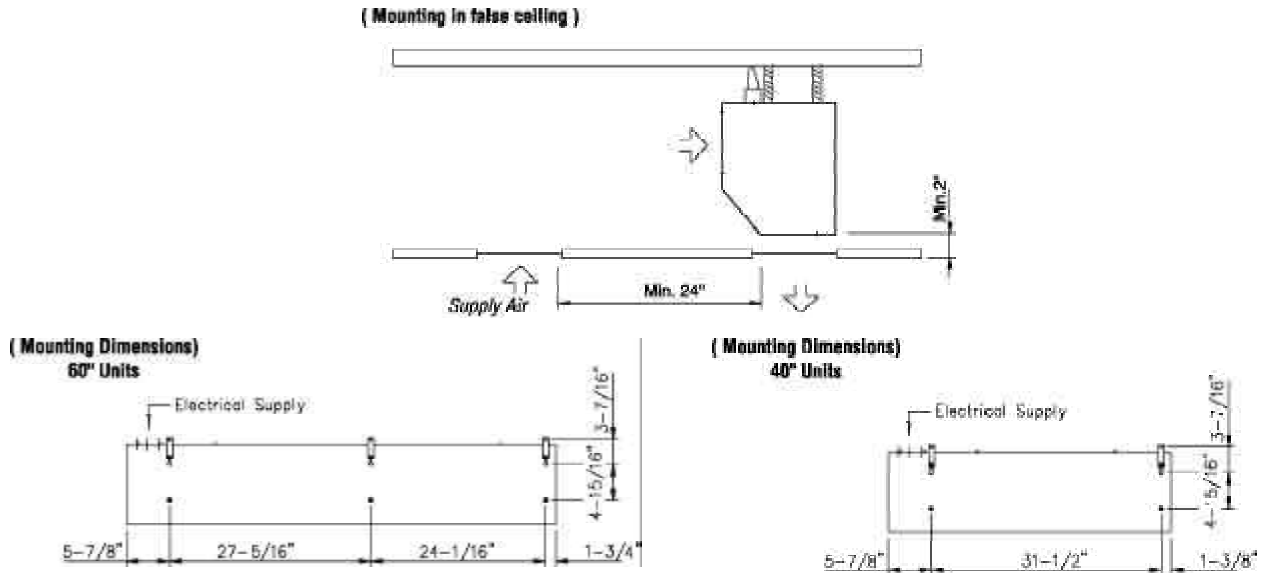
WARNING

FANTECH, INC. Products are designed and manufactured to provide reliable performance, but they are not guaranteed to be 100% free from defects. Even reliable products will experience occasional failures and this possibility should be recognized by the user. If these products are used in a life support ventilation system where failure could result in loss or injury, the user should provide adequate backup ventilation, supplementary natural ventilation, failure alarm system, or acknowledge willingness to accept the risk of such loss or injury.

MOUNTING METHODS



MOUNTING DIAGRAMS



OPERATING THE SYSTEM

The "Control Panel" is mounted inside the unit for manual operation. The toggle switches have a neutral position in the middle and are used to control the heat and air flow. As an alternative the switches can be removed from the unit and mounted inside a wall control for remote access.

Please note: Box not provided, switches will fit in standard electrical box.

Please note: When removing switches from unit for wall mounting use replacement cover provided with unit to enclose the opening left in unit. It is not recommended to operate or install the unit with this cover removed. In some instances the "switch operating decals" are not mounted directly on panel during assembly and thus you must use extra decal provided in packaging when installing remote switch.

The AS4000 and AS6000 series Air Screens can be mounted next to each other or in a series located as desired and then controlled by one set of control switches. We refer to this form of installation as a "Master with Slave units" installation. The units can then be wired in series and controlled by one set of toggle switches either from the master unit or from a remote wall control panel. Refer to wiring diagram for proper instructions on wiring "Master with Slave units".

Please note: When performing a master with slaves installation the number of units must not exceed (4) including master unit. On slave units, all switches shall be removed from control panels. Consult authorized electrician for wiring and installation regulations.

The Air Screens are provided with temperature limit switches both on the unit located near the heating elements and also internally within fan motor. Refer to Overheating directions under the warning section below for directions on resetting unit.

WARNING

Overheating: The air screen is provided with a temperature limiter. If overheating triggers the limiter, it can be reset as follows.

1. Switch off the power with the all-pole switch.
2. Determine the cause and correct the fault.
3. Reset the temperature limiter by pressing the red button located behind front panel.
4. The motor also has a built-in thermal switch to protect it from overheating. This switch resets itself when the motor has cooled.

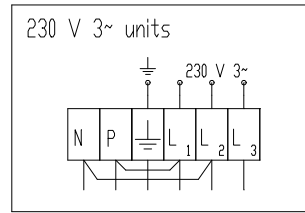
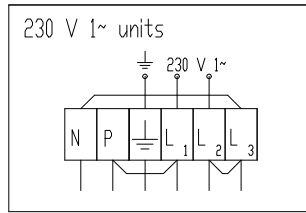
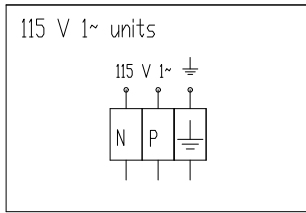
MAINTENANCE

To prevent electrical shock, check that the unit's power is shut off before doing any repairs or maintenance. The intake grill and heating elements should be cleaned regularly. Wipe the grill with a damp cloth. Remove the grill to clean or vacuum the heating elements.

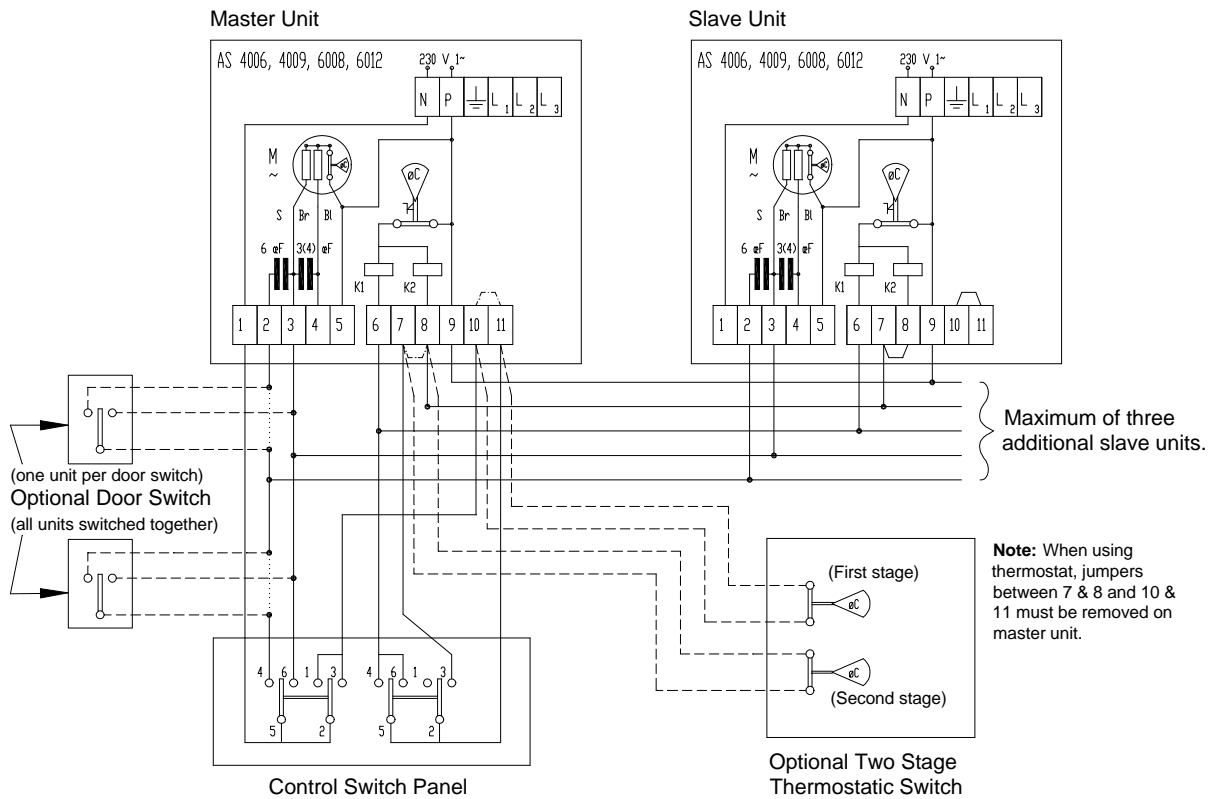
WIRING DIAGRAMS

Refer to wiring diagrams below for wiring instructions. Installation must be carried out by an authorized electrician. On the back of the Air Screen there are (6) 7/8" dia. knockouts for supply and control cables. The input terminal is intended for max 8 AWG cable and the control terminal for max 10 AWG.

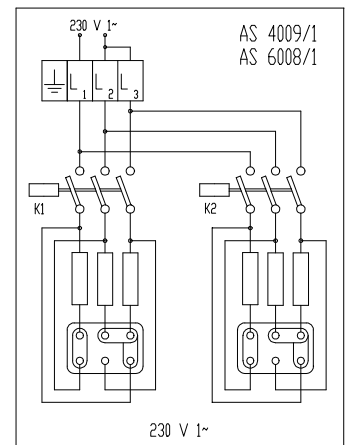
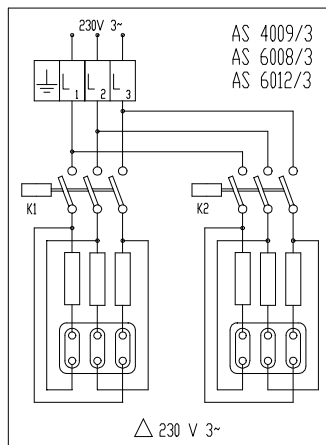
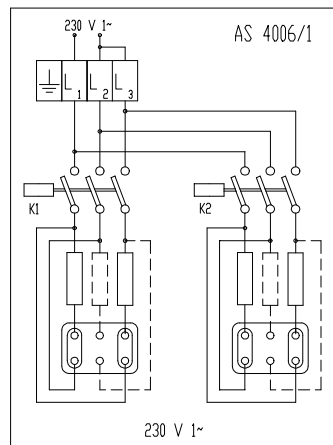
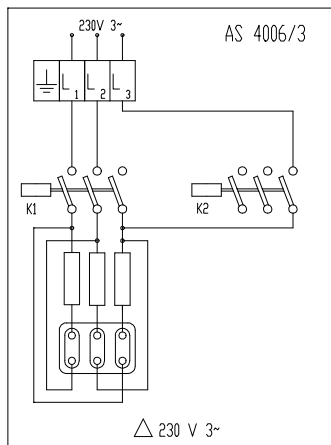
INPUT DIAGRAMS



CONTROL DIAGRAMS



OUTPUT DIAGRAMS



THREE (3) YEAR WARRANTY

THIS WARRANTY SUPERSEDES ALL PRIOR WARRANTIES

FANTECH, INC. will repair or replace any part of your product that has a factory defect in workmanship or material. Product must be returned to point of purchase, with Bill of Sale, within three (3) Years of purchase. If factory return is required, as determined by rep/distributor, the warrantee assumes all cost to and from the factory.

THE FOLLOWING WARRANTIES DO NOT APPLY:

- a) To damages from shipping, either concealed or visible;
- b) To damages resulting from improper wiring or installation;
- c) To damages or failure caused by Acts of God, or resulting from improper consumer procedures such as:
 - 1) improper maintenance,
 - 2) misuse, abuse, abnormal use, or accident and
 - 3) incorrect electrical voltage or current;
- d) To removal of or any alteration to the Fantech label, control number or date of manufacture;
- e) To any other warranty, expressed, implied or written, and to any consequential or incidental damages, loss of property, revenues, or profit or costs of removal, or reinstallation, for any breach of warranty period.

WARRANTY VALIDATION

The end user must keep a copy of the Bill of Sale to verify purchase date. Valid proof of the date of installation may also serve as a verification of commencement of warranty period.

FANTECH RETURN POLICY

Claims for damages or shortages must be reported within ten (10) days of receipt of product(s).

For any product(s) received damaged by the forwarding agent, THE FOLLOWING INSTRUCTIONS MUST BE FOLLOWED:

- 1) For product delivered by UPS:
 - a) Concealed Damages: Keep all cartons. Call UPS for an inspection and notify Fantech immediately.
 - b) Visible Damages: Save all cartons and file complaint directly with UPS.
- 2) For product delivered via a common carrier: File damaged goods claim directly with the freight company.
- 3) Shortages: Sign only for the total number of pieces received and call Fantech immediately.

FOR FACTORY RETURN

PRODUCT(S) RETURNED WITHOUT AUTHORIZATION WILL NOT BE ACCEPTED. FANTECH WILL NOT ACCEPT THE RETURN OF ANY SPECIAL, NON-STOCK, OBSOLETE OR UNSALABLE PRODUCT(S). FANTECH MAY, AT ITS OPTION, ACCEPT RETURN OF SALEABLE PRODUCT(S) SUBJECT TO A 25% RESTOCKING CHARGE.

- 1) No product(s) will be accepted without a Return Materials Authorization (RMA) number. This number can be obtained by calling Fantech, Inc. at 800-747-1762. Please have Bill of Sale or proof of date of installation available.
- 2) RMA must be clearly marked on outside of carton or delivery will be refused. All product(s) must be returned freight prepaid.
- 3) Product(s) will be repaired/replaced and shipped back to buyer, no credit will be issued.
- 4) Any out of warranty product will be evaluated and buyer will be notified of cost; repair cost will be charged to customer; buyer will be responsible for return freight or product may be returned with out action, to the buyer, freight collect. No credit will be issued.

LIMITATION OF WARRANTY AND LIABILITY

This warranty does not apply to any FANTECH product or part which has failed as a result of faulty installation or abuse, incorrect electrical connections or alterations made by others, or use under abnormal operating conditions or misapplication of the product or parts. We will not approve for payment any repair not made by us or our authorized agent without prior written consent. The foregoing shall constitute our sole and exclusive warranty and our sole exclusive liability, and is in lieu of any other warranties, whether written, oral implied or statutory. There are no warranties which extend beyond the description on the page hereof. In no event, whether as a result of breach of contract, or warranty or alleged negligence, defect incorrect advice or other causes, shall FANTECH be liable for special or consequential damages, including, but not limited to, loss of profits or revenue, loss of use of equipment or any other associated equipment, cost of capital, cost of substitute equipment, facilities or services, downtime costs, or claims of customers of purchase for such damages. FANTECH neither assumes or authorizes any person to assume for it any other liability in connection with the sale of product(s) or part(s). Some jurisdictions do not allow the exclusion or limitation of incidental or consequential damages so the above limitations and exclusions may not apply to you.

IMPORTANT INSTRUCTIONS

When using electrical appliances, basic precautions should always be followed to reduce the risk of fire, electric shock, and injury to persons, including the following:

1. This heater is hot when in use. To avoid burns, do not let bare skin touch hot surfaces. Keep combustible material, such as furniture, pillows, bedding, papers, clothes, and curtains at least 3 feet (0.9 m) from the front of the heater.
2. Do not operate any heater after the heater malfunctions, has been dropped or damaged in any manner. Return heater to authorized service facility for examination, electrical or mechanical adjustment or repair.
3. Do not use outdoors.
4. Never locate heater where it may fall into a bathtub or any other water container.
5. Do not insert or allow foreign objects to enter any ventilation or exhaust opening as this may cause electric shock or fire, or damage the heater.
6. To prevent a possible fire, do not block air intakes or exhaust in any manner.
7. A heater has hot and arcing or sparking parts inside. Do not use it in areas where gasoline, paint, or flammable liquids are used or stored.
8. Use this heater only as described in this manual. Any other use not recommended by the manufacturer may cause fire, electric shock, or injury to persons.

United States

1712 Northgate Blvd. Sarasota, FL 34234
Phone: (800) 747-1762 Fax: (800) 487-9915
Phone: (941) 351-2947 Fax: (941) 359-3828
WebSite: www.fantech-us.com
E-Mail: info@fantech-us.com

Canada

P.O. Box 41590 Brampton, Ontario L6Z 4R1
Phone: (800) 407-6195 Fax: (800) 407-8965

Represented Locally By:

