

Airpura

AIR PURIFIERS

H600

Allergies & Asthma

Trap particles that can trigger asthma and allergies with true Hepa filtration

The Airpura H600

Specially designed for powerful particle filtration, the Airpura H600 offers a large true HEPA filter together with a HI-C carbon weave filter to add basic odor and chemical filtration. A pre-filter traps larger particles.

An excellent choice for asthma and allergies
Helps remove the airborne particles that trigger attacks.

A germicidal UV lamp available as an option

Sterilizes antigens and pathogens.

Situated in the filter chamber for maximum efficiency.

Removes:

Pet dander, dust mites, pollen, mold spores, asbestos fibers, droplets.

Effective for up to 2000 square feet

Cleans the air approximately every 30 minutes.



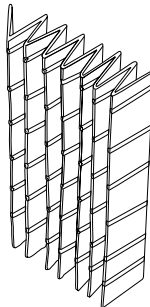
The Airpura H600

Available in
White / Black / Cream

The Airpura Limited Warranty
5 years parts 10 years labor

High Quality HEPA Filter

- 80 square feet of filtration surface with 3" deep folds.
- The Hepa is warm rolled to avoid cracking at the folds and avoid leakage.
- Spacers keep the folds open and make sure that all the surface area is filtering.



Long Lasting Filters

Hepa filters typically last 5 years in regular use.
Pre-filters can be vacuumed from the exterior of the unit and should be changed every 12 months depending on use
HI-C carbon weaves should be changed every 4-6 months depending on use

Protect yourself from the harmful effects of airborne particles

Airpura

AIR PURIFIERS

H600

Allergies & Asthma

Technical Specifications

Particle removal
40 sq ft true HEPA
(Measured 1 side only)
10 pleats per inch
Pleats warm rolled
with separators

Odor and chemical Suppression
306 sq" HI-C carbon weave

Air Flow 560 cfm
More cfm than any
other home unit available

Pre-filter
570 sq in x 1in

Housing
Powder coat steel

Size
23" x 15"

Weight
35lbs total

Voltage Options
115 or 220 volts

Watts
120 on high 40 on low

Sound Level
28.1 db on low (at 6 feet)
62.3 db on high (560 cfm)
(Room level 25.1)

ETL Certified
Conforms to
CSA C22.2 no 113
ANSI / UL 507

Your Airpura Dealer

Unique Features

- **True HEPA filter.** Traps 99.97% of particles as small as 0.3 microns. That's as small as some bacteria.
- **Hi-C Carbon Weave filter** for basic airborne chemical, gas and odor filtration
- **Cleanable pre-filter.** Simply vacuum through the mesh or change as necessary
- **Pressure seal** on the filter chamber ensures all the impurities pass through the filters and deliver a real 99.97% filtration.
- **Felt gaskets** seal the filter chamber. Maximize filtration with no rubber off-gassing found with other makes
- **All metal housing** ensures no plastic vapors are emitted
- **Variable speed motor** lets you choose your ideal level of filtration
- **Motor out of the air flow.** Most air purifiers blow the clean air over the motor and pick up impurities

Filtration System

True HEPA filter

Traps 99.97% of particles as small as 0.3 microns

Cleanable pre-filter

Vacuum through grill and change every 12 months

Hi-C Carbon weave

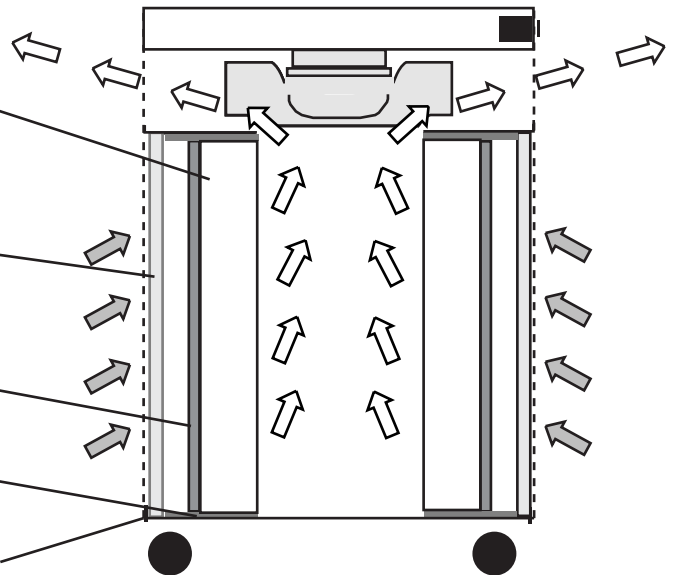
Absorbs airborne chemicals, noxious gases and odors

Felt gaskets

no rubber off gassing

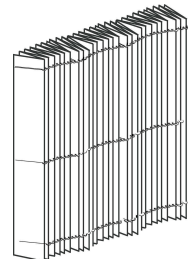
Unique Pressure seals

ensure integrity of filter chamber



True HEPA filter for maximum particle filtration

- 40 square feet of filtration surface with 1" deep folds
- The Hepa is warm rolled to avoid cracking at the folds and avoid leakage
- Spacers keep the folds open and make sure that all the surface area is filtering



True HEPA filtration protects you against harmful airborne particles