

ILLUMINATOR INSTALLATION INSTRUCTIONS

www.ourcornermarket.com | info@addressnumbers.com

1. Mark location for the mounting holes on the wall surface for the installation of the illuminator frame. Drill and install screw anchors (supplied).
2. Figure No. 1 below: Drill 1/4" diameter wire clearance hole through the wall surface as shown in Figure No. 1.
3. The illuminator is furnished with four 14 volt lamps (NO. 1815) and requires 10 volt-amperes at 14 volts from a bell type transformer. If the illuminator is to be operated from the same transformer as a bell or chime installation, a transformer rating of 30 VA is recommended.
4. Figure No. 2 below: Run two (2) separate, NO. 18, or larger, bell wires into the 1/4" diameter clearance hole through the wall surface, connecting the far ends to the secondary terminals of the bell transformer as shown in Figure No. 2.

ALTERNATIVE POWER SUPPLY

Use a 10VA (Class II) 14 Volt transformer. (Can be ordered with the product from www.ourcornermarket.com.)

Remove approximately 1/4" of insulation from the exposed end of each wire. Insert each wire end into the barrel end of a lug terminal (supplied) and crimp securely with pliers.

5. Connect one (1) wire to each terminal with machine screws (supplied).
6. Assemble Ceramic numbers in proper order in the number holder insert (supplied).
7. Place insert into the "ILLUMINATOR FRAME".
8. Secure illuminator frame to mounting surface with the two (2) mounting screws (supplied).

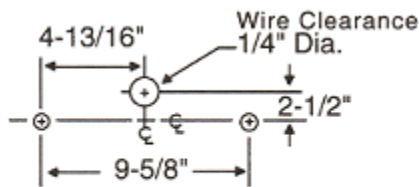


Figure No. 1

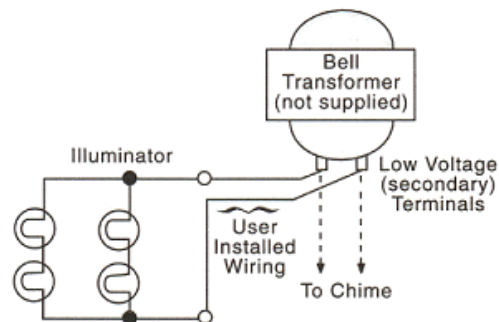


Figure No. 2