

# SCOUT LIGHT WEAPONLIGHT



Model M600A



The Scout Light is compact and lightweight, leaving more space for other rail-mounted accessories.

The two-battery Scout Light attaches to a Picatinny rail via an included thumbscrew clamp. An extremely rugged and powerful LED module produces 100 lumens of electronically-regulated light with a total runtime of nearly three hours. Switching is accomplished with a momentary-on remote tape switch that can be unplugged from the light if repairs or adjustments are required.

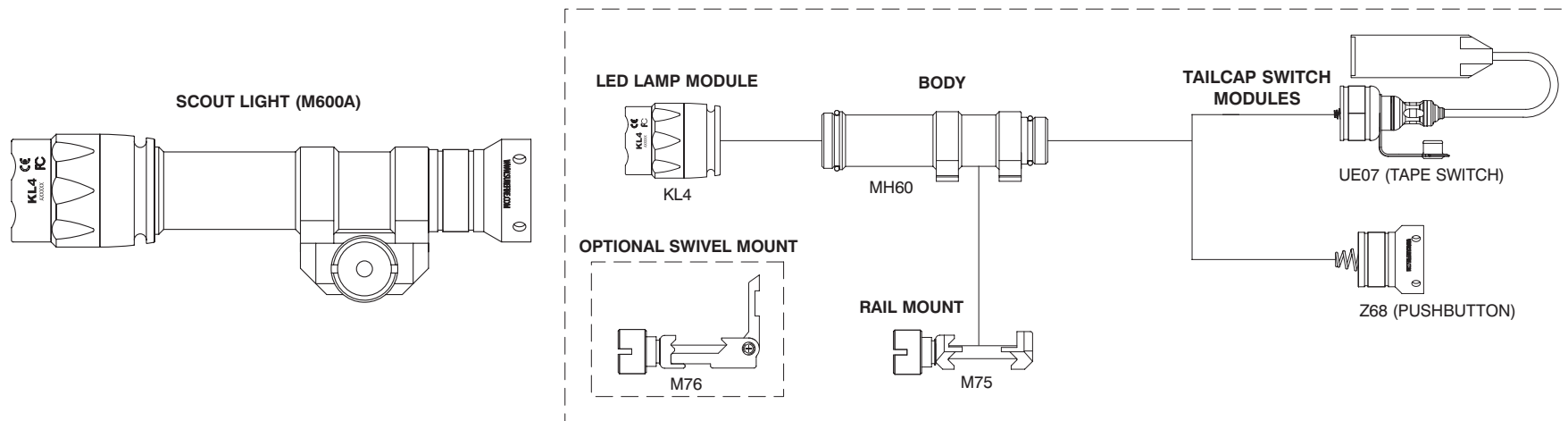
Compact size, reduced weight, and a wider beam (compared to incandescent WeaponLights with larger reflectors) make the Scout Light perfect for CQB operations, urban operations, and extended missions where every ounce counts.

Users who need infrared capability from their Scout Light can replace the LED module with the LU60A incandescent module plus an FM63 IR filter. This is necessary because white light LEDs produce an insignificant amount of infrared radiation. Available Scout Light accessories also include an M76 swivel mount that allows the light to be extended away from the forend in a range of positions.

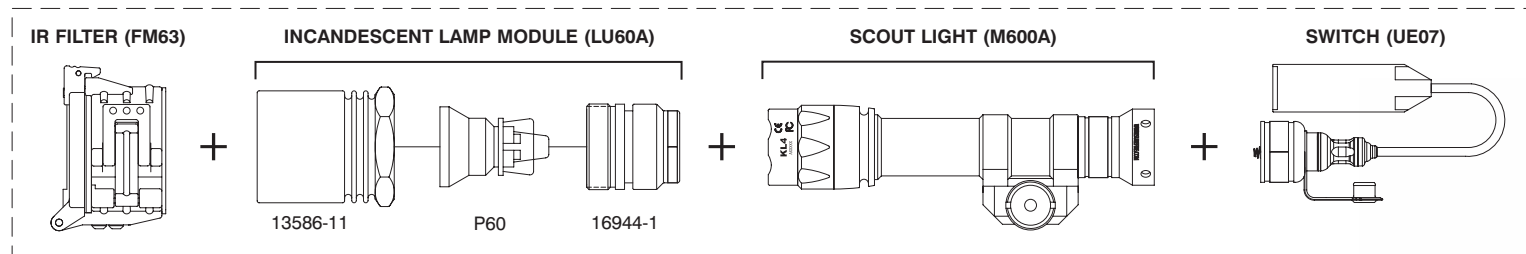
A Scout Light paired with the SureFire M1 Infrared Illuminator on the new SureFire M63 Picatinny rail gives the operator dual capabilities.



# SCOUT LIGHT WEAPONLIGHT: COMPACT, LIGHTWEIGHT, RUGGED

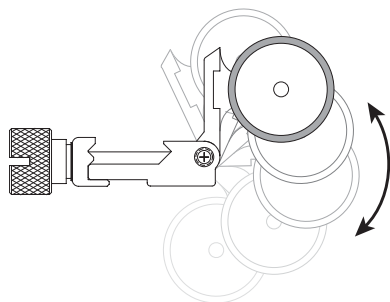


The Scout Light is also available in a preconfigured kit (M600-KT01) that includes the standard Scout Light with LED module, as well as an incandescent lamp module and an infrared filter.



## M76 SWIVEL MOUNT

The optional M76 swivel arm mount gives the operator a greater range of setup options by allowing the Scout Light to be fixed in multiple positions parallel to the rail.



For instant white light or infrared on demand, mount the Scout Light with the M1 Infrared Illuminator (far right) shown here with an M31 mount and UM07 remote tape switch.

