

VERTICAL FOREGRIP WEAPONLIGHTS



Model M910A



A Vertical Foregrip WeaponLight provides the operator with an ergonomic advantage and increased control during sustained firing.



Two low-output LEDs provide enough light for stealth navigation. Available in red, white, blue and infrared.

Three-battery Vertical Foregrip WeaponLights attach to a Picatinny rail via integral throw-lever or thumbscrew clamps. Four types of switches are integrated into each unit: (1) ambidextrous momentary activation pads to control the main battle light (2) a constant-on switch (3) a system disable switch, and (4) a momentary switch to control two low-output LEDs useful for stealth navigation.

The Vertical Foregrip bezel and lamp are identical to those used in selected SureFire Special Operations Series flashlights, giving the operator interchangeable parts for field-expedient repairs. Available accessories include infrared filters and ultra high-output replacement lamps. For long-range use, models featuring a larger Turbohead reflector are available.

Like all SureFire WeaponLights, these models feature the highest degree of shock-isolation for maximum reliability in combat situations.



Model M910A



VERTICAL FOREGRIP WEAPONLIGHTS

SWITCHING

1. CONSTANT-ON SWITCH

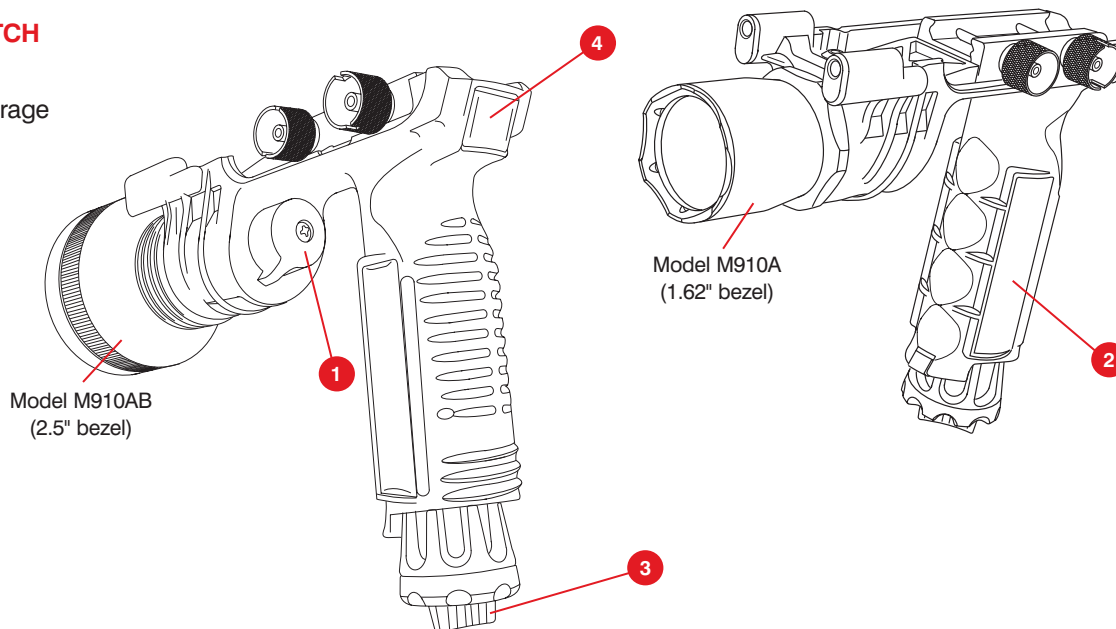
2. MOMENTARY-ON PRESSURE PAD SWITCH

3. SYSTEM DISABLE SWITCH

To prevent accidental activation during storage or covert operations.

4. MOMENTARY-ON SWITCH FOR LEDS

Useful for stealth navigation.



MODEL	M900		M910	
	A.R.M.S. THROW-LEVER MOUNT		THUMBSCREW MOUNT	
	A	AB	A	AB
BEZEL SIZE	1.62 inches	2.5 inches	1.62 inches	2.5 inches
LAMP ASSEMBLY	MN10 (125 lumens) MN11 (225 lumens)	MN15 (125 lumens) MN16 (225 lumens)	MN10 (125 lumens) MN11 (225 lumens)	MN15 (125 lumens) MN16 (225 lumens)
FILTERS	FM15 Red FM16 Blue FM13 IR FM14 Diffusion FM17 Cover	FM25 Red FM26 Blue FM23 IR FM24 Diffusion FM27 Cover	FM15 Red FM16 Blue FM13 IR FM14 Diffusion FM17 Cover	FM25 Red FM26 Blue FM23 IR FM24 Diffusion FM27 Cover