

M4 Tactical Illuminator

Operator's

Manual



INSIGHT
TECHNOLOGY
INCORPORATED



TM
OPTICS
PLANET INC

MADE IN THE USA

WARNINGS

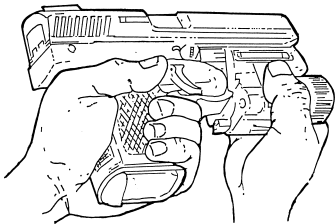
1. Before handling any firearm with the M4 Tactical Illuminator (M4 TI) **read and understand** the entire contents of your firearm manual provided and the M4 Tactical Illuminator manual, especially the safety precautions and procedures for safe firearms handling.
2. **Failure** to follow the correct safety precautions and safe firearms handling techniques outlined in your firearm and M4 TI Operator's manual when handling a firearm with the M4 TI can result in serious injury, damage to property or **death**.
3. **Always** practice safe firearms handling techniques when handling a firearm with or without the M4 TI.
4. **Never** point a firearm with or without the M4 TI attached, at anything or anyone that you do not intend to shoot.
5. Once the M4 TI is attached to a firearm, the firearm will be pointed at anything that the M4 TI is directed at. **Do not** point the M4 TI at anything or anyone that you do not intend to shoot. The M4 TI is designed to produce a sufficient amount of light to allow someone in a low light environment

to be safely illuminated and identified without the need to point the M4 TI light and the attached firearm, directly at that individual. The light from the M4 TI can be pointed in a safe direction at a wall, floor or ceiling and “bounced” onto the darkened silhouette for identification purposes, thus avoiding the need to point the firearm directly at an individual. The M4 TI can be de-focused for wide-angle illumination.

6. The ON/OFF switch on the M4 TI allows you to operate the switch **without** placing your finger inside the trigger guard. **Always** keep your fingers **off** the trigger and **outside** the trigger guard until you are ready to fire the weapon.
7. **Always** check to see the chamber of the weapon is empty or “clear” before attempting to mount or dismount the M4 TI. Follow the “clearing” procedures as set forth in the manual for your firearm.
8. **Always** remove the M4 Tactical Illuminator from the firearm when performing maintenance or cleaning on the M4 TI or when replacing bulbs or batteries.
9. **Failure** to follow any of the safety warnings listed above when handling a firearm and or the M4 Tactical Illuminator can be dangerous and can result in serious injury, damage to property or **death**.

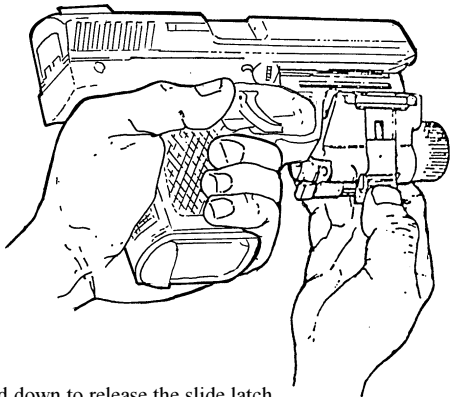
10. **Do Not** operate the M4 TI around cleaning solvents or flammable/combustible materials. Avoid use of the M4 TI in environments involving a flammable atmosphere or gasses, such as evaporated gasoline. **Do Not** use the M4 TI in areas where gasoline, paints and solvents or other flammable liquids are stored.
11. The M4 TI should be tested periodically during periods of non-usage to ensure its proper functioning. When anticipating usage of and reliance upon the M4 TI, check the M4 TI beforehand to ensure proper working order.
12. Proper functioning of the M4 TI is dependent upon fully-charged batteries. Use care when handling batteries. Any battery may leak harmful chemicals which may damage skin, clothing or the inside of the M4 TI. To avoid risk of injury, do not let any material leaked from a battery come in contact with eyes or skin. Do not expose batteries to excessive heat. Follow battery manufacturers' instructions as to proper handling, storage and disposal of batteries.
13. **CAUTION: Never** place the light on its face (bulb down) while on. The bulb generates intense heat and could cause damage to the M4 TI or the surface it is on.

MOUNTING



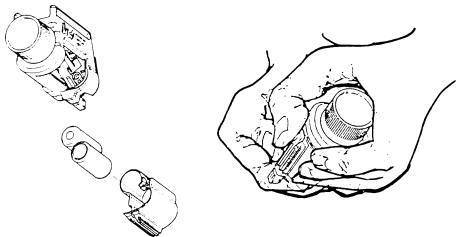
1. Press in and down to slide latch on the side of the M4 TI.
2. Push the M4 TI up against the bottom of frame and back against the front of trigger guard. A slight rolling action in which the stationary jaw is positioned followed by the moveable jaw is helpful.
3. Make sure the M4 TI is back against the front of the trigger guard.
4. Slide the latch up to lock the M4 TI in place. If latch does not lock, check alignment with grooves on pistol and repeat procedure.
DO NOT USE EXCESSIVE FORCE.

DISMOUNTING



1. Press in and down to release the slide latch.
2. Rotate the M4 TI as shown to remove it from the gun.

BATTERY INSTALLATION



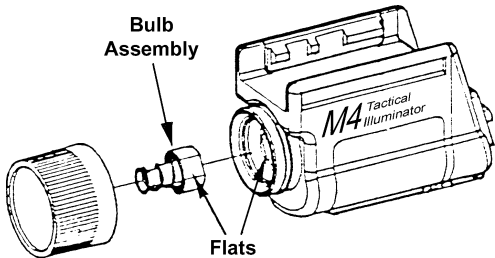
Removing and Replacing Batteries

The M4 TI operates on two 3 volt L123A lithium batteries. For best performance use Duracell DL 123A batteries.

1. While holding the M4 TI, press down and out on rib and remove battery compartment.
2. Note positive polarity (+) markings on the battery compartment and install batteries in the direction shown.
3. Install battery compartment (with batteries) into the M4 TI body and snap closed.

Insight Technology recommends that when not in use, the M4 TI is stored without batteries in the unit.

BULB REPLACEMENT



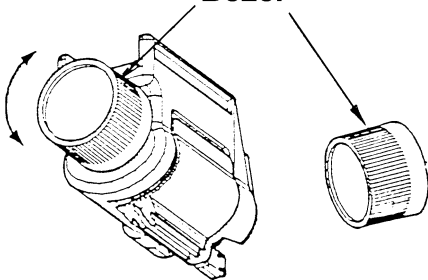
Bulb Replacement

1. Rotate bezel counter clockwise to remove.
2. Pull out bulb assembly and replace with new bulb assembly.
3. Install new bulb assembly taking care to align flats on the bulb holder with flats in M4 TI main body.

CAUTION: Only replace the bulb when the M4 Tactical Illuminator is detached from the firearm.

FOCUSING

Bezel

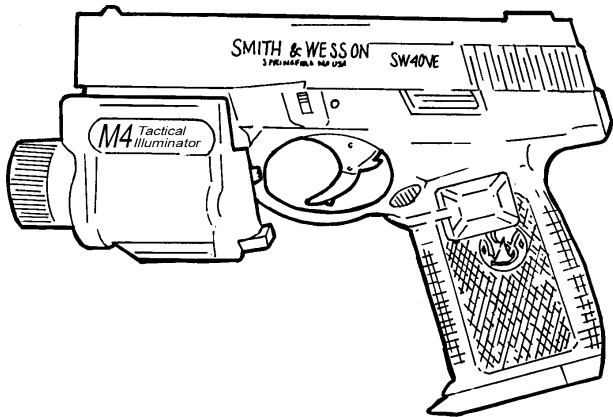


Focusable Beam

To focus the beam of the M4 TI, simply turn the bezel until the desired focus is reached, be careful not to unscrew the bezel from the body.

CAUTION: DO NOT place your hand in front of the muzzle of the firearm when turning the bezel.

SWITCH OPERATION



Safety Slide Switch

OFF position, deactivates other switches to preclude inadvertent operation.
ON position, light is ready for activation by the toggle switch or remote switch.

Toggle Switch

Momentary Operation, move switch slightly to the right side. Light turns off when finger pressure is released.

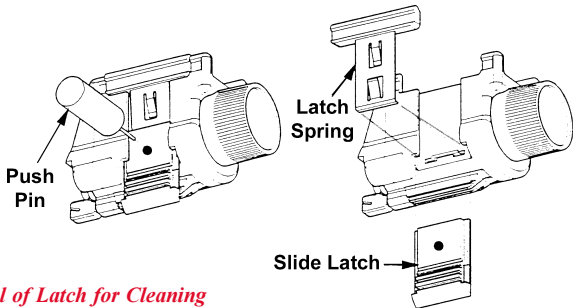
Steady ON Operation, move switch fully to the left side. Light stays on when finger pressure is released. Move switch back to center position to turn OFF.

Remote Switch

Turns on illumination when button is depressed. Light turns off when pressure is released. The M4 TI is shipped with a rubber cap plug installed in the remote switch jack. To install the remote, decide on the most convenient location for the switch on the gun frame and use a solvent (alcohol) to clean the gun frame. Remove the adhesive backing of the Velcro and firmly press the Velcro backing onto the frame. Remove the rubber plug with fingers and insert the remote switch plug. Attach the Velcro on the gun frame.

CAUTION: Never place the light on its face (bulb down) while ON. The bulb generates intense heat and could cause damage to the M4 TI or the surface it is on.

LATCH CLEANING

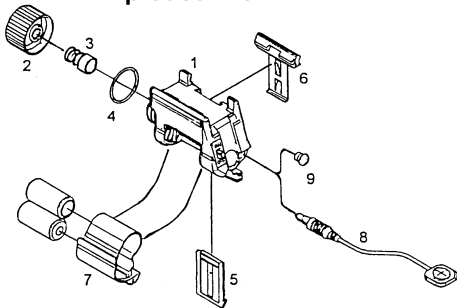


Removal of Latch for Cleaning

1. Press in and down to lower the slide latch
2. Insert a push pin or small nail through the hole in the latch to depress the retaining spring.
3. Slide the slide latch down and remove, then remove the latch spring.
4. Clean parts by flushing with water, dry thoroughly.
5. Slide the slide latch into position in the body.

M4 TI PARTS LIST

Exploded View



Parts List

Item	Description
1	M4 Main Body
2	Bezel
3	Bulb
4	O-ring
5	Slide Latch
6	Spring, Latch
7	Battery
8	Compartment Remote Switch (optional)
9	Remote Switch Plug
10	Case (not shown)
11	Manual (not shown)

LIMITED WARRANTY
INSIGHT TECHNOLOGY INCORPORATED
12 MONTH LIMITED WARRANTY

Insight Technology Incorporated warrants for 12 months after purchase that its products will be free from defects in material and workmanship. Insight Technology Incorporated will repair or replace, at its option, any product or part (with the exception of the lamp and battery) which is found to be defective under normal use and service, without charge. Insight Technology Incorporated's obligation to repair or replace, at Insight's option, shall be the purchaser's sole and exclusive remedy under this warranty. Warranty does not cover battery leakage. Contact battery manufacturer in this event.

This warranty extends only to the original owner. There are no warranties, express or implied, other than as set forth on this page, and Insight Technology Incorporated disclaims any warranties of merchantability or fitness for a particular purpose. Insight Technology Incorporated shall not be liable for incidental, consequential or special damages arising out of or in connection with product use or performance. For service or repair, return unit UPS prepaid with a copy of the sales receipt to Insight Technology Incorporated.

PRODUCT REGISTRATION OF THE M4 TACTICAL ILLUMINATOR

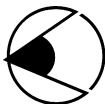
MAIL IN A POST CARD WITH YOUR NAME, ADDRESS, TELEPHONE NUMBER, and DATE OF PURCHASE ALONG WITH YOUR GUN MODEL AND CALIBER TO INSIGHT TECHNOLOGY, INC.

For service or repair, return unit UPS prepaid
with a copy of the sales receipt to:

Insight Technology, Inc.
3 Technology Drive
Londonderry, NH 03053

ATTN: COMMERCIAL SALES

Phone: 603-626-4800 / Fax: 603-647-7234



**INSIGHT
TECHNOLOGY
INCORPORATED**

3 Technology Drive, Londonderry, NH 03053
Phone 603-626-4800 Fax 603-647-7234