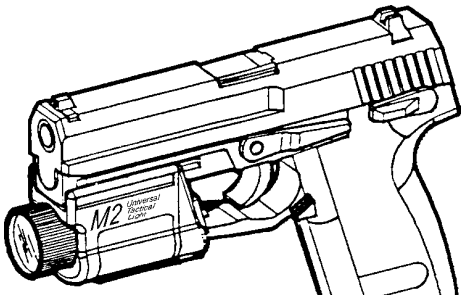


M2

Universal Tactical Light

Operator's Manual



MADE IN THE USA



WARNINGS

1. Before handling the firearm or the M2 UTL, **read and understand** the entire contents of the firearm and M2 UTL Operator's Manuals, especially the safety precautions and procedures for safe firearm handling.
2. **Failure** to follow the correct safety precautions and safe firearm handling techniques outlined in the firearm and M2 UTL Operator's Manuals when handling the firearm and/or the M2 UTL can result in serious injury, damage to property, or **death**.
3. **Always** practice safe firearm handling techniques when handling a firearm with or without the M2 UTL.
4. **Never** point the firearm with or without the M2 UTL attached, at anything or anyone that you do not intend to shoot.
5. Once the M2 UTL is attached to the firearm, the pistol will be pointed at anything that the M2 UTL is directed at. **Do not** point the M2 UTL at anything or anyone that you do not intend to shoot. The M2 UTL is designed to produce a sufficient amount of light to allow someone in a low light environment to be safely illuminated and identified without the need to point the M2 UTL - and the attached firearm - directly at an individual. The light from the M2 UTL can be pointed in a safe direction at a wall, floor or ceiling and "bounced" onto the

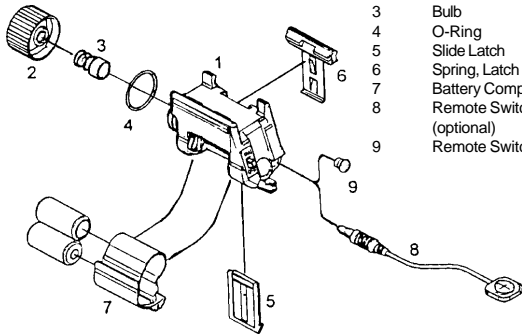
darkened silhouette for identification purposes, avoiding the need to point the pistol directly at an individual. The M2 UTL can be de-focused for wide-angle illumination.

6. Always keep the control lever of your firearm set on “safe” (if applicable) and your fingers off of the trigger and outside of the trigger guard of the firearm at all times unless you intend to actually fire the pistol.
7. **Always** remove the M2 UTL from the firearm when performing maintenance or cleaning the M2 UTL, or when replacing the bulb or batteries.
8. **Always** “clear” the firearm before attempting to mount or dismount the M2 UTL. Follow the clearing procedures in the firearm operator’s manual to properly “clear” the firearm.
9. **Failure** to follow any of the safety warnings listed above when handling the firearm and/or the M2 UTL can be dangerous, and can result in serious injury, damage to property, or **death**.

10. **Do Not** operate the M2 UTL around cleaning solvents or flammable/combustible materials. Avoid use of the M2 UTL in environments involving gasses or a flammable atmosphere, such as evaporated gasoline. **Do Not** use the M2 UTL in areas where gasoline, paints, solvents or other flammable liquids are stored.
11. The M2 UTL should be tested periodically during periods of non-use to ensure that it is functioning properly. When anticipating use of and reliance upon the M2 UTL, check the M2 UTL beforehand to ensure that it is in proper working order.
12. Proper functioning of the M2 UTL is dependent upon fully-charged batteries. Use care when handling batteries. Any battery has the potential to leak harmful chemicals which can damage skin, clothing or the inside of the M2 UTL. To avoid the risk of injury, do not let any material leaked from a battery come in contact with eyes or skin. Do not expose batteries to excessive heat. Follow battery manufacturers' instructions on proper handling, storage, and disposal of batteries.
13. **CAUTION: Never** place the UTL on its face (bulb down) while ON. The bulb generates intense heat and could cause damage to the M2 UTL or the surface it is on.

M2 UTL COMPONENTS

Exploded View

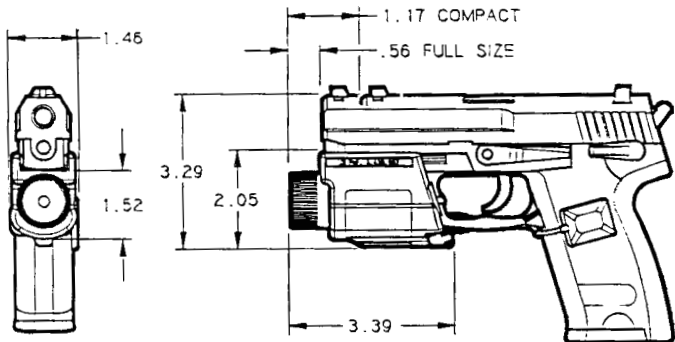


Parts List

<u>Item</u>	<u>Description</u>	<u>Spare Part #</u>
1	UTL Main Body	NA
2	Bezel	CFL-800
3	Bulb	CFL-700
4	O-Ring	HKL-018
5	Slide Latch	HKL-010
6	Spring, Latch	HKL-172
7	Battery Compartment	HKL-159
8	Remote Switch (optional)	CLM-100
9	Remote Switch Plug	HKL-313

M2 UTL SIZE

The ergonomics of the UTL are specifically designed for ease of operation and portability. The UTL fits on both the standard full size USP and USP Compact pistols.

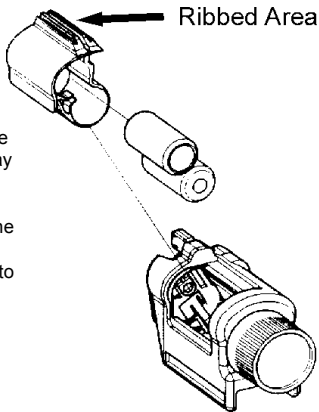


BATTERY INSTALLATION

Removing and Replacing Batteries:

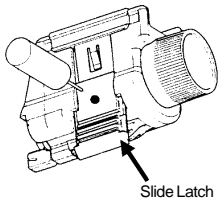
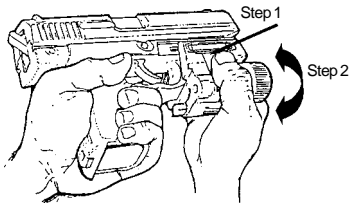
The UTL operates on two 3-volt 123A lithium batteries. For best performance, use Duracell® DL 123A batteries.

1. Position the UTL as displayed.
2. While pressing down on the top of the unit (the ribbed area), tilt the battery compartment away from the UTL and remove.
3. Note positive polarity (+) markings on the battery compartment and install batteries in the direction shown.
4. Install battery compartment (with batteries) into the UTL body and snap closed.

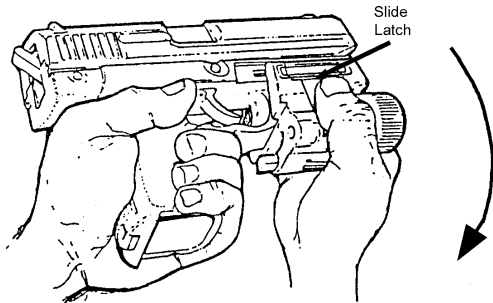


MOUNTING

1. Apply pressure to the slide latch and move downward to unlock.
2. Push the UTL against the bottom mounting bracket and slide it back tight against the trigger guard. A slight rolling action in which the stationary jaw is positioned followed by the moveable jaw is helpful.
3. With UTL firmly in place, slide latch upward into place. If latch does not lock, check alignment with grooves on pistol and repeat procedures. Do not use excessive force.



DISMOUNTING



1. Apply pressure to the slide latch and move downward to unlock.
2. Rotate the UTL as shown to remove it from the pistol.

SWITCH OPERATION

Safety Slide Switch:

OFF position: deactivates to preclude inadvertent operation.

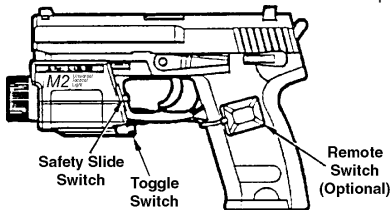
ON position: light is ready for activation by toggle switch or remote switch.

Toggle Switch: Turns ON Illumination

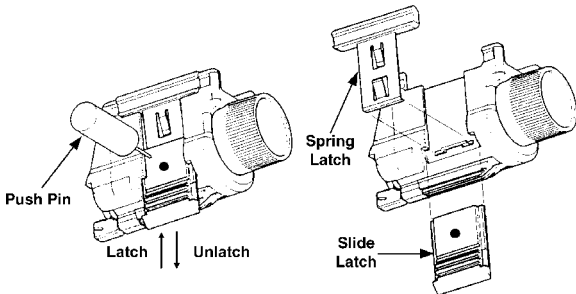
Momentary Operation - push switch to the right, hold to turn light ON. Release toggle to turn light OFF.

Steady-ON Operation - move switch fully to the left side. Light stays ON when finger pressure is released. Move switch back to center position to turn OFF.

Remote Switch: To turn ON, press and hold the button. To turn OFF, release the button. The UTL is shipped with a rubber remote jack plug installed in the remote switch jack. To install the remote, position the switch in a comfortable location on the pistol frame. Clean the area with alcohol, remove the adhesive backing of the Velcro®, and press the Velcro® firmly onto the frame. Remove the jack plug and insert the remote switch. Attach the switch to the Velcro® on the pistol frame.



MAINTENANCE



Latch Cleaning:

1. Apply pressure to the slide latch and move downward to unlock.
2. Insert a push pin or small nail through the hole in the latch to depress retaining spring.
3. Slide the slide latch down and remove, then remove the latch spring.
4. Clean parts by flushing with water, and dry thoroughly.
5. Place latch spring back in position.
6. Slide the slide latch into position in body.

MAINTENANCE

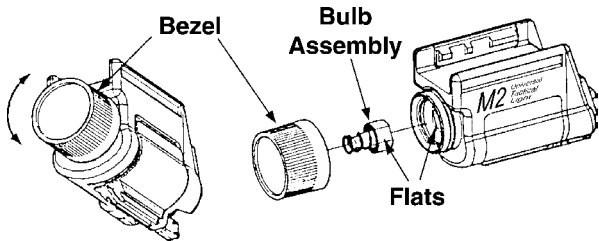
General Cleaning:

1. Clean the UTL by rinsing with clean water or using a mild soap and water, then wipe dry with a soft cloth. Standard gun cleaning solvents (i.e. Hoppes®) may be used to clean stubborn areas. Rinse with clean water to remove residue. Cleaning should be done whenever the UTL becomes dirty, or after exposure to salt water.
2. To clean the illumination window, wipe using a soft cloth with clean water, alcohol, or general purpose window cleaner. NOTE: Rubbing a small amount of oil or lubricating solvent on the exterior glass lens (ONLY) prior to shooting will make post-shooting clean-up of the flashlight lens easier.
3. Clean the electrical contacts with Q-Tips® dipped in alcohol, or for heavier build-up use a pencil eraser.
4. Replacement bulbs, part # CFL-700, can be purchased through the dealer where you purchased your light, or you can contact Insight Technology directly to locate a stocking distributor.

FOCUSING AND BULB REPLACEMENT

Focusable Beam:

Rotate the bezel to adjust beam for desired size. Be careful not to unscrew the bezel from the body.



Bulb Replacement:

1. Dismount the UTL light from the USP pistol and turn it to the OFF position.
2. Rotate bezel counter-clockwise to remove.
3. Pull out bulb assembly and replace with new bulb assembly, making sure the flats on the bulb holder and UTL main body are aligned.
4. Screw the bezel back on taking care to align the recoil spring in the counter-bore of the reflector and not pinching the oring.

NOTE: Fully engage bezel on UTL main body so it does not come loose during firing.

LIMITED WARRANTY
INSIGHT TECHNOLOGY INCORPORATED
12 MONTH LIMITED WARRANTY

Insight Technology Incorporated warrants for 12 months after purchase that its products will be free from defects in material and workmanship. At its sole discretion, Insight Technology Incorporated will either repair or replace, at no charge, any product or part (with the exception of the lamp and battery) which is found to be defective under normal use and service. Insight Technology Incorporated's obligation to repair or replace shall be the purchaser's sole and exclusive remedy under this warranty. The warranty does not cover battery leakage. The battery manufacturer should be contacted in the event of a leak.

This warranty extends only to the original owner. There are no warranties, expressed or implied, other than as set forth on this page, and Insight Technology Incorporated disclaims any warranties of merchantability or fitness for a particular purpose. Insight Technology Incorporated shall not be liable for incidental, consequential or special damages arising out of or in connection with product use or performance. For service or repair, return unit "UPS Prepaid" with a copy of the sales receipt to Insight Technology Incorporated.

PRODUCT REGISTRATION / SERVICE OF THE M2 UTL

To register, mail in a post card with your name, address, telephone number, and date of purchase, along with your pistol model and caliber to:

Insight Technology, Inc.

3 Technology Drive
Londonderry NH 03053
attn: COMMERCIAL SALES

Phone 877.744.4802 Fax 603.647.7234

For service or repair, please call for a Return Material Authorization (RMA) Number before returning unit. Send via "UPS Prepaid" with a copy of the sales receipt and the RMA number clearly marked on the package to the above address.

The exportation of this product falls under the jurisdiction of the U.S. Bureau of Industry and Security and is subject to the Export Administration Regulations.



3 Technology Drive Londonderry NH 03053
Phone 877.744.4802 Fax 603.647.7234
www.insightlights.com