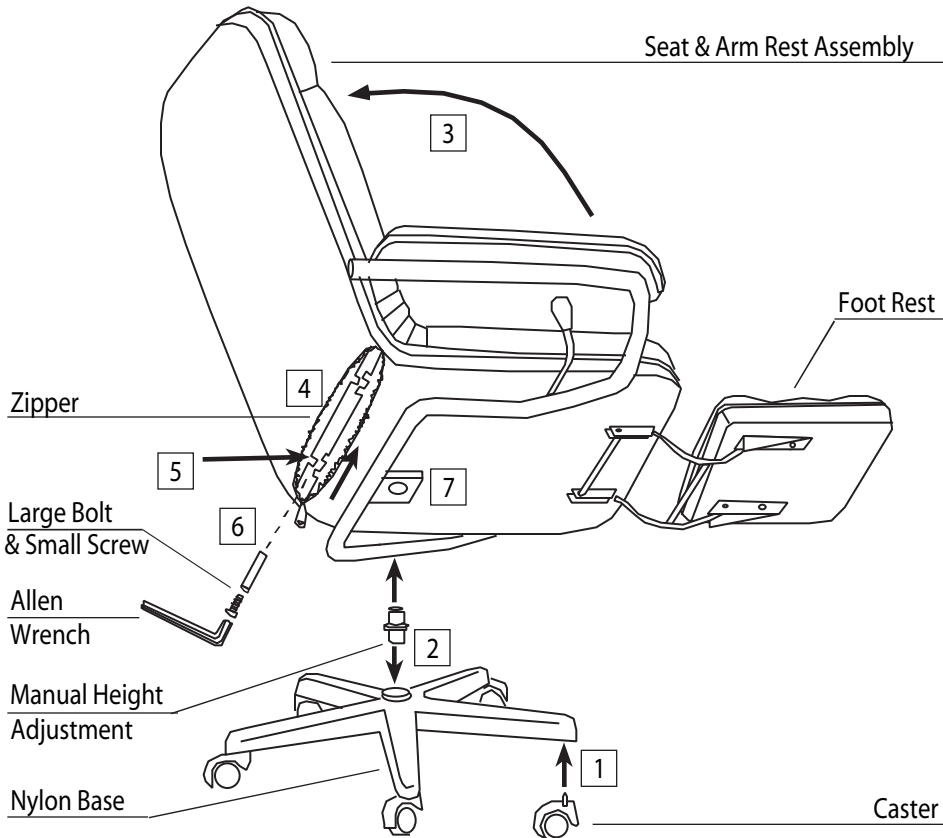


Model 680 Executive Recliner

Assembly Instructions



CONTENTS:

Parts	Qty	Hardware	Qty
Seat & Arm Rest Assembly	1	Large Bolt	2
Foot Rest	1	Small Screw	2
Manual Height Adjustment	1	Allen Wrench	1
Nylon Base	1		
Casters	5		

INSTRUCTIONS:

Before starting, please read instructions carefully.

- Step A** Insert the 5 Casters into the outer holes on the base (1). (We recommend using a rubber hammer.) Then insert the bottom end of the Manual Height Adjustment into the center hole on the base (2).
- Step B** First secure the Seat & Armrest Assembly by lifting the seat back into a flat or vertical position (3). Unzip the back of the seat at the fold (4) if it is zipped. Line up the single well on the back frame between the 2 wells on the seat frame (5) Secure with the 2 large bolts using 2 small screws. Tighten with the Allen Wrench, and close zipper (6).
- Step C** Place the assembled chair body on top of the Manual Height Adjustment (7). (Make sure the top of the Manual Height Adjustment has been properly fitted into the hole in the flange on the bottom of the chair frame.)

ADJUSTMENTS:

- Step A** There are 4 recliner positions. To adjust the back position, push the lever (located on the right as you sit in the chair) outward from the chair seat and push chair back to desired position.

SEE DIAGRAM AT LEFT FOR FOOTREST ADJUSTMENT

ASSEMBLY NOTES:

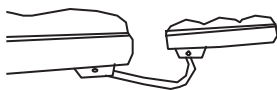
During assembly, hand tighten screws only. When all screws are in place, you may then tighten all screws completely.

- CAUTION:**
1. Do not use this chair as a step ladder.
 2. Check for loose screws and tighten them every 6 months.

TO EXTEND FOOTREST

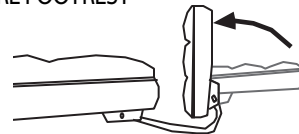


1. With fingertips, find plastic handle under Footrest.

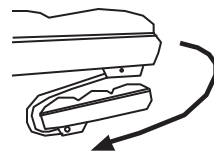


2. Lift Footrest out and up until it locks into position. Swivel footrest forward.

TO STORE FOOTREST



1. Grasp the Footrest in the center and pull forward to a vertical position.



2. Push the Footrest down and backward until it is completely under the seat.



Holly Springs, NC, USA
 800-520-7471 (voice)
 919- 303-6389 (voice)
 919-362-4765 (fax)
 support@ofminc.com
 www.ofminc.com