

# TECHNICAL DATA

## LIBERTY HARDWARE®

MANUFACTURING CORPORATION

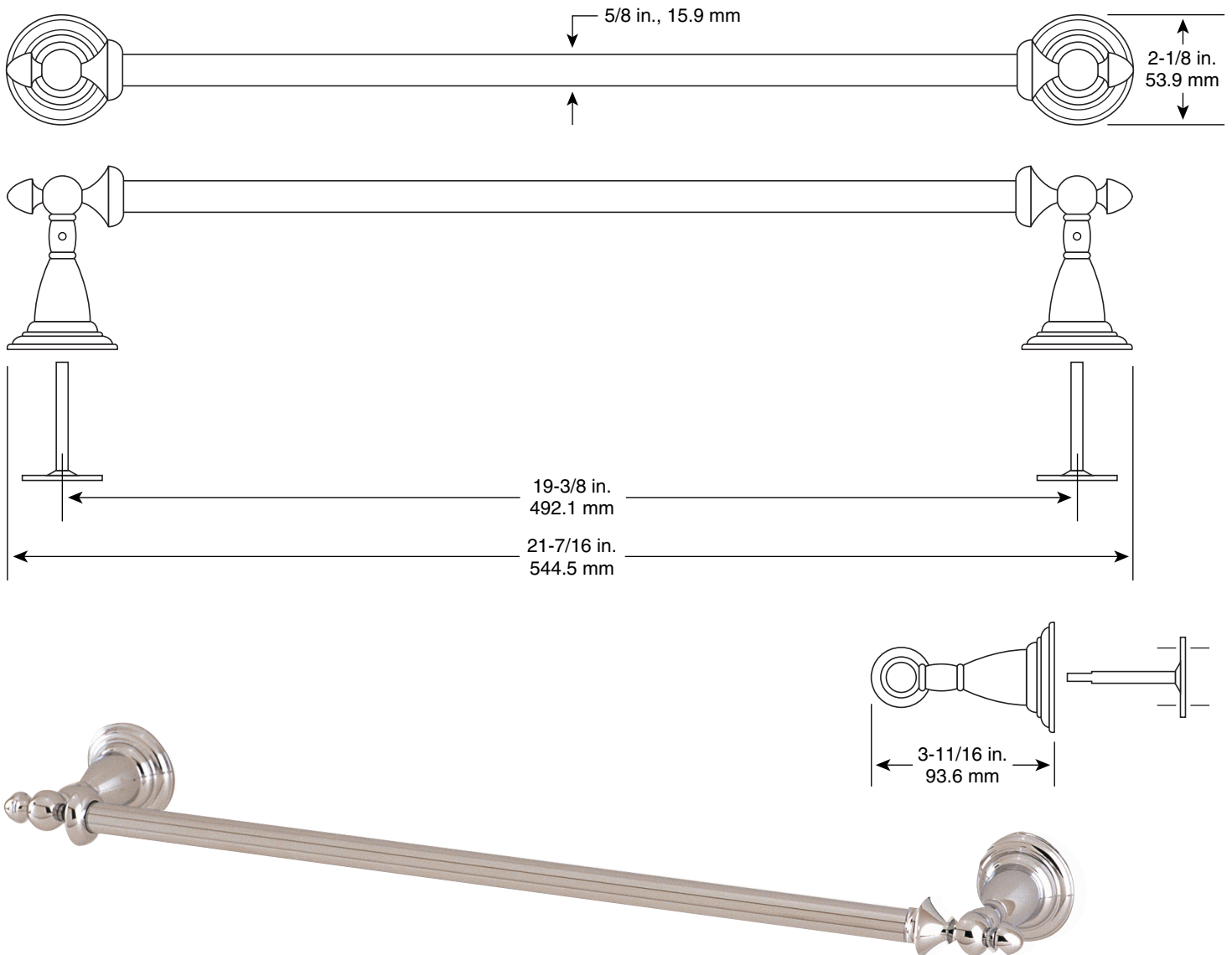
A Masco Company

140 Business Park Drive • Winston-Salem, NC 27107  
800.542.3789 • T 336.769.4077 • F 336.769.1839  
www.libertyhardware.com

## DELTA® VICTORIAN™ COLLECTION

### 18 in. Towel Bar

Model 75018 - Polished Chrome Finish  
Model 75018-CB - Polished Chrome & Polished Brass Finish  
Model 75018-NN - Pearl Nickel Finish  
Model 75018-NP - Pearl Nickel & Polished Brass Finish  
Model 75018-PB - Polished Brass Finish  
Model 75018-PN - Polished Nickel Finish  
Model 75018RB - Venetian Bronze™ Finish  
Model 75018-SS - Stainless Finish



**MATERIALS:** Base plate, bell, and post - zinc die cast  
Bar - brass tube; 26 gage  
Wall plate - steel x 19 gage; zinc plated

**WEIGHT:** 1.73 lbs.

**INSTALLATION:** Mount two wall plates at 19-3/8 in. center-to-center with four #8 x 1-1/4 in. round head, zinc plated steel screws and plastic anchors provided. Slip towel bar posts over wall plates and tighten set screws until secure.

**OPTIONAL FASTENER INFORMATION:** Wood blocking is preferable behind all wall surfaces. If wood blocking is not available, the following fasteners are suggested: tile/masonry - plastic or lead anchors; plaster/drywall - toggle bolts.

**SPECIFICATION:** Surface mounted towel bar shall be model \_\_\_\_\_ (fill in model number) by Liberty Hardware Manufacturing Corporation.