

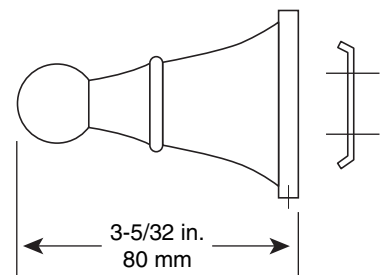
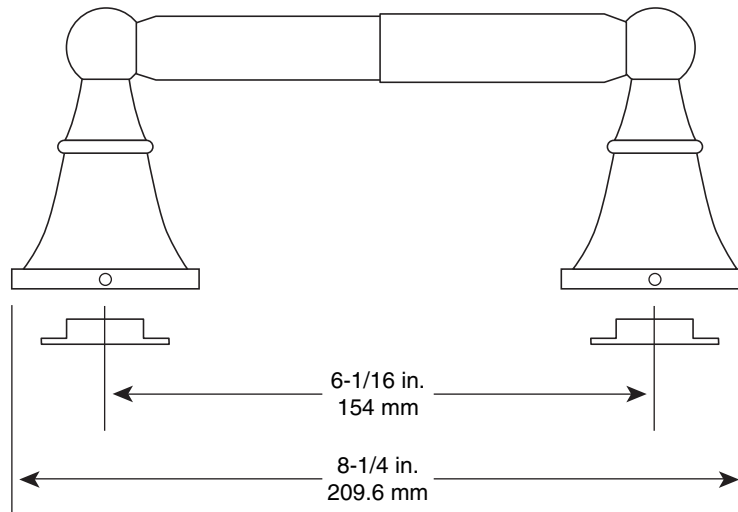
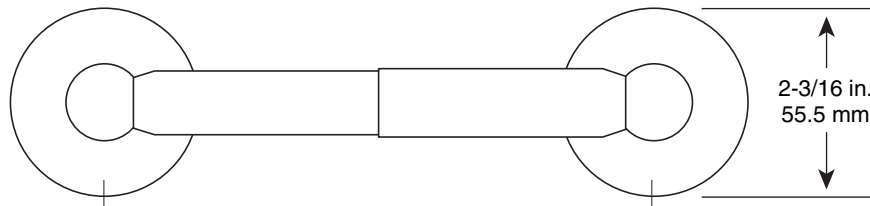
TECHNICAL DATA

LIBERTY HARDWARE®
MANUFACTURING CORPORATION

A Masco Company

140 Business Park Drive • Winston-Salem, NC 27107
800.542.3789 • T 336.769.4077 • F 336.769.1839
www.libertyhardware.com

NOTRA®
Toilet Paper Holder



MATERIALS: Post - zinc die cast
Roller - brass tube
Wall plate - steel x 17 gage; zinc plated

WEIGHT: 1.26 lbs.

INSTALLATION: Mount two wall plates at 6-7/16 in. center-to-center with four #8 x 1-1/4 in. round head, zinc plated steel screws and plastic anchors provided. Slip toilet paper holder posts over wall plates and tighten set screws until secure.

OPTIONAL FASTENER INFORMATION: Wood blocking is preferable behind all wall surfaces. If wood blocking is not available, the following fasteners are suggested: tile/masonry - plastic or lead anchors; plaster/drywall - toggle bolts.

SPECIFICATION: Surface mounted toilet paper holder shall be model _____ (fill in model number) by Liberty Hardware Manufacturing Corporation.