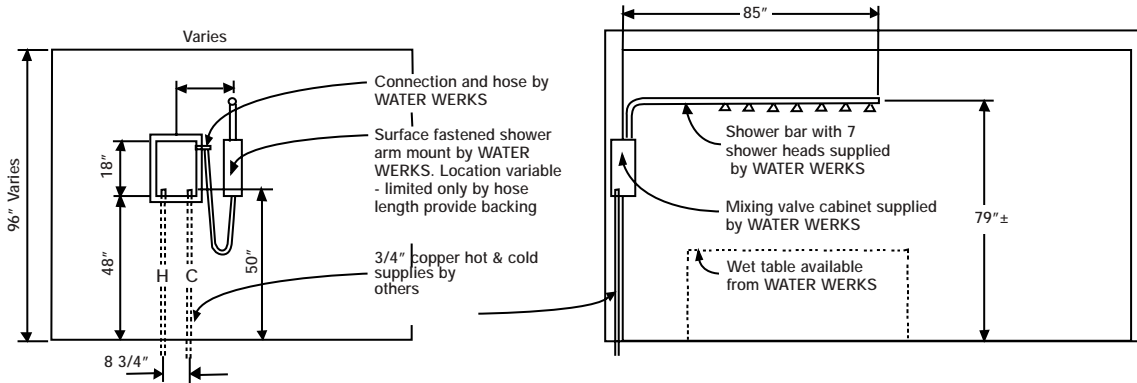


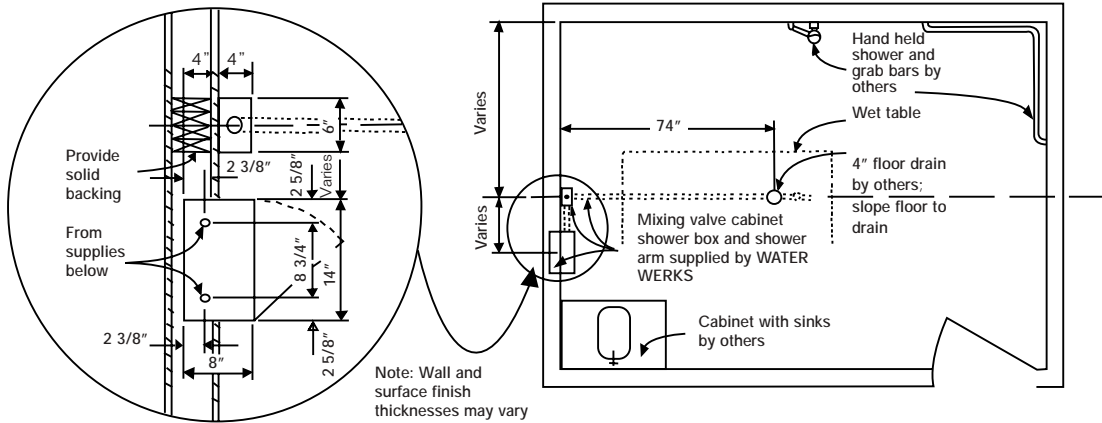
The WATER WERKS Typhoon Vichy Shower System is designed with your clients' specific needs in mind. The seven shower heads deliver a complete massage, while the hand-held system gives more targeted treatment.

With the Typhoon System, you will be able to offer clients a total experience, from hydrotherapy to pressure-point massage. Like all WATER WERKS Showers, the Typhoon is made only with commercial-strength components, giving it the professional qualities and durability that makes all the difference.



Mixing Valve Cabinet
Rough-in Elevation

Typical Cross Section
of Shower System



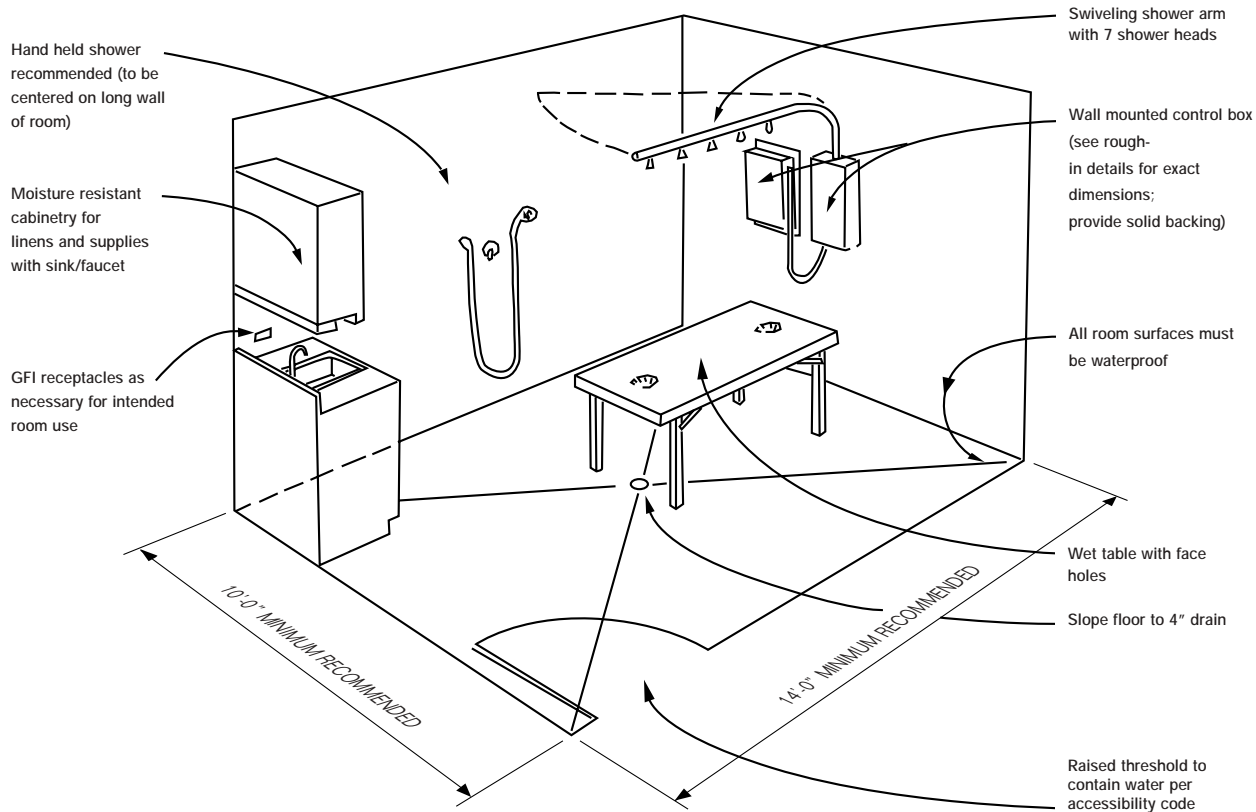
Plan Detail of Mixing Valve
Piping Rough-in

Typical Typhoon Vichy
Shower Room Plan

NOTES

1. Room sizes/shapes and door placements vary with individual job conditions.
2. Sink may be a legal requirement depending upon project location.
3. Slope floor to drain.
4. Provide appropriate backing for secure attachment of wall mounted items.
5. Compliance with all accessibility codes is recommended.

Typical Typhoon Vichy Shower Room Layout



THE WATER WERKS 5 YEAR WARRANTY

WATER WERKS products are warranted to be free of defects in material and workmanship to the original domestic purchaser for five (5) years from the date of purchase as shown on the original invoice. If a defect is found, please contact WATER WERKS at the phone number below for instructions. Defective parts or components that are covered under this warranty must be returned to WATER WERKS insured and shipped pre-paid to the address shown below. WATER WERKS will, at its option, repair or replace the defective part or component. This warranty does not cover labor charges, damage caused by improper installation or modification. This warranty applies only to items that WATER WERKS manufactures.

Be sure to complete and return all warranty cards that come with your WATER WERKS equipment.

To obtain warranty service, contact WATER WERKS either through your dealer, or by calling WATER WERKS Customer Service Department at 952-884-9225. You may also write to us at WATER WERKS, Customer Service Department, 10740 Lyndale Avenue South, Suite 12W, Minneapolis, MN 55420. Please provide all pertinent information regarding your claim such as model type, purchase date, serial number, and type of problem.

There are no other express warranties on this product and ALL WARRANTIES OF MERCHANTABILITY AND WARRANTIES AS TO FITNESS FOR A PARTICULAR PURPOSE AND ANY OTHER IMPLIED WARRANTIES ARE EXPRESSLY DENIED. This warranty gives you specific legal rights, and you may also have other rights which vary from state to state.

The following specific items or components of WATER WERKS equipment come with their own manufacturers' warranties that vary depending on the item:

- The Setma Hydrotherapy Tub and Thalasso Tubs
- The mixing valve in the WATER WERKS Torrent, Monsoon, Cascade, Typhoon, Tsunami, Splash, Mirage and Scots Hose Showers
- The tub components in the WATER WERKS Aquarian and Zephyr Hydrotherapy Tubs
- WATER WERKS Aqua Top

Please refer to warranty cards enclosed with these products for details on the specific warranty terms and conditions for these items.