

<Condensate Trap for Vertical Venting>

A Paloma genuine condensate trap (Part No. 900) for vertical venting is required and must be installed between the water heater collar and the 9301PAL Adapter if you need more than 2 feet vertical run. The maximum length of the vertical run is 16 feet 5 inches. Read the following instruction before installation.

WARNING: Wrap the vent pipe with an insulation material that is at least 3/4" thick.

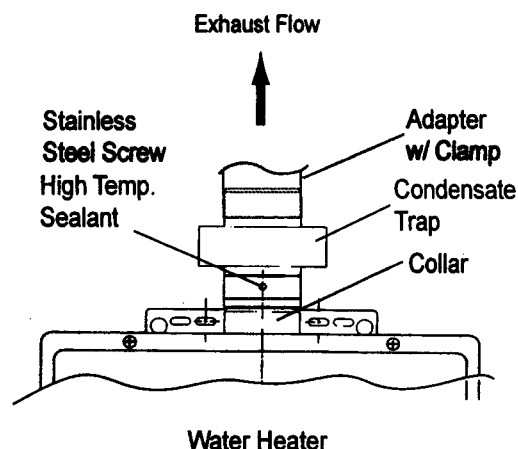
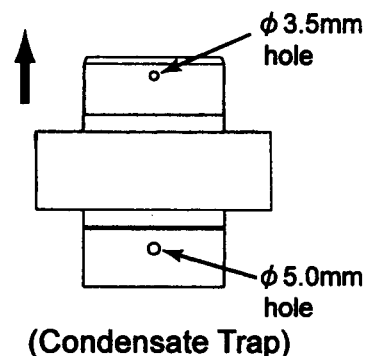
WARNING: The condensate trap for vertical run must be installed before installing the vent adapter.

WARNING: Use only the stainless steel screw or corrosion resistant screw to connect the trap to water heater collar.

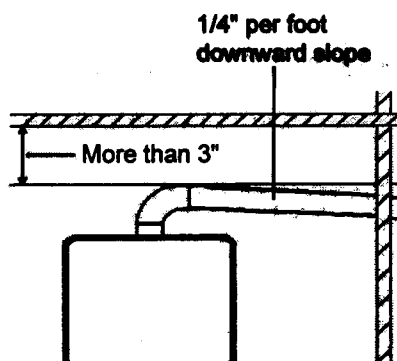
WARNING: Do not make the termination on the roof. Make the horizontal run and termination must be made through the sidewall.

NOTE: The installation must comply with the national codes and local codes.

1. Test fit the condensate trap over water heater collar before proceeding to step 2.
The ϕ 3.5mm hole (smaller hole) must be upward and larger hole (ϕ 5.0mm) must be downward. Do not install it upside down or sideways.
2. With alcohol wipe, clean inside surface of condensate trap and outside surface of heater collar.
3. Apply large bead of high temp. sealant around outside of heater collar.
4. Insert condensate trap end over heater collar. Fix the stainless steel screw (supplied with trap) to ONLY bottom hole (larger ϕ 5.0mm hole) to connect to water heater collar and apply high temp. sealant around the screw.
5. Ensure that condensate trap is not disconnect and the hole is sealed properly.
6. Inspect inside of condensate trap to verify that collar and condensate trap are sealed. If more sealant is required, apply sealant to a flat tool, then spread sealant around collar edge on inside of condensate trap.



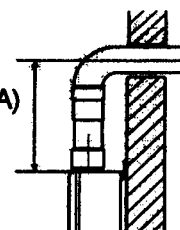
The vent must be installed with a slight downward slope of 1/4" per foot of horizontal run to the vent terminal.



Minimum Vertical Vent Requirement:

The vertical part (A) of the vent pipe should be as short as possible.

Vertical part (A)
Max. 2 feet



*If you install the water heater in a basement, etc. and need more than 2 feet vertical run, follow the instruction above.