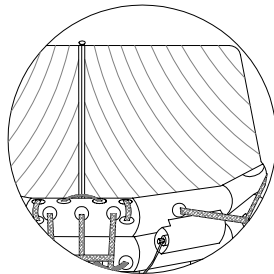




Shown With Optional Equipment
NOT TO SCALE

→
Front View
Closed Canopy



STANDARD EQUIPMENT Includes:

- Twin Buoyancy Tubes
- CO₂/N₂ Inflation System
- Three (3) Position (Closed, Sail & Convertible) Rip-Stop Nylon Canopy w/ Cinch Strap
- Sure-Seal™ Closures w/ #10 YKK Heavy Duty Zippering
- Dual Main Zipper
- Canopy - HD Tripod Arch Tube
- Oversized Front Boarding Entry w/ 4 Rung Boarding Ladder
- Interior Assist Ladder w/ Quick-Release Fittings
- Bowed Boarding Assist Handle
- I2DF™ Inflatable Insulated Double Floor
- Combination Foul Weather Observation Port Hole & Water Collection System w/ Sure-Seal™ Closures
- Water Activated Interior/Exterior Survivor Locator Lights
- Quick-Grab™ Pelican® Magnum MityLite™ Flashlight On Arch
- Auto-Deploying Hemispherical Drogue (Sea-Anchor) w/ 100' Line & Dual Anti-Foul Swivels
- 100' Floating Heaving Trailing Line w/ Buoyant Throwing Handle
- 50' Painter Line w/ Quick-Release Fittings
- Heavy Duty EZGrip™ Righting Line w/ Contrasting Bowed Hand Grips
- Unidirectional Retro/Radar Reflective Segment Across Arch
- Unidirectional Retro Reflective Segments Under Life Raft & On Canopy
- Pentagonal Ballast System™
- 1" Exterior Lifelines & Interior Grasp Lines
- Pressure Relief Valves
- Topping-Up Valves
- Urethane Valise
- Ultima Wrap™ Vacuum Seal (3 yr. Protection)
- Survival Equipment Package (As Listed Below)

WINSLOW Model #	Rated Capacity	Pelican Pac™ Dimensions			Life Raft Weight	Life Raft Investment
		H	x W	x L		
40ULO	4	9.5"	x 14"	x 24"	32 lbs	\$3500.00
60ULO	6	10"	x 15"	x 24"	36 lbs	\$3725.00
80ULO	8	10"	x 16"	x 24.5"	40 lbs	\$3975.00

Weights Are Approximate

Survival Equipment Package Includes:

- ① Manual Inflation Pump – Spring Loaded Return w/ Adapter
- ① Repair Kit (Includes: Repair Clamp (5"), Repair Clamp (3") & 2 PRV Plugs w/ Tether)
- ① Collapsible Bailer Bucket w/ Handle
- ② Paddles w/Retro Reflective Segments
- ② Sponges
- ① Signal Mirror (2"x3")
- ③ USCG Aerial Meteor Flares
- ③ USCG Hand Held Locator Flares
- ① Raft Knife
- ① Utility Knife (SS Locking Blade)
- ① Survival Manual

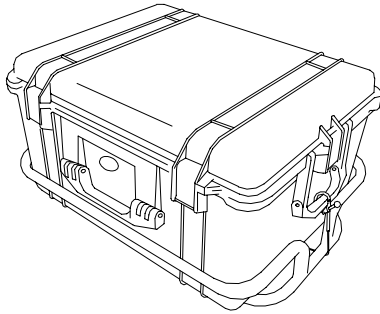


Available Optional Equipment

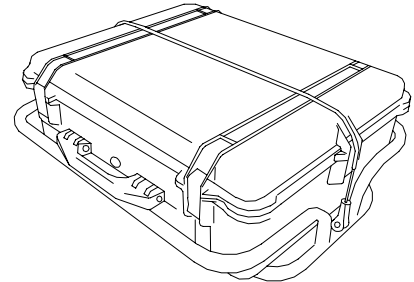
Fixed Life Raft Equipment		
Canopy Mounted Strobe		\$158.00
Lifelines/Grasplines - Heavy Duty 2"- Upgrade		\$75.00
StoreSafe™ Dry Survival Gear Stow Pockets (5)		\$140.00
Stability Aids		
Righting Ladder - w/ Contrasting Bowed Rungs -Upgrade		\$75.00
Life Raft Pack Options		
Canister & Cradle Assembly, UV Inhibiting		\$598.00
Canister & Railmount Assembly, UV Inhibiting		\$795.00
Canister - Hydrostatic Release		\$180.00
Valise - Additional Handles (Set of Two)		\$35.00
Valise Custom Dimensional Packing		\$392.00
WINSLOW® Pelican® Pac™ 4 or 6 Person		\$230.00
WINSLOW® Pelican® Pac™ 8 Person		\$310.00
WINSLOW® Pelican® Pac™ SS Cradle (Coastal/Offshore)		\$298.00
Electronic Devices		
406 EPIRB		\$749.00
406 GPIRB		\$1149.00

Signaling Devices		
Cyalume Stick (Red)		\$5.00
Flare - Parachute USCG/SOLAS		\$54.00
Flare - Red Hand Held Locator - USCG/SOLAS		\$16.00
Flare Upgrade (USCG/SOLAS Hand Held Locator Flares)		\$27.00
Rescue Streamer™ High Visibility Ribbon (11" x 40')		\$85.00
First Aid Equipment		
First Aid Kit (USCG) - Upgrade		\$39.00
Multi-Purpose Poly Bag (18" x 13" x 6 Mil)		\$1.00
Hypothermia Protection		
Thermal Protection Aid - Reflective Blanket		\$19.00
Fishing Kit (USCG) - Upgrade		\$29.00
Watermaker – Reverse Osmosis		\$845.00
Playing Cards (Waterproof)		\$3.00
Inflate-A-Potty w/ 3 Inserts		\$45.00
Repair Equipment		
Repair Clamp, Mil Spec - 3" (Additional)		\$18.00
Repair Clamp, Mil Spec - 5"		\$24.00

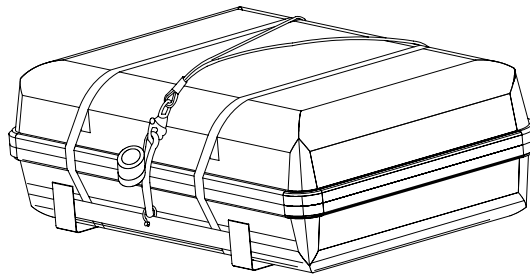
WINSLOW® LifeRaft Company reserves the right to substitute comparable brands when necessary.



WINSLOW® Pelican® Pac™ 8 Person Ultra Light Offshore
With Cradle As Shown Above: 25" x 20 ½" x 16 ¼"
Without Cradle: 25" x 20" x 14"



WINSLOW® Pelican® Pac™ 4 or 6 Person Ultra Light Offshore
With Cradle As Shown Above: 25 ½" x 22" x 10 ½"
Without Cradle: 23 ¼" x 19 ¾" x 9"



Low Profile Traditional Marine Canister, UV Inhibiting
With Cradle & Hydrostatic Release As Shown Above: 25" x 25.5" x 14 ½"
Without Cradle: 25" x 25.5" x 12 ½"
With Cradle: 25" x 25.5" x 14 ½"

(800) 838-3012 ~ Fax (941) 613-6677

www.winslowliferaft.com ~ rafts@winslowliferaft.com

IF THIS DOCUMENT HAS BEEN TRANSFERRED TO YOU ELECTRONICALLY, WINSLOW® RETAINS THE OFFICIAL RECORD. SUBSEQUENT ALTERATIONS WILL BE DISREGARDED. RATES SUBJECT TO CHANGE WITHOUT NOTICE.