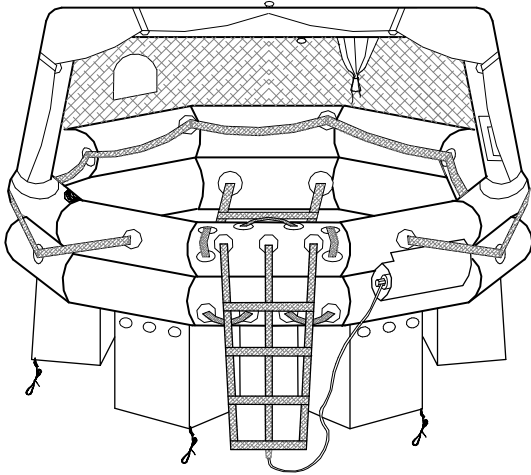
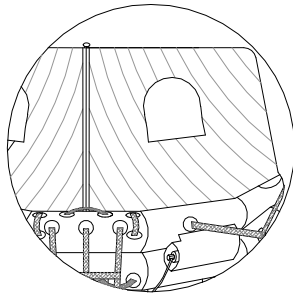


STANDARD EQUIPMENT Includes:

- CO₂/N₂ Inflation System w/ Twin Oversized Buoyancy Tubes
- Three (3) Position (Closed, Sail & Convertible) Heavy Duty, Dual Color Canopy w/ Cinch Strap
- Sure-Seal™ Closures w/ #10 YKK Heavy Duty Zippering
- Dual Main Zipper w/ Ventilation Tie Backs
- Single Arch, Auto Inflatable, Canopy Support System
- Oversized Front Boarding Entry w/ 4 Rung Boarding Ladder
- Interior Assist Ladder w/ Quick-Release Fittings
- Two (2) Front Viewing Ports - Fixed
- One (1) Rear Viewing Port - Fixed
- Three (3) Bowed Boarding Assist Handles
- Front Boarding Stirrups
- Combination Foul Weather Observation Port Hole & Water Collection System w/ Sure-Seal™ Closures
- Water Activated Interior/Exterior Survivor Locator Lights
- I2DF™ Inflatable Insulated Double Floor
- Quick-Grab™ Pelican® Magnum MityLite™ Flashlight On Arch
- Auto-Deploying Hemispherical Drogue (Sea-Anchor) w/ 100' Line & Dual Anti-Foul Swivels
- 100' Floating Heaving Trailing Line w/ Buoyant Throwing Handle
- 50' Painter Line w/ Quick-Release Fittings
- Heavy Duty EZGrip™ Righting Line w/ Contrasting Bowed Hand Grips
- Unidirectional Retro/Radar Reflective Segment Across Arch
- Unidirectional Retro Reflective Segments Under Life Raft & On Canopy
- Cape Horn Ballast System™
- 1" Exterior Lifelines & Interior Grasp Lines
- Five (5) StoreSafe™ Dry Survival Gear Stow Pockets
- Pressure Relief Valves
- Topping-Up Valves
- UltimaWrap™ Vacuum Seal (3 yr. Protection)
- Urethane Valise
- Basic Offshore Survival Equipment Package As Listed Below



NOT TO SCALE



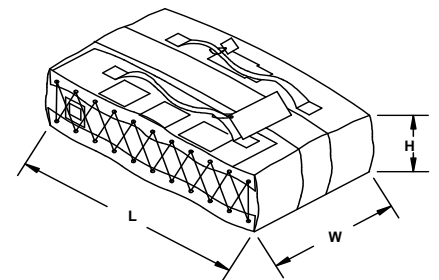
→
Front View
Closed Canopy
w/ Clear, Fixed
View Ports

WINSLOW Model #	Rated Capacity	Dimensions				Weight	Life Raft Investment	
		H	x	W	x			L
40SLPO	4	8"	x	17"	x	35"	47 lbs	\$4895.00
60SLPO	6	8"	x	17"	x	36"	59 lbs	\$4995.00
80SLPO	8	8.5"	x	18"	x	36"	70 lbs	\$5295.00
100SLPO	10	9"	x	18"	x	36"	84 lbs	\$5595.00
120SLPO	12	10"	x	19"	x	36"	96 lbs	\$5895.00

Weights Are Approximate

Basic Offshore Survival Equipment Package Includes:

- ① Manual Inflation Pump – Spring Loaded Return w/ Adapter
- ① Repair Kit (Includes: Repair Tape, Repair Clamp (3") & 2 PRV Plugs w/ Tether)
- ① Collapsible Bailer Bucket w/ Handle
- ② Sponges
- ① Magnetic Compass
- ② Paddles w/ Retro Reflective Segments
- ① Signal Mirror (3" x 5")
- ① USCG/SOLAS Whistle
- ① Extended Life Flashlight (Sealed Case)
- ② Spare Alkaline Batteries & Spare Xenon Bulb Assembly for Magnum MityLite™
- ③ USCG Aerial Meteor Flares
- ③ USCG Hand Held Locator Flares
- ① Orange Smoke Signal
- ① Rescue Streamer™ Ribbon (6" x 25')
- ① Retaining Line (75')
- ① Sea Dye Marker
- Water Rations (16oz./Person)
- Food Ration Bars (1000 Cal./Person)
- Anti-Seasickness Tablets (6/Person)
- Sun Block (Minimum 30SPF)
- ① First Aid Kit
- ① Fishing Kit
- Nitrile Gloves (1 Pair/2 Person)
- ① Raft Knife
- ① Utility Knife (SS Lockback)
- ① Drinking Cup
- ① Bible
- ① Water Storage Bag
- ① Survival Manual
- ① Oral Inflation Tube



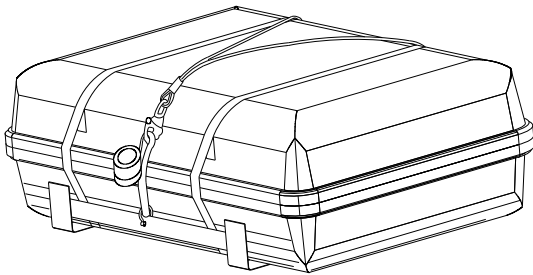
NOT TO SCALE

Available Optional Equipment

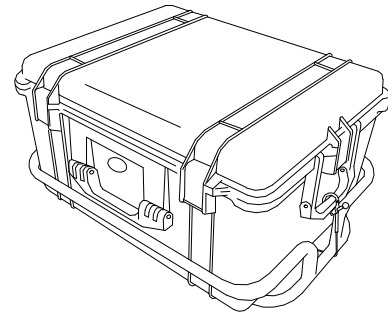
Fixed Life Raft Equipment	
Canopy - HD Tripod Arch Tube	\$92.00
Canopy Mounted Strobe	\$158.00
Lifelines/Grasplines - Heavy Duty 2"- Upgrade	\$75.00
Boarding Platform	\$275.00
Stability Aids	
Righting Ladder - w/ Contrasting Bowed Rungs -Upgrade	\$75.00
Life Raft Pack Options	
Canister & Cradle Assembly, UV Inhibiting	\$598.00
Canister & Railmount Assembly, UV Inhibiting	\$795.00
Canister - Hydrostatic Release	\$180.00
Valise - Additional Handles (Set of Two)	\$35.00
Valise Custom Dimensional Packing	\$392.00
WINSLOW® Pelican® Pac™ 4 or 6 Person Offshore (P/N 430)	\$310.00
WINSLOW® Pelican® Pac™ SS Cradle (Coastal/Offshore)	\$298.00
Electronic Devices	
406 EPIRB	\$749.00
406 GPIRB	\$1149.00
Repair Equipment	
Repair Clamp, Mil Spec - 3" (Additional)	\$18.00
Repair Clamp, Mil Spec - 5"	\$24.00

Signaling Devices	
Cyalume Stick (Red)	\$5.00
Flare - Parachute USCG/SOLAS	\$54.00
Flare - Red Hand Held Locator - USCG/SOLAS	\$16.00
Flare Upgrade (USCG/SOLAS Hand Held Locator Flares)	\$27.00
Rescue Streamer™ High Visibility Ribbon (11" x 40')	\$85.00
First Aid Equipment	
First Aid Kit (USCG) - Upgrade	\$39.00
Multi-Purpose Poly Bag (18" x 13" x 6 Mil)	\$1.00
Hypothermia Protection	
Thermal Protection Aid - Reflective Blanket	\$19.00
Miscellaneous Survival Supplies	
Fishing Kit (USCG) - Upgrade	\$29.00
Watermaker – Reverse Osmosis	\$625.00
Playing Cards (Waterproof)	\$3.00
Inflate-A-Potty w/ 3 Inserts	\$45.00

WINSLOW® LifeRaft Company reserves the right to substitute comparable brands when necessary.



USCG SPEC Low Profile Traditional Marine Canister, UV Inhibiting
 With Cradle & Hydrostatic Release As Shown Above: 25" x 34" x 14 ½" (P/N 520)
 Without Cradle: 25" x 34" x 12 ½" (P/N 510)
 With Cradle: 25" x 34" x 14 ½" (P/N 500)



WINSLOW® Pelican® Pac™ 4 or 6 Person Offshore
 With Cradle As Shown Above: 25" x 20 ½" x 16 ¼" (P/N 440)
 Without Cradle: 25" x 20" x 14" (P/N 430)



Dealer
Information