

NOT TO SCALE

STANDARD EQUIPMENT Includes:

- CO₂/N₂ Inflation System w/ Twin Oversized Buoyancy Tubes
- Three (3) Position (Closed, Sail & Convertible) Heavy Duty, Dual Color Canopy
- Sure-Seal™ Closures w/ #10 YKK Heavy Duty Zippering
- Dual Main Zipper w/ Canopy Tie backs
- One (1) 360° Foul Weather Observation Port Hole w/ Sure-Seal™ Closures
- One (1) Independent Rain Water Collection System w/ Sure-Seal™ Closures
- Tripod Arch, Auto Inflatable, Canopy Support System w/ Stay Erect Arch Support Valve System
- I2DF™ Inflatable Insulated Double Floor
- Oversized Front Boarding Entry With Inflatable Boarding Platform
- Interior Assist Ladder w/ Quick-Release Fittings (Two (2) On 10 Person)
- One (1) Rear Boarding Door & 4 Rung Weighted Boarding Ladder (10 Person Only)
- Three (3) Bowed Front Boarding Assist Handles
- One (1) Bowed Rear Boarding Assist Handle (On 10 Person Only)
- One (1) Manually Controlled Exterior Survivor Locator Light
- S.A.R.T. (Survival Craft Radar Transponder) Pocket
- Quick-Grab™ Pelican® Magnum MityLite™ Flashlight On Arch
- Auto-Deploying Streaming Drogue (Sea-Anchor) w/ 100' Line & Anti-Foul Swivel
- 100' Floating Heaving Trailing Line w/ Buoyant Throwing Handle w/ Reusable Throwing Sock
- 30' ISAF Compliant Painter Line
- Heavy Duty EZGrip™ Righting Line w/ Contrasting Bowed Hand Grips
- Unidirectional Retro/Radar Reflective Segment Across Arch
- Unidirectional Retro Reflective Segments Under Life Raft & On Canopy
- Decagonal Ballast System
- 1" Exterior Lifelines & Interior Grasp Lines
- Two (2) StoreSafe™ Clear Heavy Duty Dry Survival Gear Storage Pockets
- Pressure Relief Valves
- Topping-Up Valves
- Urethane Valise
- ISAF Compliant Survival Equipment Package as listed below
- UltimaWrap™ Vacuum Seal (3 year protection)

WINSLOW Model #	Rated Capacity	Dimensions			Weight	Life Raft Investment
		H	x W	x L		
60SLSF	6	8"	x 18"	x 36"	69 lbs*	\$4995.00
100SLSF	10	10"	x 18.5"	x 37"	88 lbs*	\$6495.00

* Weights Are Approximate

ISAF Compliant Survival Equipment Package Includes:

- 1 Manual Inflation Pump
Spring Loaded Return w/ Adapter
- 1 Repair Kit (Includes: Repair Tape, 6 Repair Clamps (3") & 2 PRV Plugs w/ Tether)
- 1 Collapsible Bailer Bucket w/ Handle
- Sponges (1/Person)
- 2 Paddles w/ Retro Reflective Segments
- 1 Signal Mirror (3" x 5")
- 2 Extended Life Flashlight (Sealed Case)
- 3 SOLAS Hand Held Locator Flares
- Seasick Bags (1/Person)
- Anti-Seasickness Tablets (6/Person)
- 2 Sun Block (Minimum 30SPF)
- 1 Sun Burn Treatment Cream
- 1 First Aid Kit
- 1 Raft Safety Knife
- 1 Survival Manual
- 2 Thermal Protection Aids
- 1 Wet Notebook w/ Pencil
- 1 Oral Inflation Tube

Optional ISAF Survival Equipment Package Includes:

- 1 Magnetic Compass
- 1 USCG/SOLAS Whistle
- 2 Spare Alkaline Batteries & Spare Xenon Bulb Assembly for Magnum MityLite™
- 3 USCG Aerial Meteor Flares
- 1 Orange Smoke Signal
- 1 Rescue Streamer™ Ribbon (6" x 25')
- 1 Retaining Line (75')
- 1 Sea Dye Marker
- Water Rations (16oz./Person)
- Food Ration Bars (1000 Cal./Person)
- 1 Fishing Kit
- Nitrile Gloves (1 Pair/2 Person)
- 1 Utility Knife (SS Lockback)
- 1 Drinking Cup
- 1 Water Storage Bag

(800) 838-3012 ~ Fax (941) 613-6677

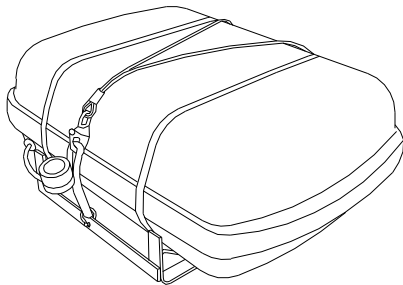
www.winslowliferaft.com ~ rafts@winslowliferaft.com

Available Optional Equipment

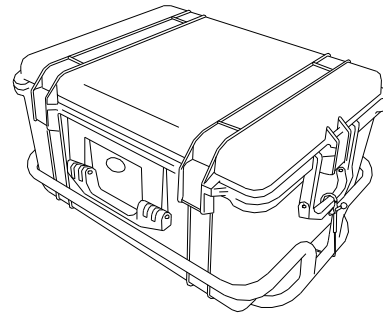
Fixed Life Raft Equipment	
Canopy Mounted Strobe	\$158.00
Lifelines/Grasplines - Heavy Duty 2"- Upgrade	\$75.00
Stability Aids	
Righting Ladder - w/ Contrasting Bowed Rungs - Upgrade	\$75.00
Life Raft Pack Options	
Canister & Cradle Assembly, UV Inhibiting	\$598.00
Canister & Rail Mount Assembly, UV Inhibiting	\$795.00
Canister - Hydrostatic Release	\$180.00
Valise - Additional Handles (Set of Two)	\$35.00
Valise Custom Dimensional Packing	\$392.00
WINSLOW® Pelican® Pac™ 6 Person ISAF (P/N 430)	\$310.00
WINSLOW® Pelican® Pac™ SS Cradle (Offshore)	\$298.00
Electronic Devices	
406 GPIRB	\$1149.00
406 EPIRB	\$749.00
S.A.R.T. (Survival Craft Radar Transponder)	\$855.00
Repair Equipment	
Repair Clamp, Mil Spec - 3" (Additional)	\$18.00
Repair Clamp, Mil Spec - 5"	\$24.00

Signaling Devices	
Cyalume Stick (Red)	\$5.00
Flare - Parachute USCG/SOLAS	\$54.00
Flare - Red Hand Held Locator - USCG/SOLAS	\$16.00
Flare Upgrade (USCG/SOLAS Hand Held Locator Flares)	\$27.00
Rescue Streamer™ High Visibility Ribbon (11" x 40')	\$85.00
First Aid Equipment	
First Aid Kit (USCG) - Upgrade	\$39.00
Hypothermia Protection	
Thermal Protection Aid - Reflective Blanket	\$19.00
Food/Water Supplies	
Fishing Kit (USCG) - Upgrade	\$29.00
Watermaker – Reverse Osmosis	\$625.00
Playing Cards (Waterproof)	\$3.00
Optional ISAF Survival Equipment Package	\$275.00

WINSLOW® LifeRaft Company reserves the right to substitute comparable brands when necessary.



USCG SPEC Low Profile Traditional Marine Canister, UV Inhibiting
 With Cradle & Hydrostatic Release
 As Shown Above: 25" x 34" x 14 1/2" (P/N 520)
 Without Cradle: 25" x 34" x 12 1/2" (P/N 510)
 With Cradle: 25" x 34" x 14 1/2" (P/N 500)



WINSLOW® Pelican® Pac™ 6 Person ISAF
 With Cradle As Shown Above: 25" x 20 1/2" x 16 1/4" (P/N 440)
 Without Cradle: 25" x 20" x 14" (P/N 430)



(800) 838-3012 ~ Fax (941) 613-6677

www.winslowliferaft.com ~ rafts@winslowliferaft.com

IF THIS DOCUMENT HAS BEEN TRANSFERRED TO YOU ELECTRONICALLY, WINSLOW® RETAINS THE OFFICIAL RECORD. SUBSEQUENT ALTERATIONS WILL BE DISREGARDED. RATES SUBJECT TO CHANGE WITHOUT NOTICE.