

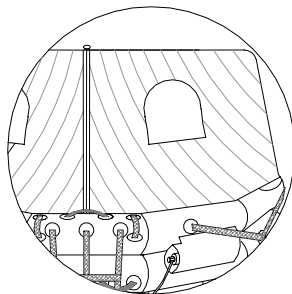
Super-Light™ Offshore Plus™

STANDARD EQUIPMENT Includes:

- CO₂/N₂ Inflation System w/ Twin Oversized Buoyancy Tubes
- Three (3) Position (Closed, Sail & Convertible) Heavy Duty, Dual Color Canopy w/ Cinch Strap
- Sure-Seal™ Closures w/ #10 YKK Heavy Duty Zippering
- Dual Main Zipper w/ Ventilation Tie Backs
- Canopy - HD Tripod Arch Tube
- I2DF™ Inflatable Insulated Double Floor
- Oversized Front Boarding Entry w/ 4 Rung Boarding Ladder
- Interior Assist Ladder w/ Quick-Release Fittings
- Two (2) Front Viewing Ports - Fixed
- One (1) Rear Viewing Port - Fixed
- Three (3) Bowed Boarding Assist Handles
- Front Boarding Stirrups
- Combination Foul Weather Observation Port Hole & Water Collection System w/ Sure-Seal™ Closures
- Water Activated Interior/Exterior Survivor Locator Lights
- Quick-Grab™ Pelican® Magnum MityLite™ Flashlight On Arch
- Auto-Deploying Hemispherical Drogue (Sea-Anchor) w/ 100' Line & Dual Anti-Foul Swivels
- 100' Floating Heaving Trailing Line w/ Buoyant Throwing Handle
- 50' Painter Line w/ Quick-Release Fittings
- Heavy Duty EZGrip™ Righting Line w/ Contrasting Bowed Hand Grips
- Unidirectional Retro/Radar Reflective Segment Across Arch
- Unidirectional Retro Reflective Segments Under Life Raft & On Canopy
- Cape Horn Ballast System™
- 1" Exterior Lifelines & Interior Grasp Lines
- Pressure Relief Valves
- Topping-Up Valves
- Urethane Valise
- Ultima Wrap™ Vacuum Seal (3 yr. Protection)
- Basic Offshore Survival Equipment Package As Listed Below



NOT TO SCALE



→
Front View
Closed Canopy
w/ Clear, Fixed
View Ports

WINSLOW Model #	Rated Capacity	Dimensions			Weight	Life Raft Investment
		H	x W	x L		
40SLOP	4	10.5"	x 16"	x 21"	42 lbs	\$4535.00
60SLOP	6	10.5"	x 16"	x 22"	53 lbs	\$4885.00
80SLOP	8	12"	x 17"	x 25"	64 lbs	\$5295.00
100SLOP	10	11"	x 18"	x 31"	77 lbs	\$5620.00
120SLOP	12	10"	x 19"	x 36"	89 lbs	\$6265.00

Weights Are Approximate

Basic Offshore Survival Equipment Package Includes:

- Manual Inflation Pump – Spring Loaded Return w/ Adapter
- Repair Kit (Includes: Repair Clamp (5"), Repair Clamp (3") & 2 PRV Plugs w/ Tether)
- Collapsible Bailer Bucket w/ Handle
- Sponges
- Magnetic Compass
- Paddles w/ Retro Reflective Segments
- Signal Mirror (3"x5")
- USCG/SOLAS Whistle
- Flashlight (AA Batteries)
- Spare Alkaline Batteries & Spare Xenon Bulb Assembly for Magnum MityLite™
- USCG Aerial Meteor Flares
- USCG Hand Held Locator Flares
- Orange Smoke Signal
- Rescue Streamer™ Ribbon (6" x 25')
- Retaining Line (75')
- Sea Dye Marker
- Water Rations (16oz./Person)
- Food Ration Bars (1000 Cal./Person)
- Anti-Seasickness Tablets (6/Person)
- Sun Block (Minimum 30SPF)
- First Aid Kit
- Fishing Kit
- Nitrile Gloves (1 Pair/2 Person)
- Raft Knife
- Utility Knife (SS Locking Blade)
- Drinking Cup
- Water Storage Bag
- Survival Manual
- Magnifier



NOT TO SCALE

(800) 838-3012 ~ Fax (941) 613-6677

www.winslowliferaft.com ~ rafts@winslowliferaft.com

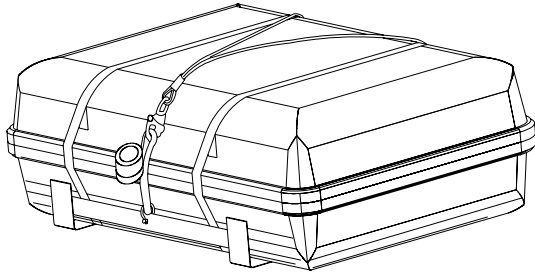
IF THIS DOCUMENT HAS BEEN TRANSFERRED TO YOU ELECTRONICALLY, WINSLOW® RETAINS THE OFFICIAL RECORD. SUBSEQUENT ALTERATIONS WILL BE DISREGARDED. RATES SUBJECT TO CHANGE WITHOUT NOTICE.

Available Optional Equipment

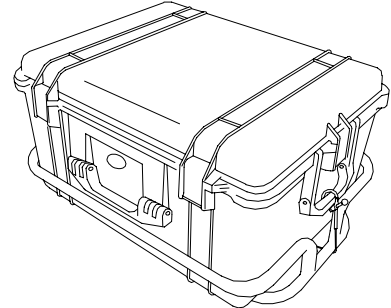
Fixed Life Raft Equipment	
Canopy Mounted Strobe	\$158.00
Lifelines/Grasplines - Heavy Duty 2"- Upgrade	\$75.00
StoreSafe™ Dry Survival Gear Stow Pockets (5)	\$140.00
Boarding Platform	\$275.00
Stability Aids	
Righting Ladder - w/ Contrasting Bowed Rungs -Upgrade	\$75.00
Life Raft Pack Options	
Canister & Cradle Assembly, UV Inhibiting	\$598.00
Canister & Railmount Assembly, UV Inhibiting	\$795.00
Canister - Hydrostatic Release	\$180.00
Valise - Additional Handles (Set of Two)	\$35.00
Valise Custom Dimensional Packing	\$392.00
WINSLOW® Pelican® Pac™ 4 or 6 Person Offshore (P/N 430)	\$310.00
WINSLOW® Pelican® Pac™ SS Cradle (Coastal/Offshore)	\$298.00
Electronic Devices	
406 EPIRB	\$749.00
406 GPIRB	\$1149.00

Signaling Devices	
Cyalume Stick (Red)	\$5.00
Flare - Parachute USCG/SOLAS	\$54.00
Flare - Red Hand Held Locator - USCG/SOLAS	\$16.00
Flare Upgrade (USCG/SOLAS Hand Held Locator Flares)	\$27.00
Rescue Streamer™ High Visibility Ribbon (11" x 40')	\$85.00
First Aid Equipment	
First Aid Kit (USCG) - Upgrade	\$39.00
Multi-Purpose Poly Bag (18" x 13" x 6 Mil)	\$1.00
Hypothermia Protection	
Thermal Protection Aid - Reflective	\$19.00
Fishing Kit (USCG) - Upgrade	\$29.00
Watermaker – Reverse Osmosis	\$845.00
Playing Cards (Waterproof)	\$3.00
Inflate-A-Potty w/ 3 Inserts	\$45.00
Repair Equipment	
Repair Clamp, Mil Spec - 3" (Additional)	\$18.00
Repair Clamp, Mil Spec - 5"	\$24.00

WINSLOW® LifeRaft Company reserves the right to substitute comparable brands when necessary.



Low Profile Traditional Marine Canister, UV Inhibiting
 With Cradle & Hydrostatic Release As Shown Above: 25" x 34" x 14 ½"
 Without Cradle: 25" x 34" x 12 ½"
 With Cradle: 25" x 34" x 14 ½"



WINSLOW® Pelican® Pac™ 4 or 6 Person Offshore
 With Cradle As Shown Above: 25" x 20 ½" x 16 ¼"
 Without Cradle: 25" x 20" x 14"



(800) 838-3012 ~ Fax (941) 613-6677
www.winslowliferaft.com ~ rafts@winslowliferaft.com

IF THIS DOCUMENT HAS BEEN TRANSFERRED TO YOU ELECTRONICALLY, WINSLOW® RETAINS THE OFFICIAL RECORD. SUBSEQUENT ALTERATIONS WILL BE DISREGARDED. RATES SUBJECT TO CHANGE WITHOUT NOTICE.

9/04 REV. A